

NOTES:

1. MATERIALS & FINISHES:

BODY - BERYLLIUM COPPER, GOLD PLATED  
 CONTACT - BERYLLIUM COPPER, GOLD PLATED  
 INSULATOR - PTFE, NATURAL

2. ELECTRICAL:

A. FREQUENCY RANGE = DC TO 40 GHz  
 B. VSWR = 1.20:1 MAX AT DC-10 GHz  
 1.30:1 MAX AT 10-26.5 GHz  
 C. D.W.V. = 500 VRMS MIN.

3. PHYSICAL:

A. TEMPERATURE RANGE = -65°C TO +165°C  
 B. DURABILITY = 100 MATING CYCLES MIN. WHEN MATED WITH FULL DETENT JACK  
 = 500 MATING CYCLES MIN. WHEN MATED WITH SMOOTH BORE JACK

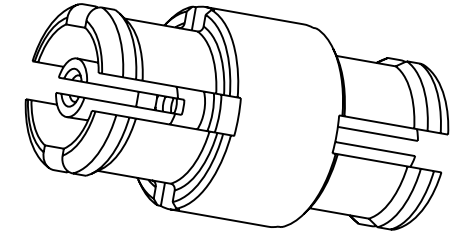
4. PACKAGING:

A. QUANTITY: PACK 100PCS/TRAY  
 B. MARKING: TRAY TO BE MARKED  
 "AMPHENOL RF, 925-106A-51S, AND DATE CODE"

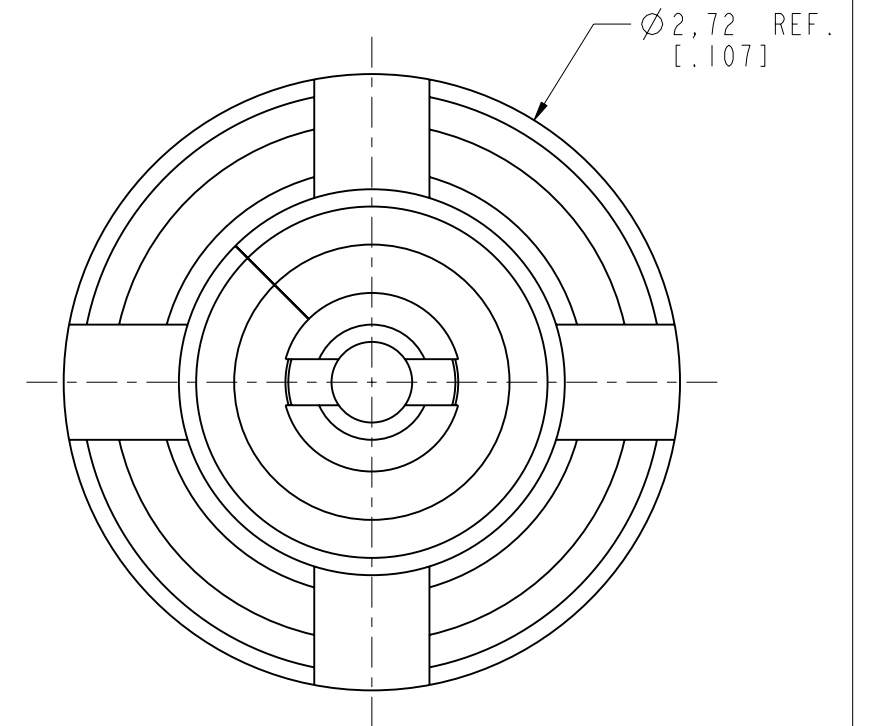
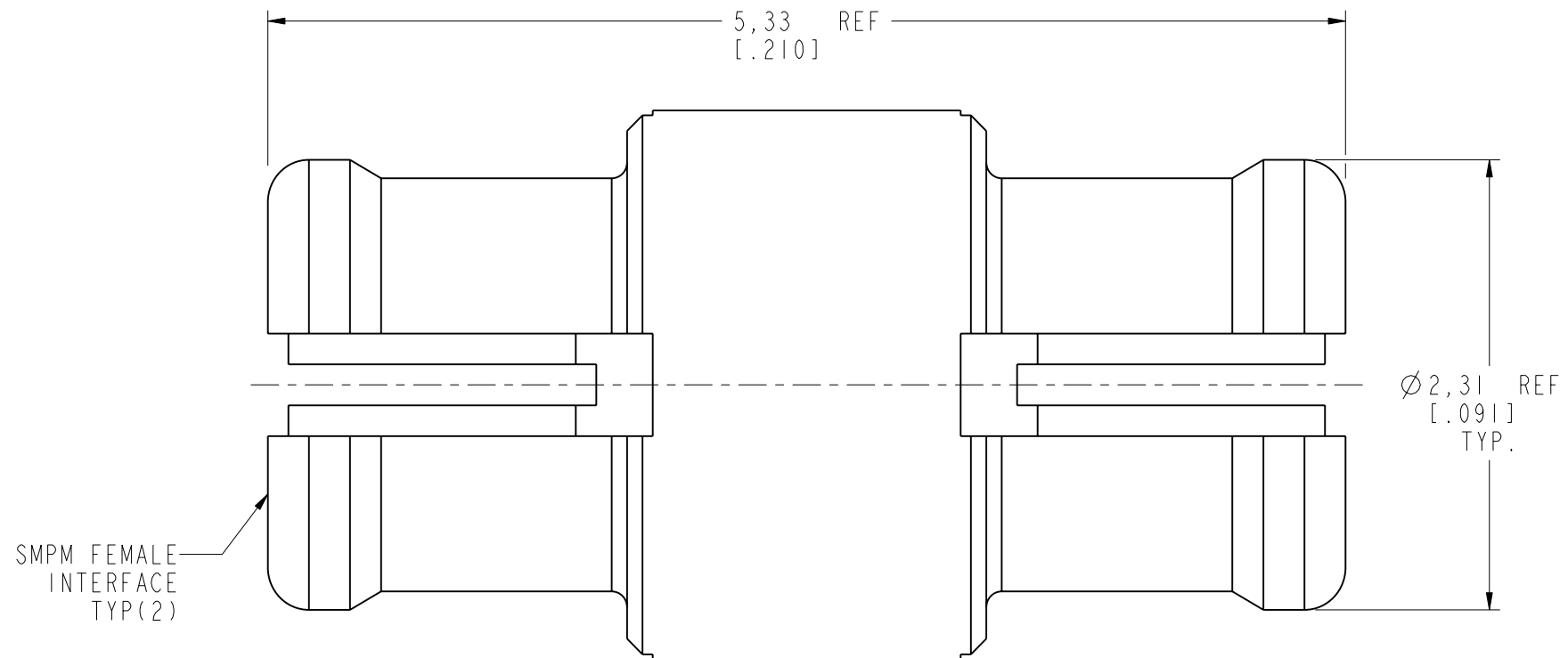
THIRD ANGLE PROJ.

REVISIONS

REV	DESCRIPTION	DATE	ECO	APPR
A	RELEASE TO MFG.	09-Sep-16	01843	KCE



SCALE 10.000



**CUSTOMER OUTLINE DRAWING**

ALL OTHER SHEETS ARE FOR INTERNAL USE ONLY

UNLESS OTHERWISE SPECIFIED, DIMENSIONS ARE IN METRIC AND TOLERANCES ARE:  
 <0.5mm ±0.05mm    0.5 - 6mm ±0.1mm    6 - 30mm ±0.2mm    30 - 120mm ±0.3mm    ANGLES ±1°

NOTICE - These drawings, specifications, or other data (1) are, and remain the property of Amphenol corp. (2) must be returned upon request; and (3) are confidential and not to be disclosed to any person other than those to whom they are given by Amphenol Corp. the furnishing of these drawings, specifications, or other data by Amphenol Corp., or to any other person to anyone for any purpose is not to be regarded by implication or otherwise in any manner licensing, granting rights to permitting such holder or any other person to manufacture, use or sell any product, process or design, patented or otherwise, that may in any way be related to or disclosed by said drawings, specifications, or other data.

MATERIAL	-
REFERENCE	EAR #7105 AND --
CONFIGURATION LEVEL:	In Work
FINISH	

DRAWN	M. ZHANG	DATE	10-Sep-16
ENGINEER	T. SMITH	DATE	04-Nov-14
APPROVED	S. HSIEH	DATE	12-Sep-16
CAD FILE			

TITLE		ASSEMBLY	
		SMPM, F-F	
SCALE:	30.0:1.0	SHEET	2 OF 2
DWG SIZE	B	REV	A

Amphenol RF	
www.amphenolrf.com	
DRAWING NO.	925-106A-51S
ITEM NO.	925-106A-51S
PART NO.	925-106A-51S