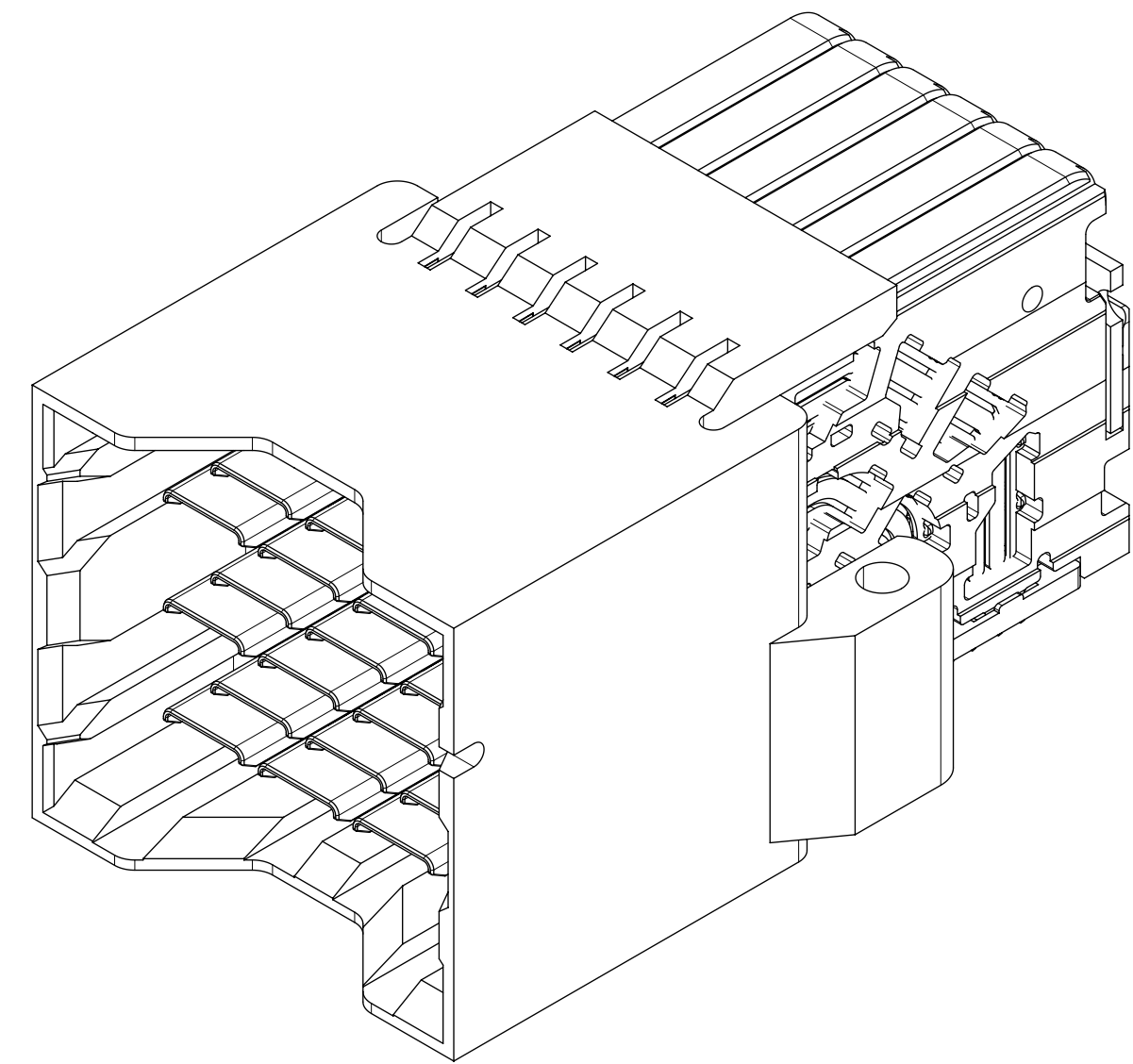


- NOTES:
1. MATERIALS: HOUSING - LIQUID CRYSTAL POLYMER (LCP) GLASS-FILLED, UL94V-0  
TERMINALS - HIGH PERFORMANCE COPPER ALLOY
  2. FINISH: 10uIN GOLD IN CONTACT AREA.  
SELECTIVE TIN ON PCB TAILS.  
NICKEL OVERALL.
  3. REFER TO MOLEX PRODUCT SPECIFICATION PS-172020-0999 FOR PERFORMANCE SPECIFICATIONS.
  4. THIS PART CONFORMS TO CLASS B REQUIREMENTS OF COSMETIC SPEC PS-45499-002.
  5. PRODUCT WILL BE PACKAGED PER PK-173460-0001.
  6. SEE SHEETS 2 AND 3 FOR PCB LAYOUT AND ORTHOGONAL PIN MAPPING.
  7. MATES WITH IMPEL ORTHO DAUGHTERCARD SERIES NUMBER 171510.
  8. REFER TO IMPEL PCB ROUTING GUIDE FOR AS-173460-990 ANTIPAD, ROUTING RECOMMENDATIONS, AND ADDITIONAL PCB INFORMATION.
  9. CONNECTORS ARE SUPPLIED WITH TWO 2-32 THREAD FORMING SCREWS.
  10. COMPONENT PLACEMENT AND TRACE KEEP OUT ZONE; DO NOT PLACE ANY OTHER COMPONENT OR ROUTE ANY TOP LAYER TRACES IN THIS AREA.



THIS DRAWING CONTAINS INFORMATION THAT IS PROPRIETARY TO MOLEX ELECTRONIC TECHNOLOGIES, LLC AND SHOULD NOT BE USED WITHOUT WRITTEN PERMISSION									
SYMBOLS		DIMENSION UNITS		SCALE		CURRENT REV DESC: CHANGED PART #S			
▽ = 0		mm				EC NO: 173320			
▽ = 0		GENERAL TOLERANCES (UNLESS SPECIFIED)				DRWN: FGRZELAK 2018/03/05			
▽ = 0		ANGULAR TOL ± 0.5°				CHK'D: DWLEE01 2018/05/25			
▽ = 0		4 PLACES ±				APPR: DWLEE01 2018/05/25			
▽ = 0		3 PLACES ±				INITIAL REVISION:			
▽ = 0		2 PLACES ± 0.13				DRWN: BJMILLER 2016/03/09			
▽ = 0		1 PLACE ± 0.25				APPR: TELO 2016/10/28			
▽ = 0		0 PLACES ±				DRAFT WHERE APPLICABLE MUST REMAIN WITHIN DIMENSIONS			
▽ = 0		THIRD ANGLE PROJECTION		DRAWING		SERIES		MATERIAL NUMBER	
▽ = 0		C-SIZE		173460		SEE TABLE		CUSTOMER	
						GENERAL MARKET		SHEET NUMBER	
						1 OF 3			

**molex**

IMPEL PLUS 3 PAIR OD-RAM  
90 DEGREE - UNGUIDED SALES DRAWING -  
GENERAL MARKET

PRODUCT CUSTOMER DRAWING

DOCUMENT NUMBER DOC TYPE DOC PART REVISION

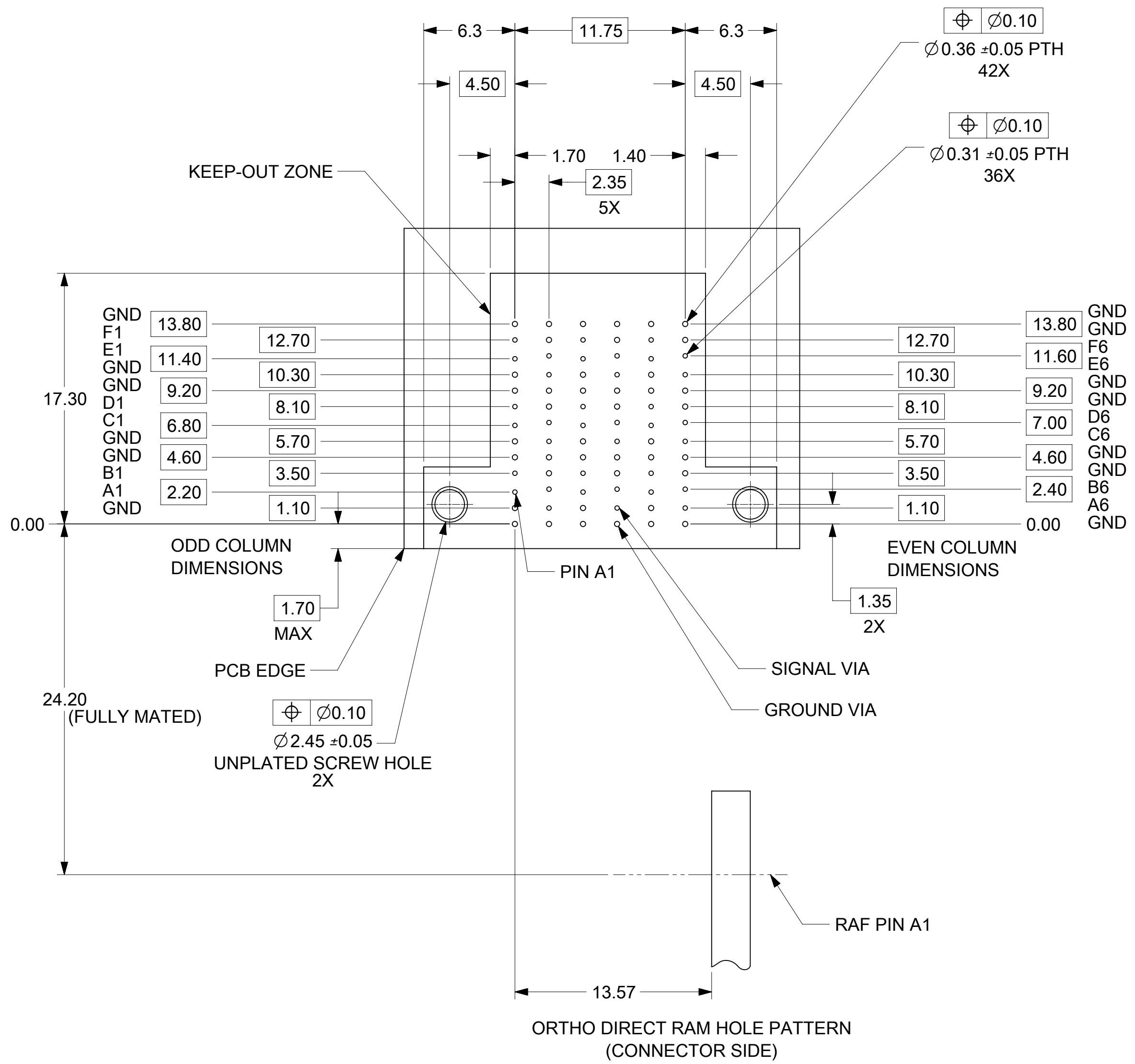
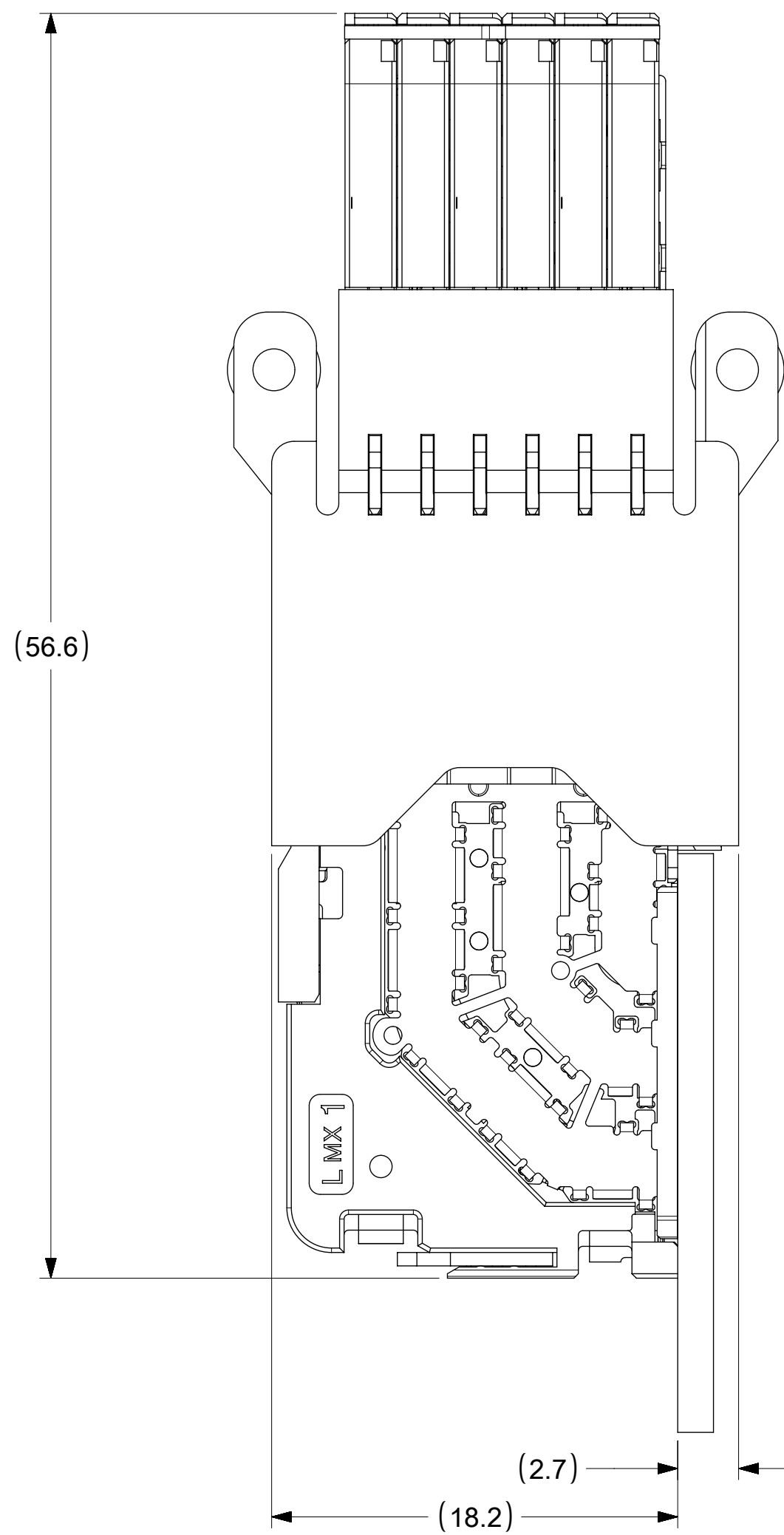
SD-173460-0001 PSD 000 B

MATERIAL NUMBER CUSTOMER SHEET NUMBER

SEE TABLE GENERAL MARKET 1 OF 3

DOCUMENT STATUS P1 RELEASE DATE 2018/05/25 06:27:40

12 11 10 9 8 7 6 5 4 3 2 1

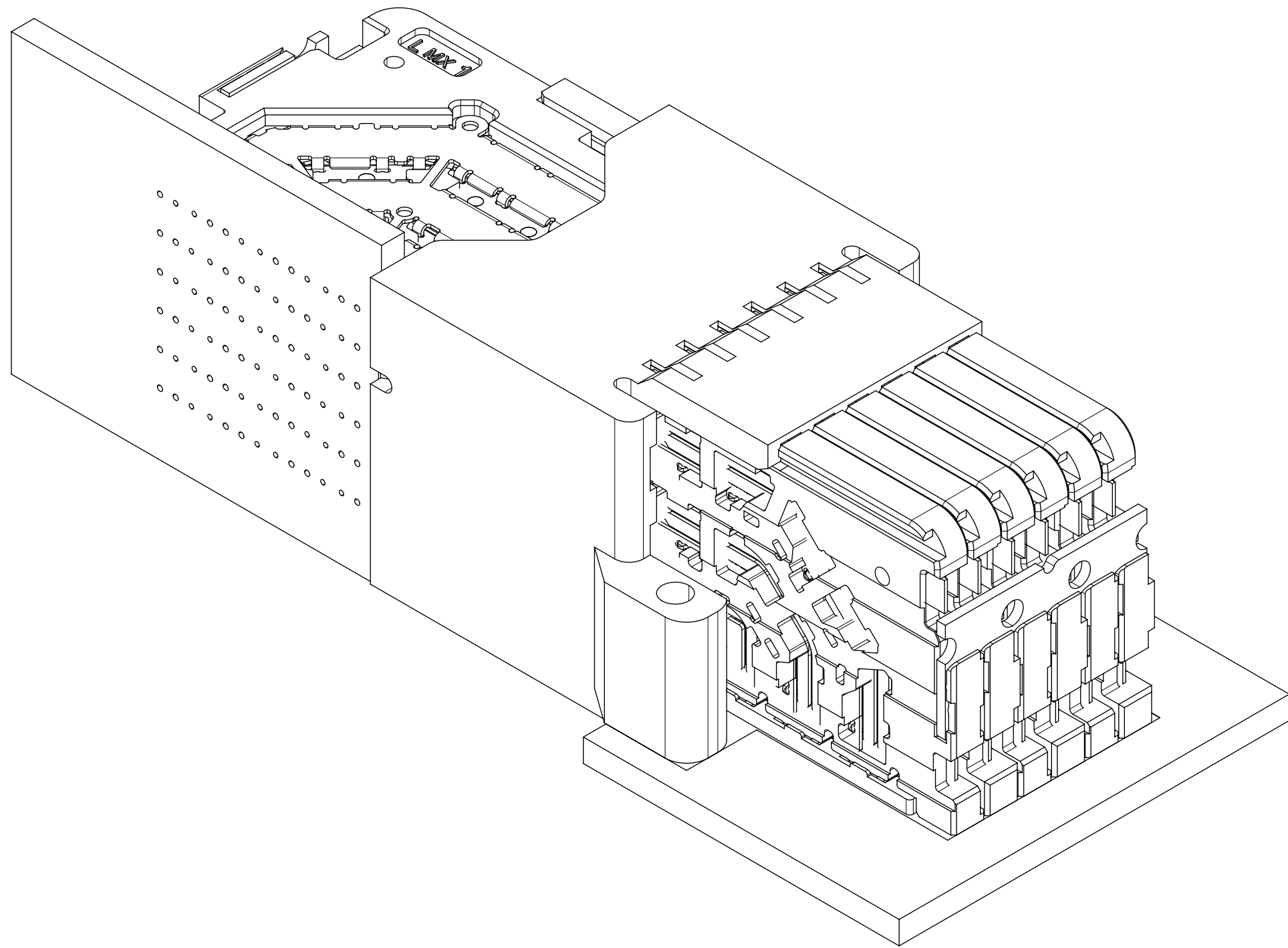


MATED DIMENSIONS

ORTHO DIRECT RAM HOLE PATTERN  
(CONNECTOR SIDE)

SYMBOLS		THIS DRAWING CONTAINS INFORMATION THAT IS PROPRIETARY TO MOLEX ELECTRONIC TECHNOLOGIES, LLC AND SHOULD NOT BE USED WITHOUT WRITTEN PERMISSION	
DIMENSION UNITS	SCALE	CURRENT REV DESC: CHANGED PART #S	
▽ = 0	mm		
▽ = 0	GENERAL TOLERANCES (UNLESS SPECIFIED)		
▽ = 0	ANGULAR TOL ± 0.5°		
▽ = 0	4 PLACES ±	EC NO: 173320	
▽ = 0	3 PLACES ±	DRWN: FGRZELAK	2018/03/05
▽ = 0	2 PLACES ± 0.13	CHK'D: DWLEE01	2018/05/25
▽ = 0	1 PLACE ± 0.25	APPR: DWLEE01	2018/05/25
▽ = 0	0 PLACES ±	INITIAL REVISION:	
▽ = 0	DRAFT WHERE APPLICABLE MUST REMAIN WITHIN DIMENSIONS	DRWN: BJMILLER	2016/03/09
▽ = 0		APPR: TELO	2016/10/28
	THIRD ANGLE PROJECTION	DRAWING	SERIES
		C-SIZE	173460
		MATERIAL NUMBER	CUSTOMER
		SEE TABLE	GENERAL MARKET
		DOCUMENT NUMBER	DOC TYPE   DOC PART   REVISION
		SD-173460-0001	PSD   000   B
		SHEET NUMBER	
		2 OF 3	

ORTHO PIN MAPPING (RAF - OD RAM)					
F1-E2	F2-F1	F3-C2	F4-D1	F5-A2	F6-B1
E1-F2	E2-E1	E3-D2	E4-C1	E5-B2	E6-A1
D1-E4	D2-F3	D3-C4	D4-D3	D5-A4	D6-B3
C1-F4	C2-E3	C3-D4	C4-C3	C5-B4	C6-A3
B1-E6	B2-F5	B3-C6	B4-D5	B5-A6	B6-B5
A1-F6	A2-E5	A3-D6	A4-C5	A5-B6	A6-A5



MATERIAL NUMBER	NUMBER OF COLUMNS	DIM "P" (PIN LENGTH)
173460-1617	6	4.90
173460-1618	6	5.50

<b>SYMBOLS</b> ▽ = 0 ▽ = 0 ▽ = 0 ▽ = 0 ▽ = 0 ▽ = 0 ▽ = 0 ▽ = 0 ▽ = 0 ▽ = 0	THIS DRAWING CONTAINS INFORMATION THAT IS PROPRIETARY TO MOLEX ELECTRONIC TECHNOLOGIES, LLC AND SHOULD NOT BE USED WITHOUT WRITTEN PERMISSION			
	DIMENSION UNITS	SCALE	CURRENT REV DESC: CHANGED PART #S	
	mm			
	GENERAL TOLERANCES (UNLESS SPECIFIED)			
	ANGULAR TOL	± 0.5°		
	4 PLACES	±	EC NO: 173320	
	3 PLACES	±	DRWN: FGRZELAK 2018/03/05	
	2 PLACES	± 0.13	CHK'D: DWLEE01 2018/05/25	
	1 PLACE	± 0.25	APPR: DWLEE01 2018/05/25	
	0 PLACES	±	INITIAL REVISION: DRWN: BJMILLER 2016/03/09 APPR: TELO 2016/10/28	
DRAFT WHERE APPLICABLE MUST REMAIN WITHIN DIMENSIONS	THIRD ANGLE PROJECTION	DRAWING	SERIES	
		C-SIZE	173460	
DOCUMENT NUMBER		DOC TYPE	DOC PART	REVISION
SD-173460-0001		PSD	000	B
MATERIAL NUMBER		CUSTOMER		SHEET NUMBER
SEE TABLE		GENERAL MARKET		3 OF 3

**molex**

IMPEL PLUS 3 PAIR OD-RAM  
90 DEGREE - UNGUIDED SALES DRAWING - GENERAL MARKET

PRODUCT CUSTOMER DRAWING