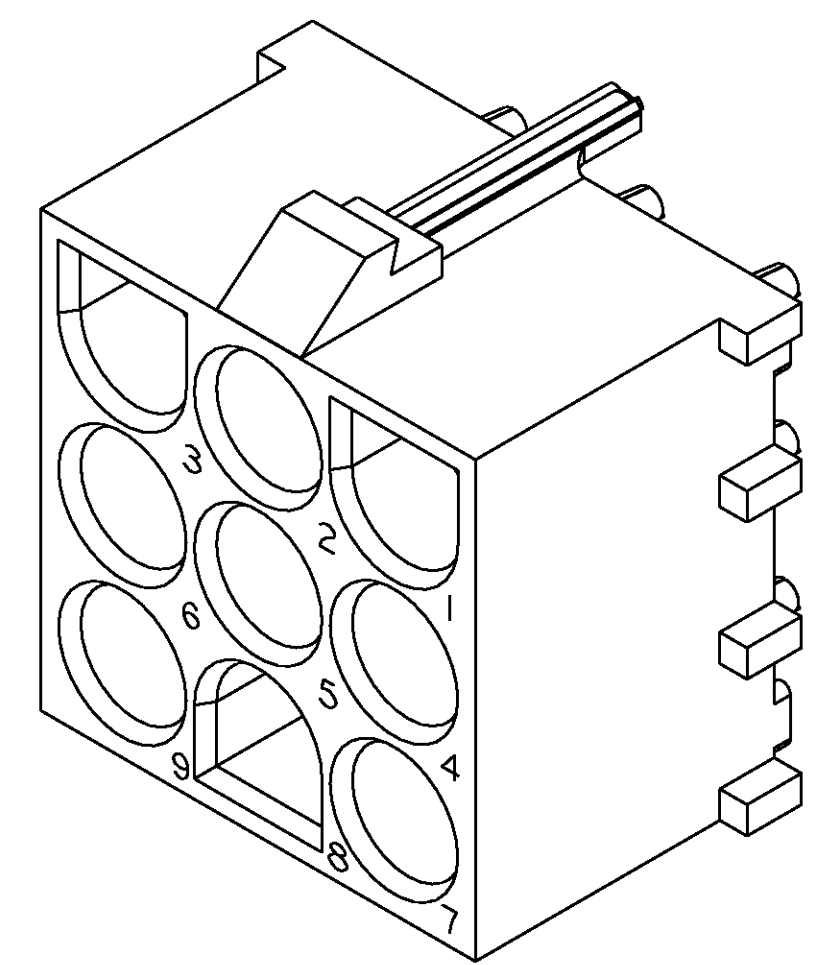
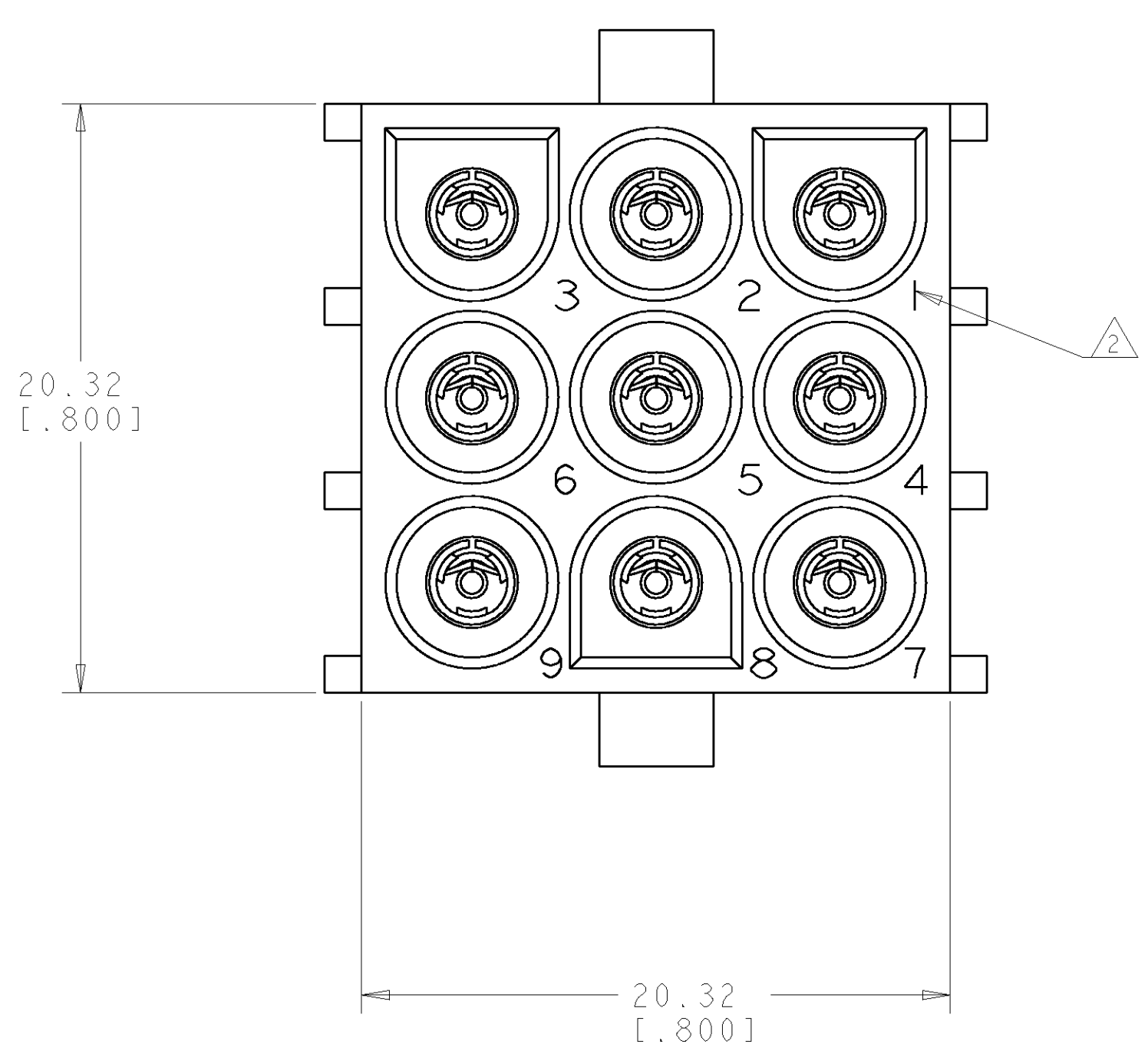
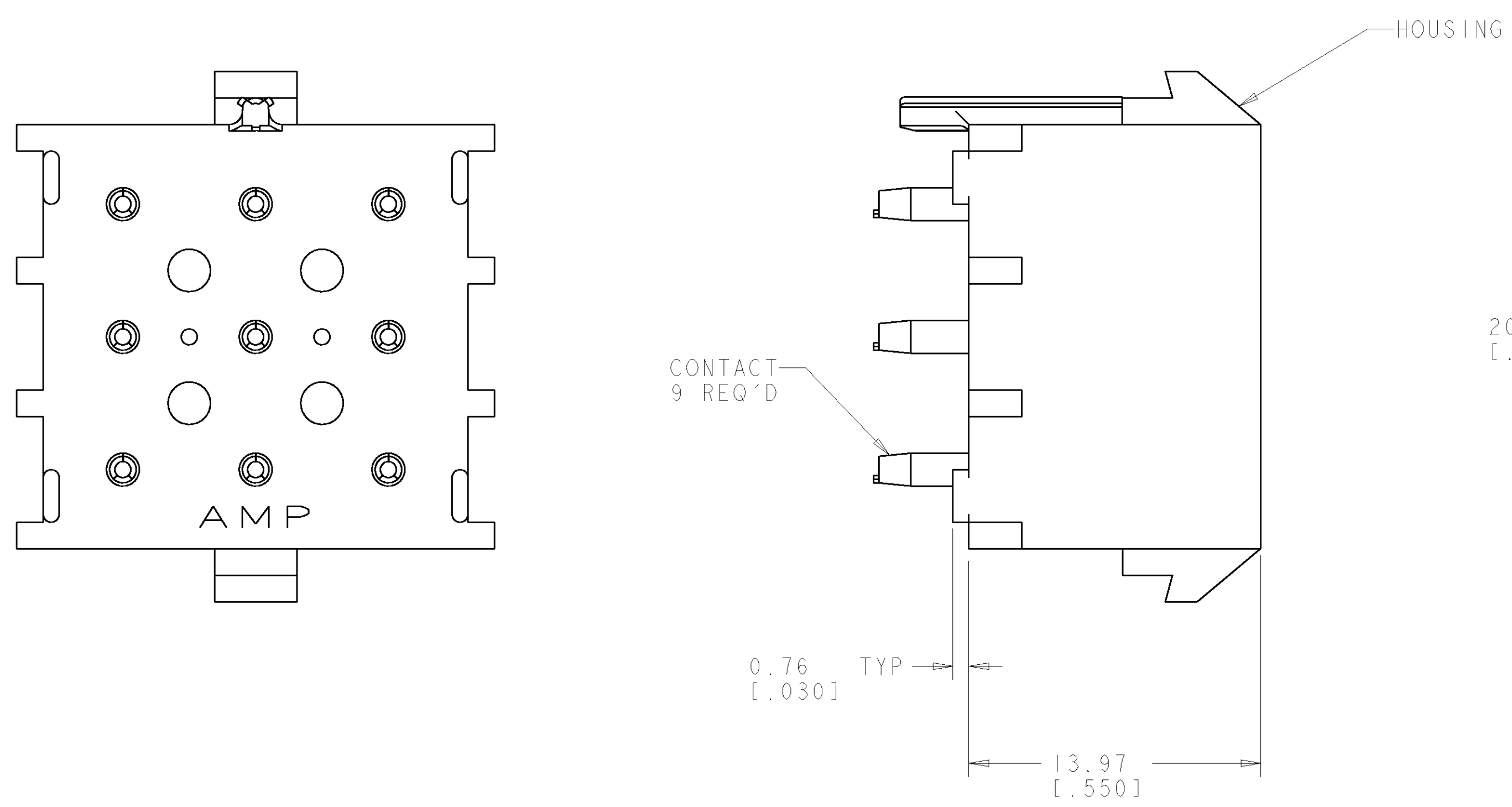
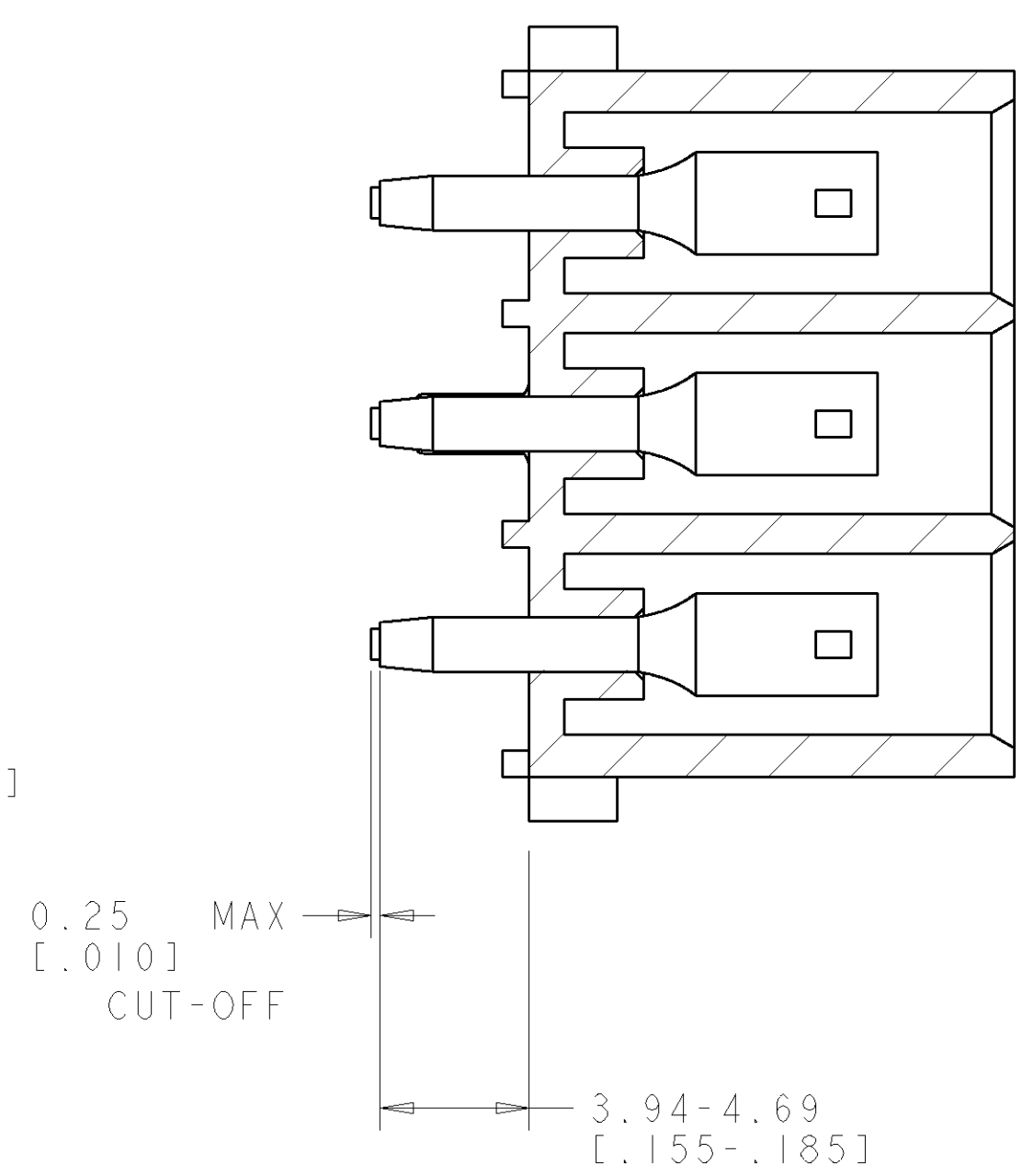
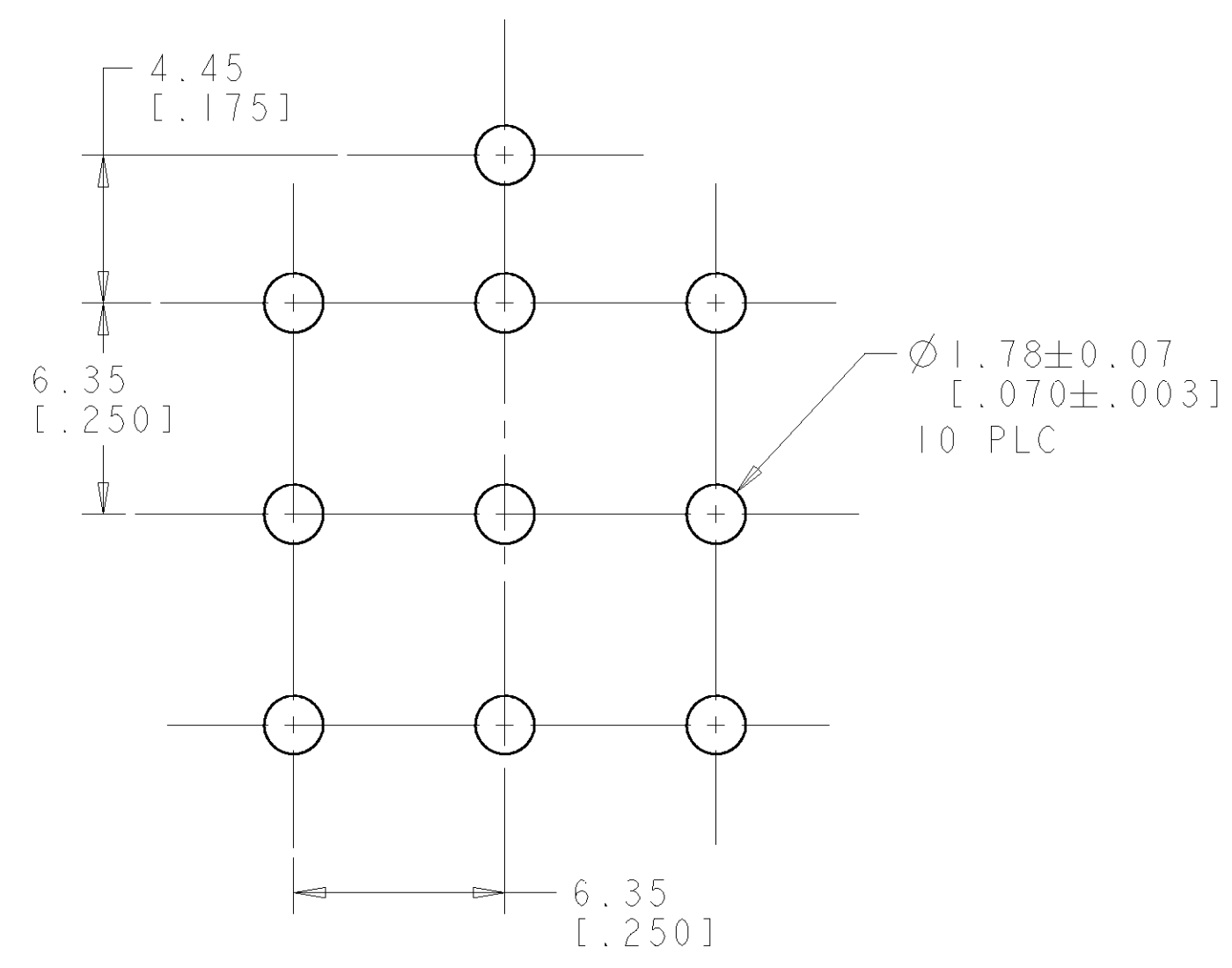


LOC		DIST		REVISIONS			
CM	00	P	LTR	DESCRIPTION	DATE	DWN	APVD
		0		REVISED PER 0638-0439-03	19-NOV-03	KW	SR

- PARTS COMPLY TO AMP SOLDERABILITY SPECIFICATION 109-11-3.
- CIRCUIT IDENTIFICATION CHARACTERS ARE ADJACENT TO THE INDICATED CAVITIES, BUT LOCATION AND ORIENTATION MAY DIFFER FROM PRINT.
- DIMENSIONS IN BRACKETS ARE IN INCHES.



3 DIMENSIONAL MODEL
SCALE 4:1



RECOMMENDED MOUNTING HOLE PATTERN
FOR 1.57 [0.062] THICK P.C. BOARD

PHOSPOR BRONZE, PRE-TIN PIN CONTACT MATERIAL AND FINISH	NYLON, UL94V-2 HOUSING MATERIAL	1586214-1 PART NUMBER
DIMENSIONS: mm [INCHES] TOLERANCES UNLESS OTHERWISE SPECIFIED: 9 PLC ± 2 PLC ±0.13 [0.005] 5 PLC ± 4 PLC ± ANGLES ±40° 30'		DWN: R. WHITAKER 19-NOV-03 CHK: S. RIDGILL 19-NOV-03 APVD: S. RIDGILL 19-NOV-03 PRODUCT SPEC: - APPLICATION SPEC: - WEIGHT: - FINISH: SEE TABLE
MATERIAL: SEE TABLE FINISH: SEE TABLE		NAME: TTYCO Electronics Tyco Electronics Harrisburg, PA 17105-3608 PRODUCT SPEC: - APPLICATION SPEC: - SIZE: A1 CAGE CODE: 00779 DRAWING NO: C=1586214 RESTRICTED TO: - CUSTOMER DRAWING SCALE: 5:1 SHEET 1 OF 1 REV 0

