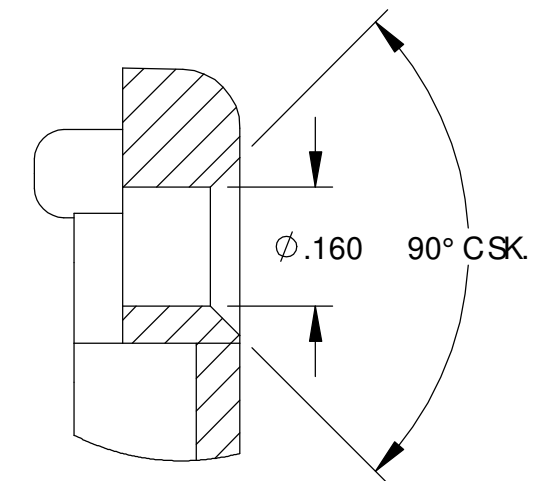


THE INFORMATION CONTAINED IN THIS DRAWING IS THE SOLE PROPERTY OF BUD INDUSTRIES INC. ANY REPRODUCTION IN PART OR WHOLE WITHOUT THE WRITTEN PERMISSION OF BUD INDUSTRIES INC. IS PROHIBITED.

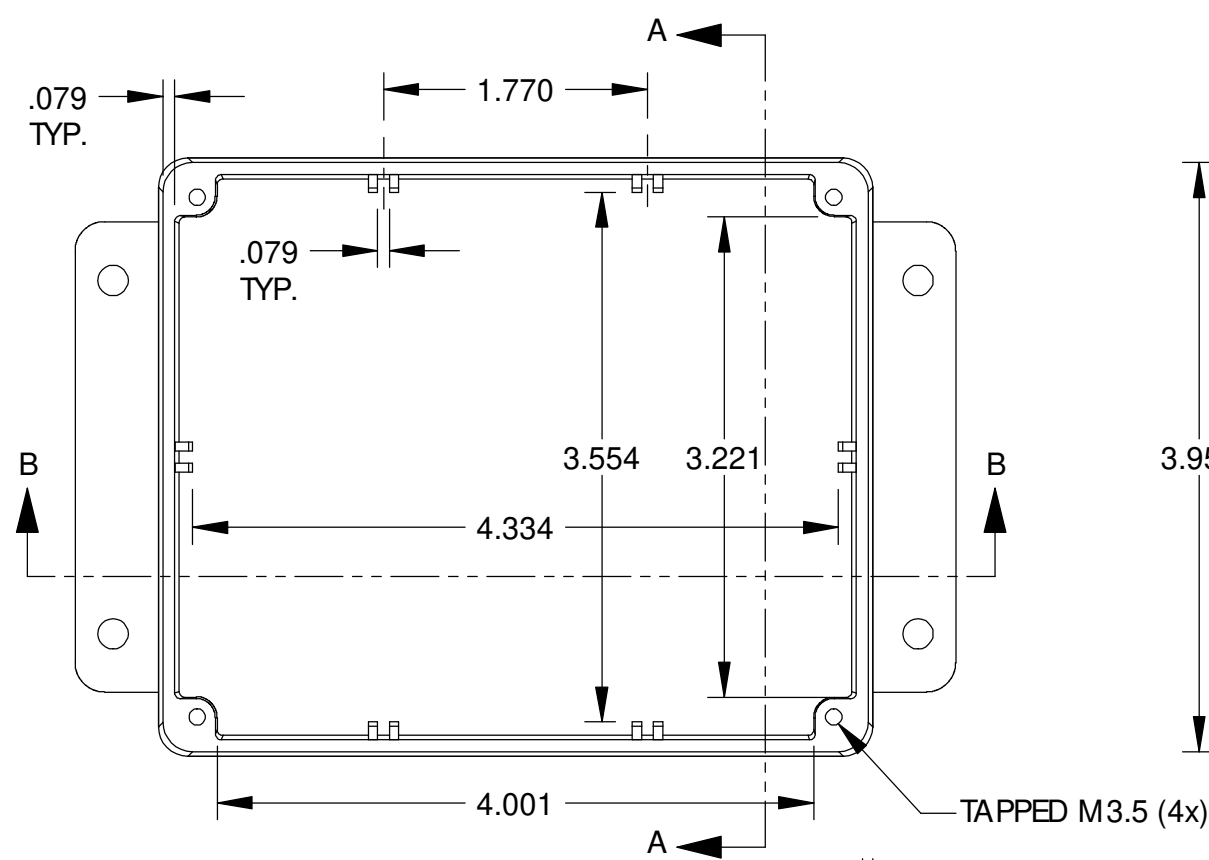
MATERIAL - ALUMINUM ALLOY # ADC-12
 FINISH - NATURAL (CONTACT BUD FACTORY FOR ALTERNATE FINISHES)
 GASKET - RATED IP65 NEOPRENE, SELF-ADHESIVE, 3mm THICK, COLOR BLACK
 SCREWS - STAINLESS STEEL, M3.5 x 12mm LG., CSK. HEAD, SELF-THREADING

ALL HOLE DIAMETERS HAVE $\pm .005$ TOLERANCE
 ALL OTHER DIMENSIONS HAVE $\pm .015$ TOLERANCE
 ENCLOSURES ARE SHIPPED UNASSEMBLED WITH ALL ITEMS SHOWN.

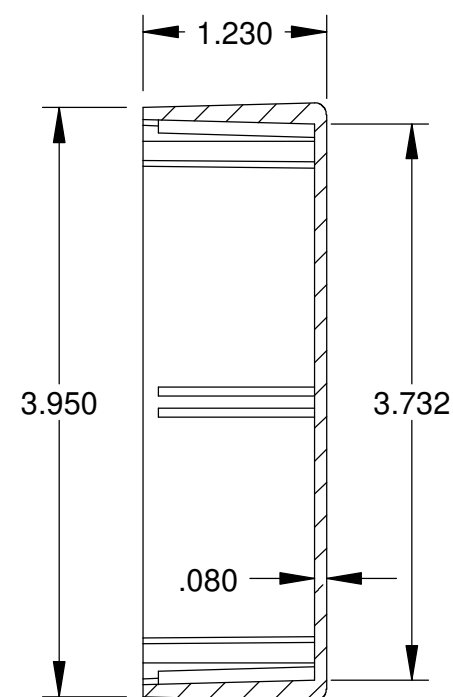
DWG. NO.	CN-6706
ISSUE	REVISIONS



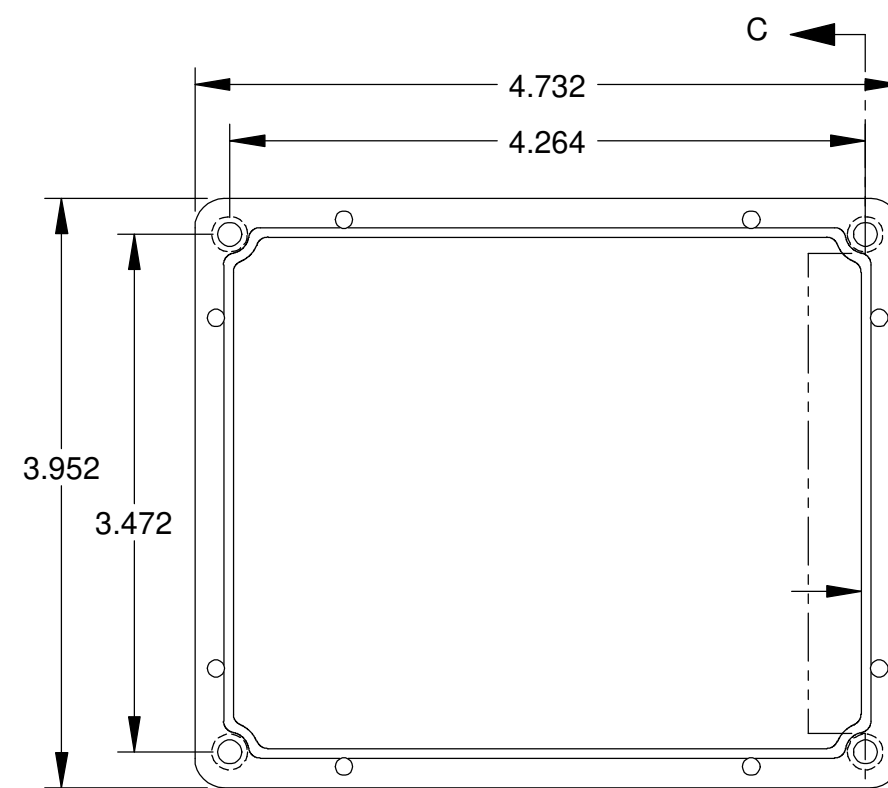
DETAIL D
SCALE 4 : 1



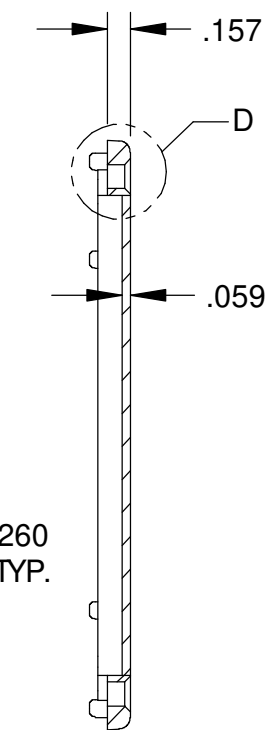
SECTION A-A



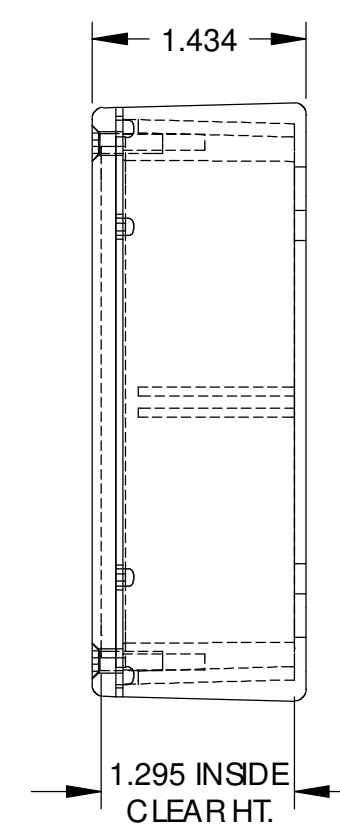
SECTION B-B



COVER

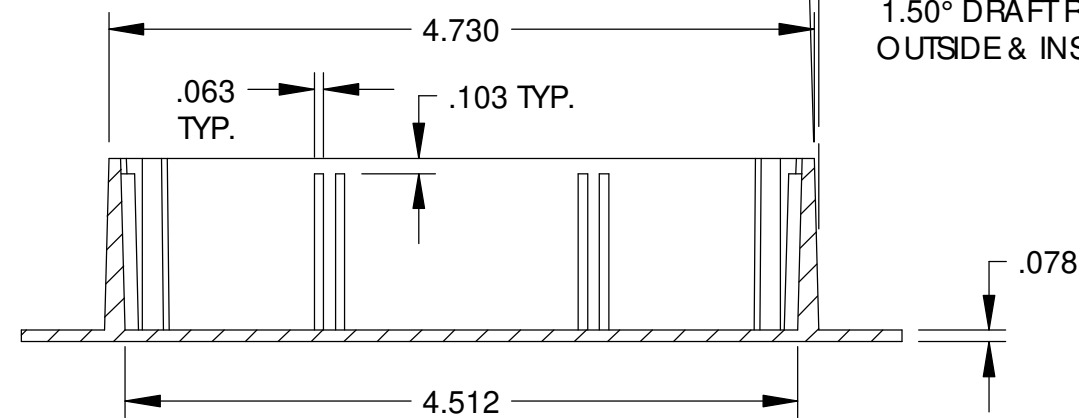


SECTION C-C

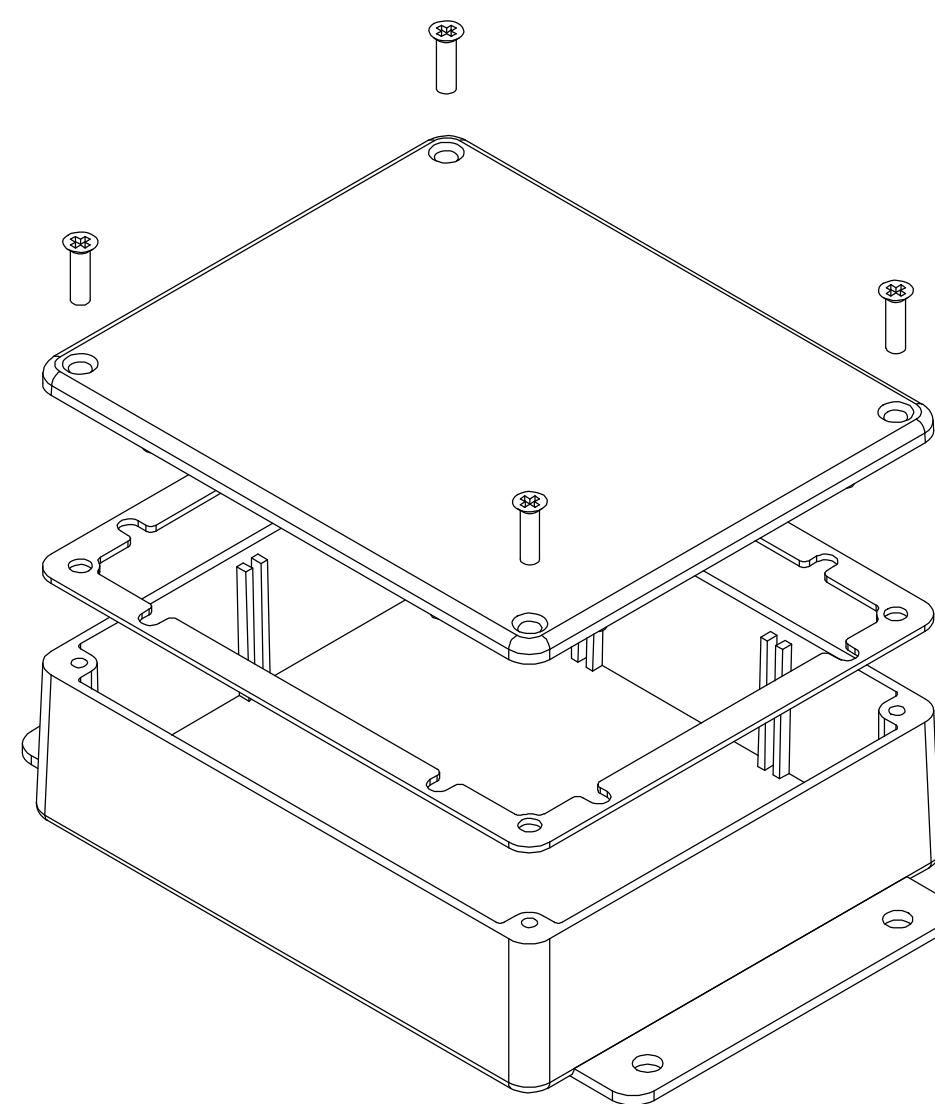
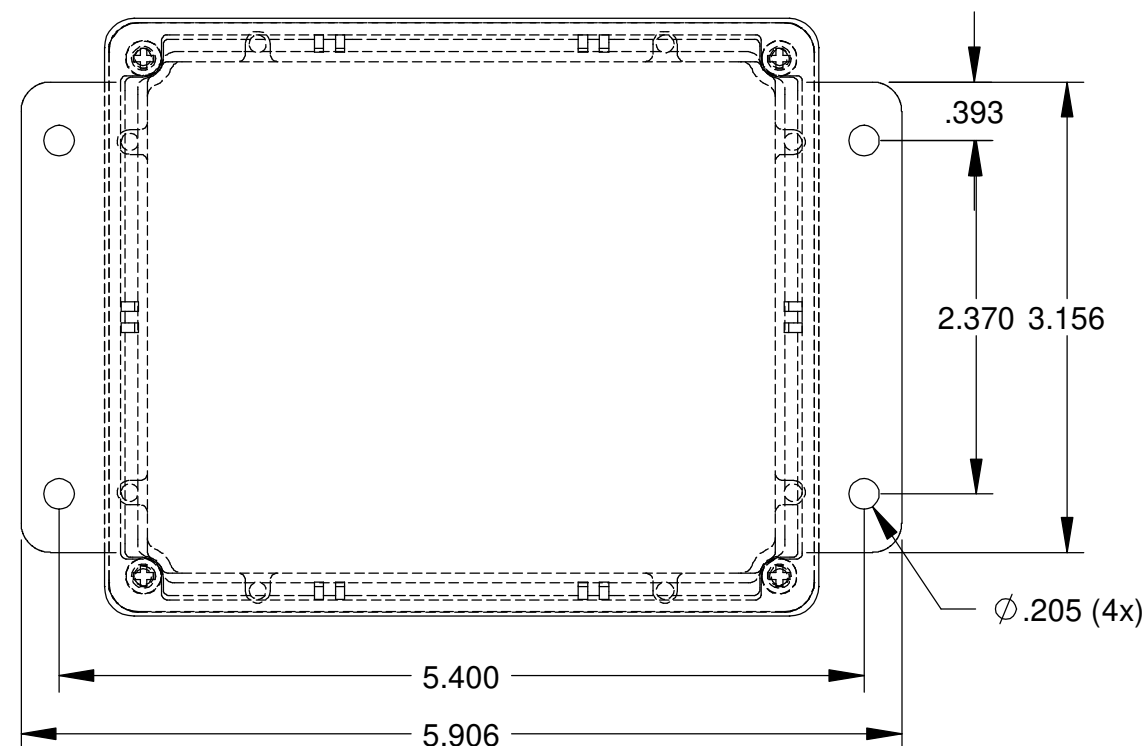


1.50° DRAFT REF. OUTSIDE & INSIDE

BODY



SECTION B-B



PARTS LIST			
+/- .005 BETWEEN HOLE CENTERS		CAD GENERATED DRAWING, DO NOT MANUALLY UPDATE	
+/- .015 FROM SHEARED EDGE		APPROVALS	
+/- .032 FROM A BENT SURFACE		DRAWN	DATE
+/- .062 BETWEEN ASSEMBLED SURFACES		DAB	4-3-06
UNLESS OTHERWISE SPECIFIED		CHECKED	
MATERIAL		APPROVED	
AS NOTED		BUD INDUSTRIES INC.	
AS NOTED		DIE CAST ALUMINUM ENCLOSURE	
QTY.	USED ON	DWG. NO.	REV.
		CN-6706	
		SCALE	CAD FILE
			SHEET 1 OF 1