

# Type PMA-KB-07-Q1R Panel Mount Fuse Holder 1/4" x 1/4" (6.3 x 32mm) Fuses Knob / Bayonet – Color Cap



www.optifuse.com

(619) 593-5050

**Electrical Rating:** 10A, 250V AC  
**Fuse Style:** 1/4" x 1/4" (6.3 x 32mm)

**Material:**

**Frame and Cap:** PBT (UL flame: 94V-0)

**Terminals:** Tin-plated brass

**Cap:** Knob type, Bayonet type

**Cap Colors:** Green, Blue, Red, Gold or Black

**Mounting:** by nut

**Terminal:** Solder/Quick-Connect 4.8mm / 0.187"

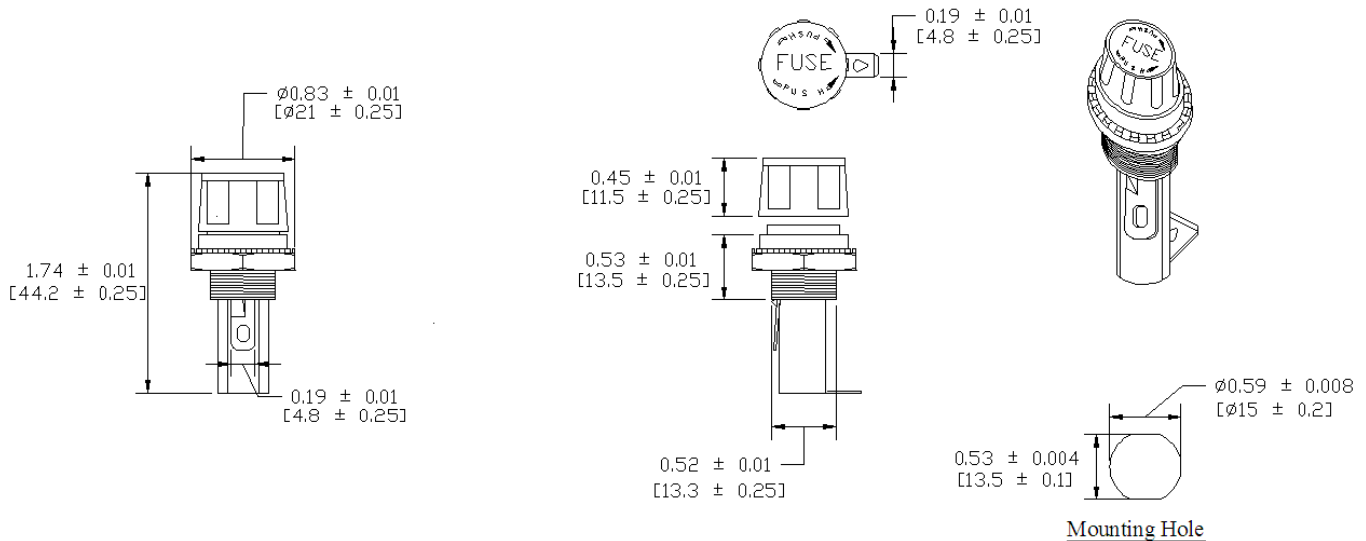
**Panel Thickness:** 0.5 ~ 4.5mm

**Agency Standards and Listings:**



Part Number	Cap Color
PMA-KB-07-Q1R-GN	Green
PMA-KB-07-Q1R-BL	Blue
PMA-KB-07-Q1R-RD	Red
PMA-KB-07-Q1R-GO	Gold
PMA-KB-07-Q1R-BK	Black

**Product Dimensions: Inches [mm]**



**Warning:**



- Operation beyond the specified maximum ratings or improper use may result in damage and possible electrical arcing and/or flame.
- Fuse Holders are not intended for circuit disconnect. All power should be disconnected before removing fuse.
- Avoid contact of Fuse Holder with chemical solvent. Prolonged contact may damage the device performance.