

## Peak Emission Wavelength: 1300nm

The MTSM1300MT2-BK consists of a 1300nm high output infrared die in a PLCC-2 black plastic molded surface mount package. Custom package solutions and sorting are available.

### FEATURES

- > High Output Power
- > Wide Beam Angle
- > High Reliability

### APPLICATIONS

- > Optical Switches & Sensors
- > Fiber Optical Communication
- > Bar-code Reader



## Absolute Maximum Ratings (Ta=25°C)

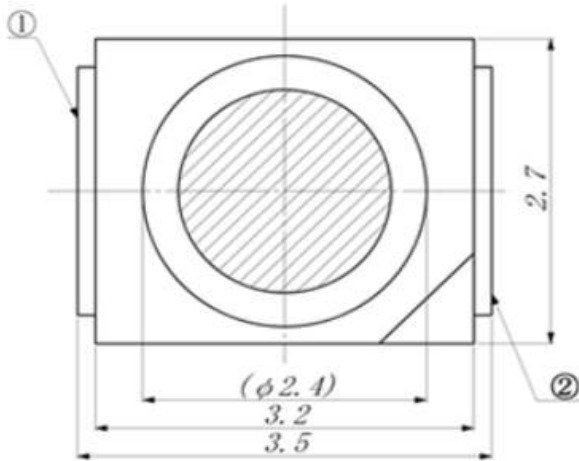


ITEMS	SYMBOL	RATINGS	UNIT
Forward Current (DC)	IF	100	mA
Forward Current (Pulse)*1	IFP	1	A
Reverse Voltage	VR	5	V
Power Dissipation	PD	--	mW
Operating Temperature Range	Topr	-20 ~ +80	°C
Storage Temperature Range	Tstg	-30 ~ +100	°C
Junction Temperature	Tj	100	°C
Lead Soldering Temperature	Tls	260	°C

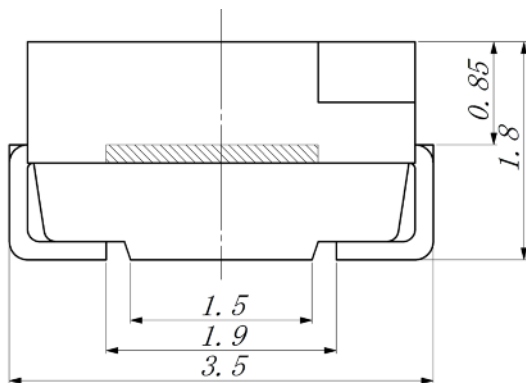
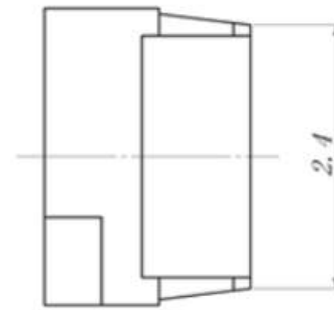
\*1: Tw=10μsec, T=10msec.

## Electrical & Optical Characteristics (Ta = 25°C)

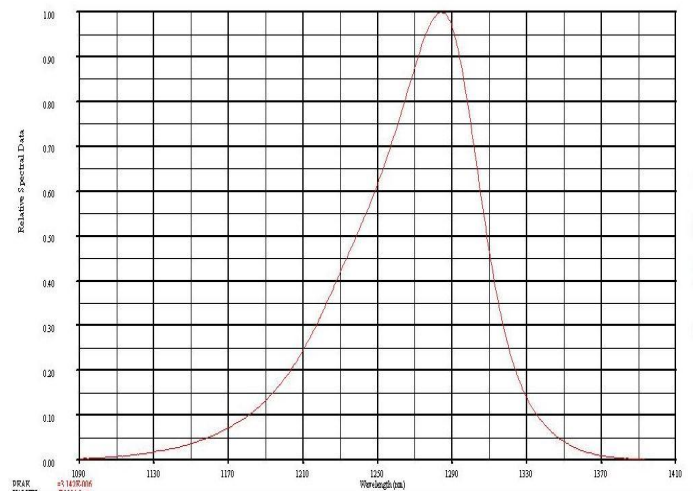
ITEMS	SYMBOL	CONDITIONS	MIN	TYP	MAX	UNIT
Power Output	PO	IF=20mA	--	2.0	--	mW
Power Output	PO	IF=50mA	--	4.0	--	mW
Forward Voltage	VF	IF=20mA	--	0.95	--	V
Forward Voltage	VF	IF=50mA	--	1.03	--	V
Reverse Current	IR	VR=5V	--	--	100	μA
Peak Emission Wavelength	λp	IF=50mA	--	1300	--	nm
Spectral Line Half Width	Δλ	IF=50mA	--	70	--	nm
Half Intensity Beam Angle	Θ	IF=50mA	--	±55	--	deg



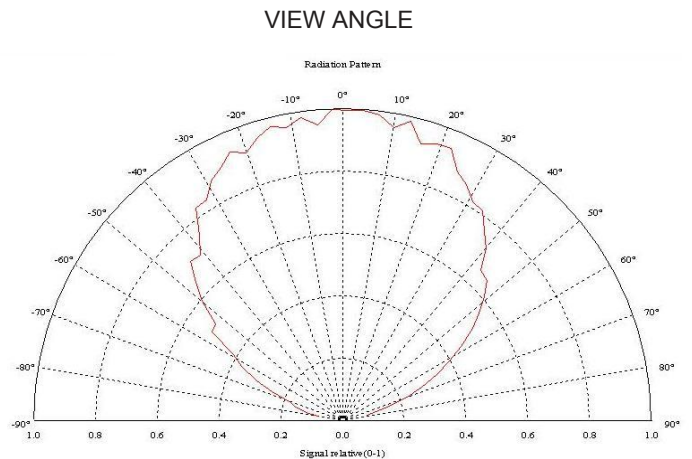
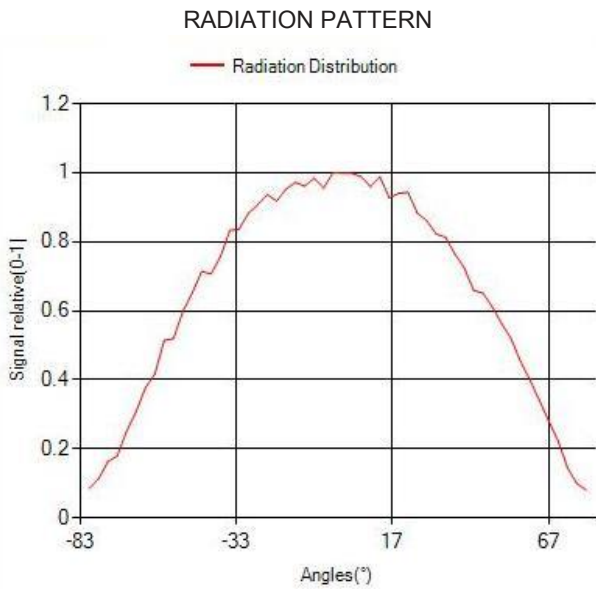
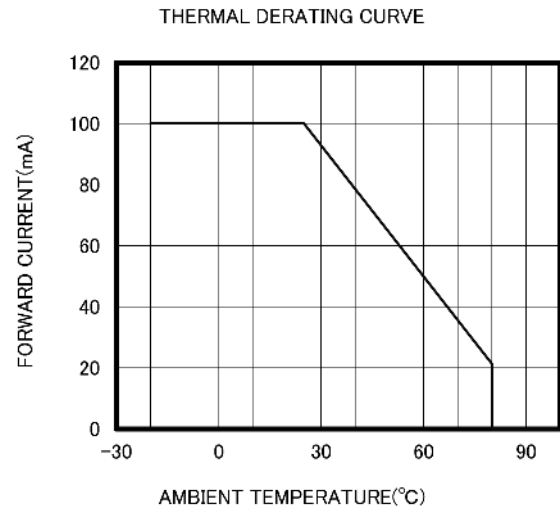
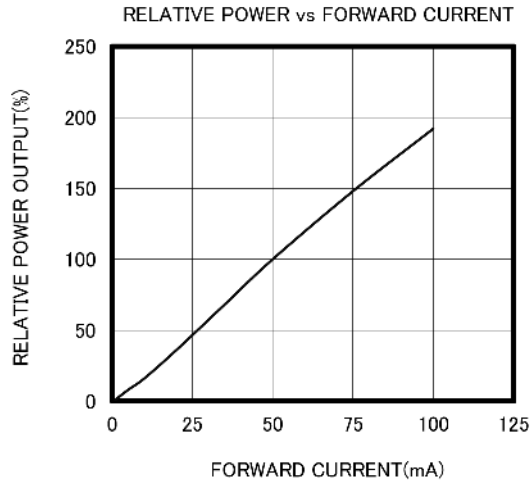
① Cathode      ② Anode



**SPECTRAL OUTPUT**



Unit: mm, Tolerance:  $\pm 0.2$



The information contained herein is subject to change without notice.

2020-04-30

FORWARD I-V CHARACTERISTICS

