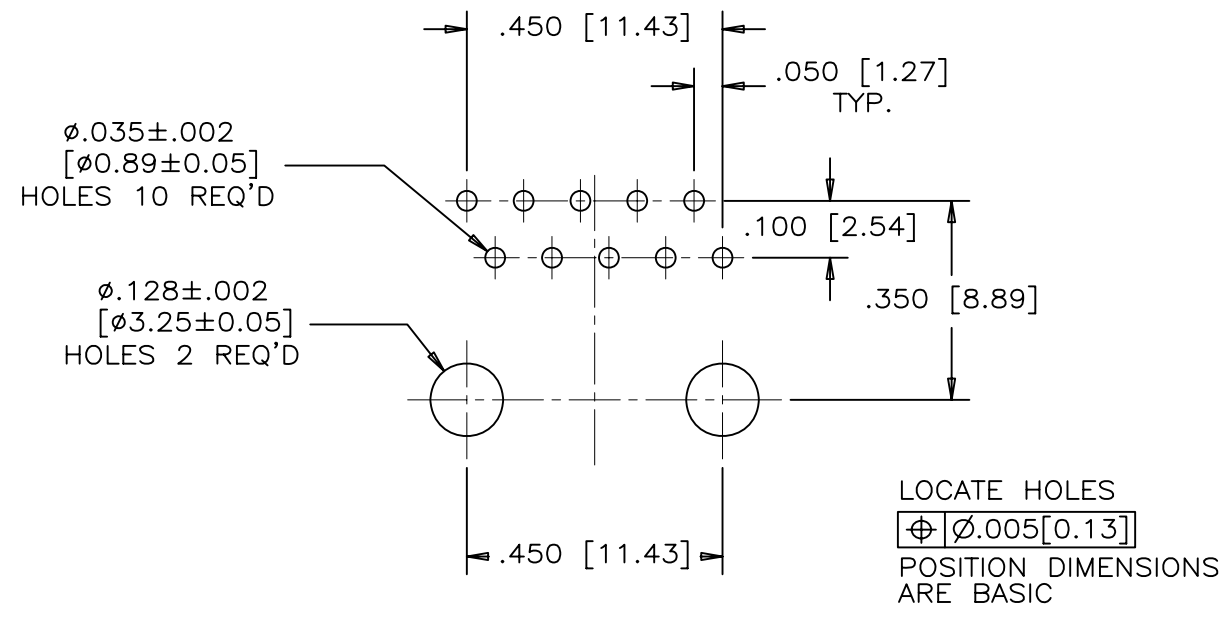
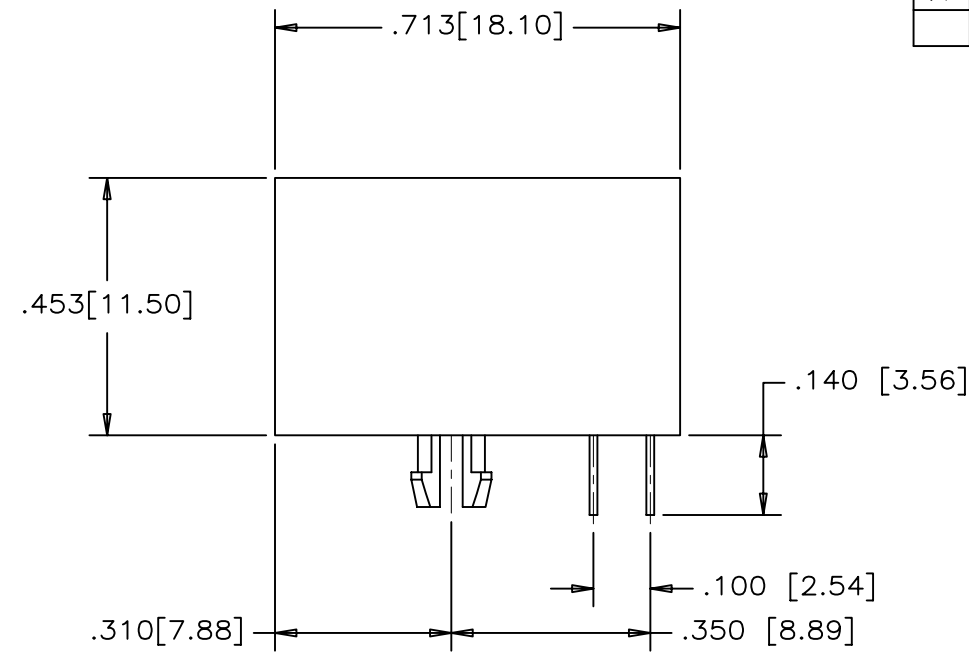
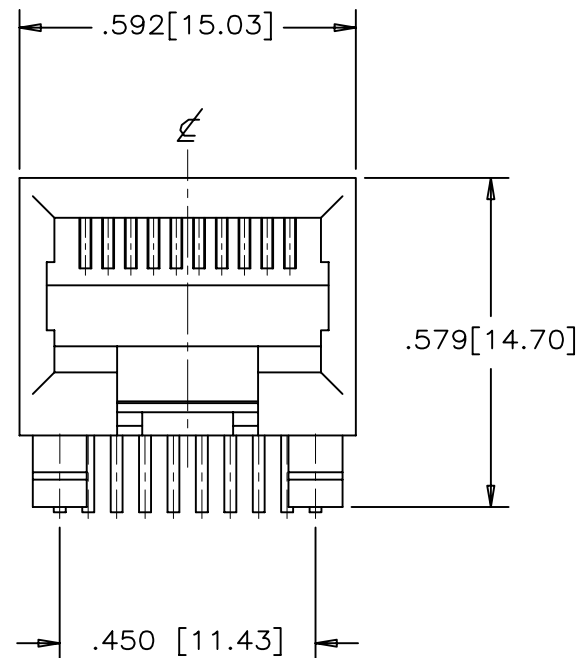


REVISIONS				
SYM	ZONE	ECN, ERN NO.	DATE	APPRD.
A		PROPOSAL	APR13/06	L.CHAN



RECOMMENDED P.C.B. LAYOUT
(COMPONENT SIDE OF BOARD)

LOCATE HOLES
 $\phi \pm 0.005 [0.13]$
 POSITION DIMENSIONS
 ARE BASIC

MATERIALS:

HOUSING: ENGINEERING THERMOPLASTIC RATING UL94V-0
 COLOUR: BLACK

CONTACTS: PHOSPHOR BRONZE

PLATING: MATING AREA: SELECTIVELY PLATED GOLD—PER
 PART NUMBER OPTIONS
 50 MICROINCHS [1.27 MICRONS] MIN. NICKEL OVERALL
 100 MICROINCHS [2.54 MICRONS] MIN. MATTE-TIN OVER TAIL

RECOMMENDED SOLDERING TEMPERATURE:
 WAVE SOLDERING AT 240°C MAXIMUM FOR 5 SEC MAXIMUM.

PART NUMBER: RJE05-1AA-0X10

- 1- 6μ" (0.15 MICRONS) GOLD
- 2- 15μ" (0.38 MICRONS) GOLD
- 3- 30μ" (0.78 MICRONS) GOLD
- 4- 50μ" (1.27 MICRONS) GOLD

DRAWN PAULW	DATE APR13/06
DESIGNED	
CHECKED CHIGOW	APR13/06
I. E. APPRD.	
Q. A. APPRD.	
DWG. APPRD.	
ENG. REL. NO.	
REF. EAR # A060406	
DIMENSIONS ARE IN INCHES [mm]	CODE ID. NO. 03554

Amphenol Canada Corp.	
TITLE SINGLE PORT MODULAR JACK, 10 POSITIONS, 10 CONTACTS - RoHS COMPLIANT	
DWG	DRAWING NO. P-RJE05-1AA-0X10
REV.	A
SCALE	WT. ----- SURF. ----- SHEET 1 OF 1

THIS DOCUMENT CONTAINS PROPRIETARY INFORMATION AND SUCH INFORMATION
 MAY NOT BE DISCLOSED TO OTHERS FOR ANY PURPOSE OR USED FOR MANUFACTURING
 PURPOSES WITHOUT WRITTEN PERMISSION FROM AMPHENOL CANADA CORP.