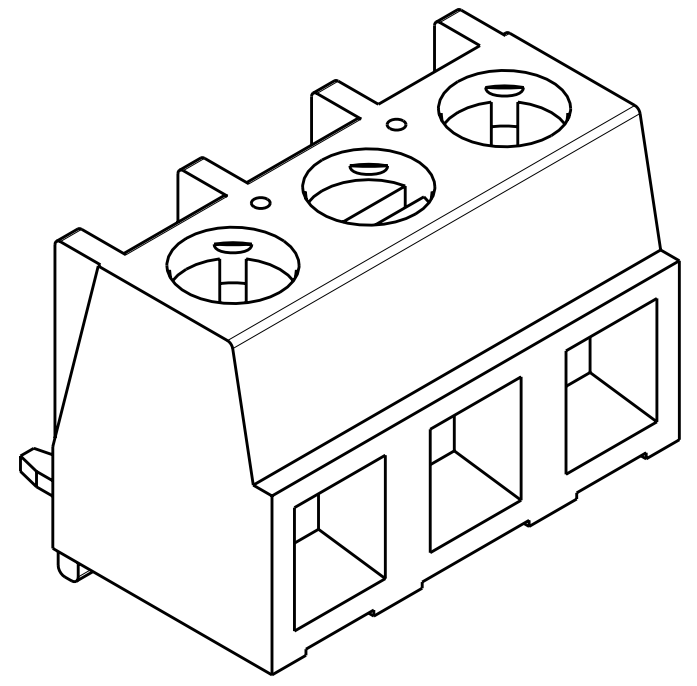
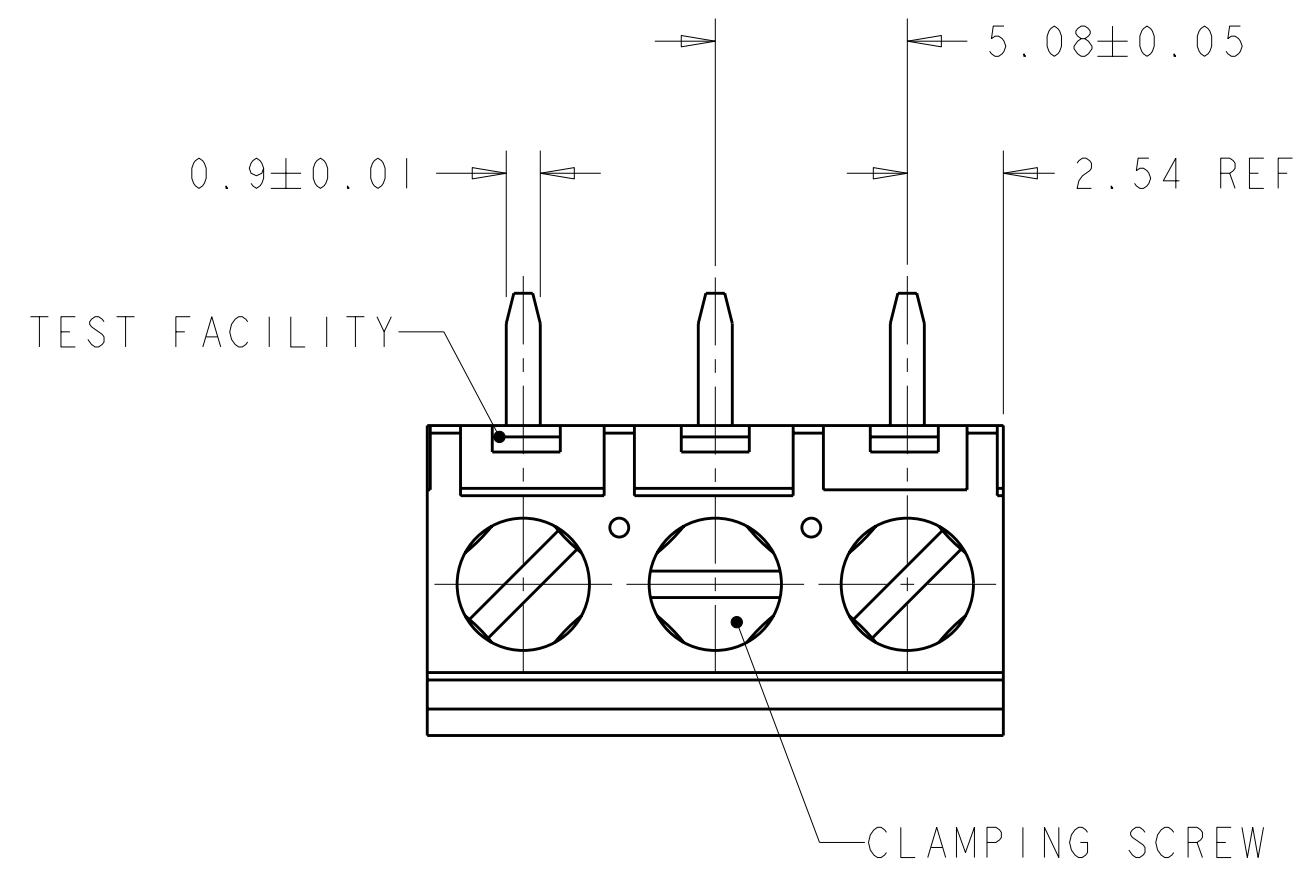


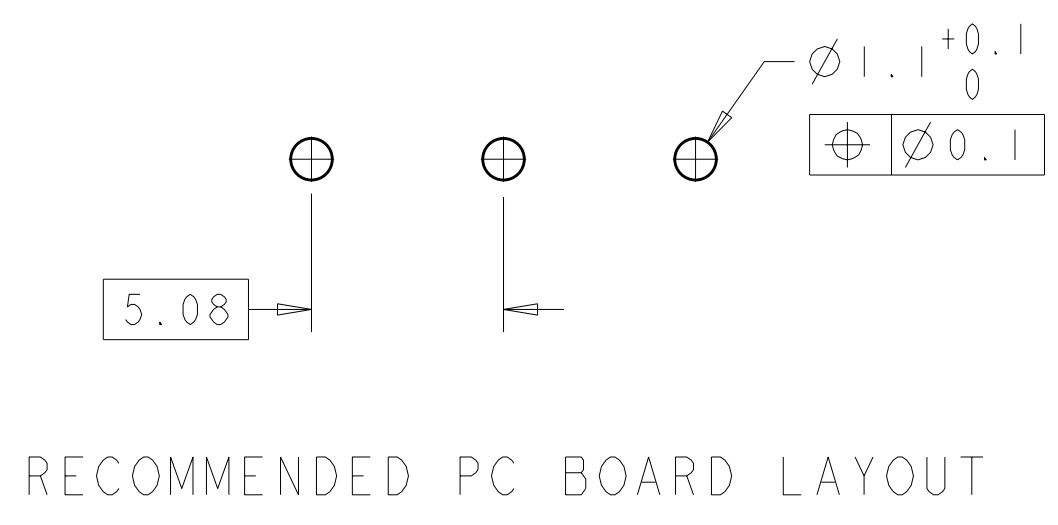
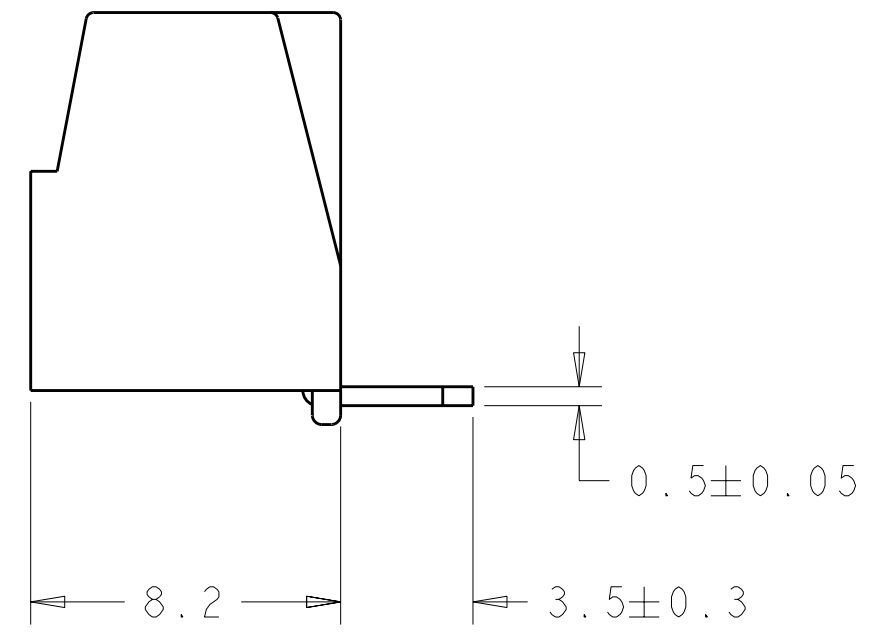
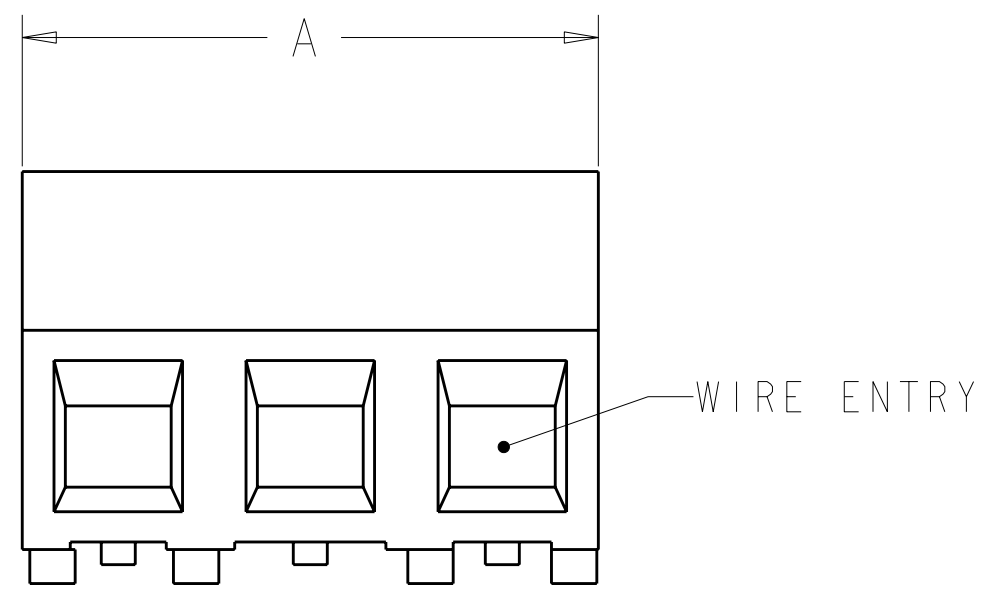
THIS DRAWING IS UNPUBLISHED. RELEASED FOR PUBLICATION 20
 © COPYRIGHT 20 BY TYCO ELECTRONICS CORPORATION. ALL RIGHTS RESERVED.

LOC		DIST		REVISIONS			
P	LTR	DESCRIPTION	DATE	DWN	APVD		
	0	RELEASED EC 063B-0612-04	09JUN2005	SW	CR		
	01	REVISED ECO-06-022416	26SEP2006	SW	CR		



1776121-3 AS SHOWN

- ⚠ MATERIAL AND FINISH
 HOUSING: STANYL TE250F6, UL 94V-0 RATED, COLOR: BLACK.
 CLAMP: BRASS, NICKEL PLATED.
 TERMINAL: BRASS, TIN PLATED.
 CLAMPING SCREW: M3, BRASS, NICKEL PLATED.
- SUITABLE FOR 1.6-2.4mm PC BOARD THICKNESS.
 - END-TO-END STACKABLE W/INTERLOCK WITHOUT LOSS OF CENTERLINE SPACJING.
 - WIRE SIZE RANGE: 15-17 AWG.



40.64	8	1776121-8
35.56	7	1776121-7
30.48	6	1776121-6
25.40	5	1776121-5
20.32	4	1776121-4
15.24	3	1776121-3
10.16	2	1776121-2
A	NO OF POSN	PART NUMBER

THIS DRAWING IS A CONTROLLED DOCUMENT FOR TYCO ELECTRONICS CORPORATION. IT IS SUBJECT TO CHANGE AND THE CONTROLLING ENGINEERING ORGANIZATION SHOULD BE CONTACTED FOR THE LATEST REVISION.		DWN: S. WELDON 09JUN2005	Tyco Electronics	
DIMENSIONS: mm		CHK: C. RICHARD 09JUN2005	Harrisburg, PA 17105-3608	
TOLERANCES UNLESS OTHERWISE SPECIFIED:		APVD: C. RICHARD 09JUN2005	NAME: TERMINAL BLOCK ASSEMBLY, PCB MOUNT, TOP WIRE ENTRY, STACKING, W/INTERLOCK, 5.08mm PITCH	
0 PLC ±		PRODUCT SPEC	SIZE	CAGE CODE
1 PLC ±0.2		APPLICATION SPEC	A200779	1776121
2 PLC ±0.25		WEIGHT	SCALE	SHEET
3 PLC ±0.000		CUSTOMER DRAWING	5:1	1 OF 1
4 PLC ±0.000				REV 01
ANGLES ±				
FINISH				