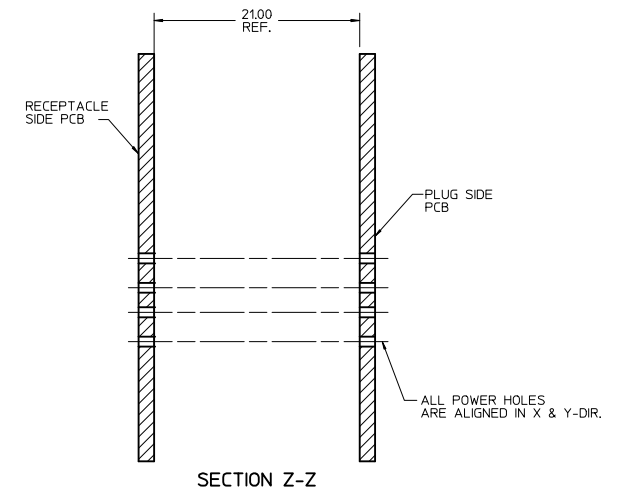
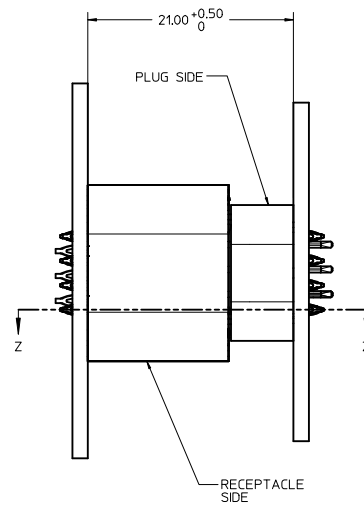
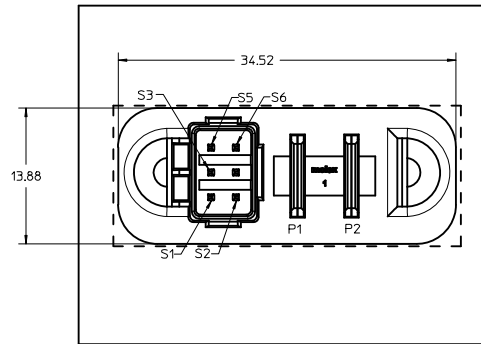
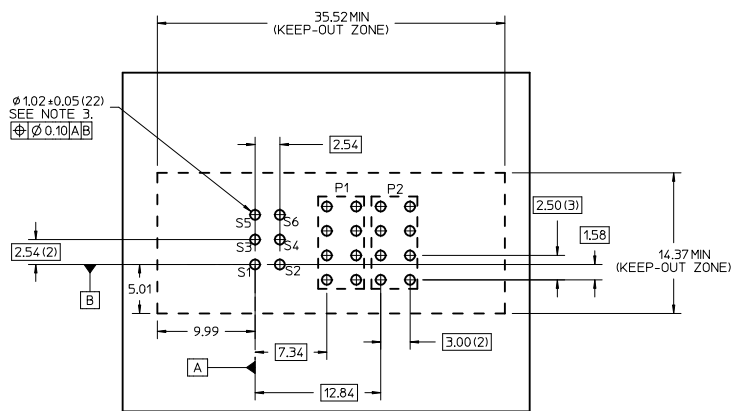


MOLEX P/N: 76546-1093



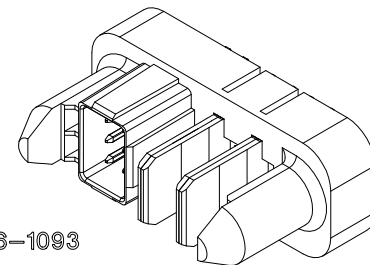
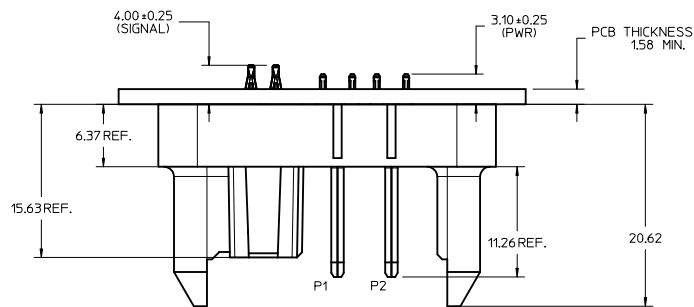
SECTION Z-Z



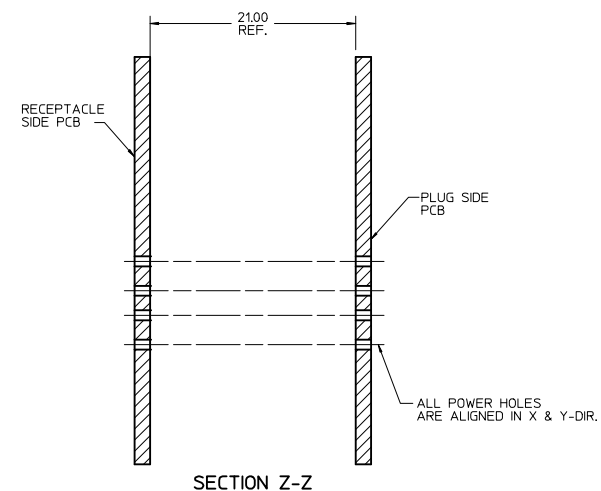
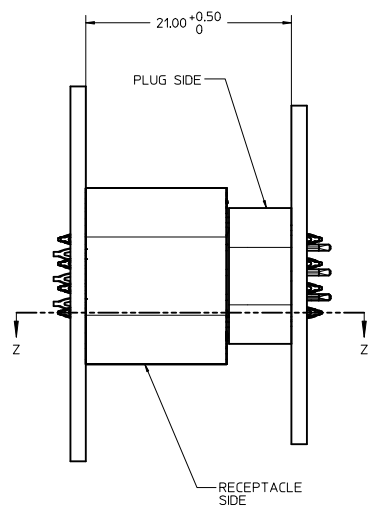
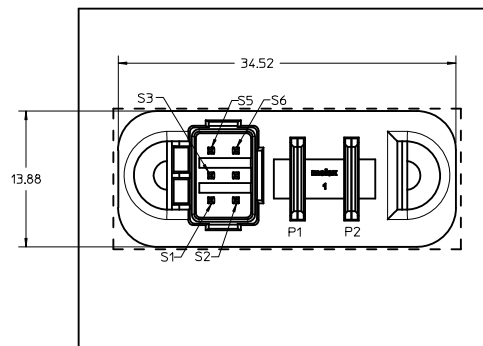
NOTES:

- MATERIAL:
  - HOUSINGS: PBT 30% GF, V-0, COLOR: BLACK.
  - TERMINALS: COPPER ALLOY.
  - PLATING: 0.00127mm NICKEL OVERALL WITH 0.00254mm SELECTIVE MATTE TIN ON TAILS. AND 0.000762mm SELECTIVE GOLD ON CONTACT AREA.
- ASSEMBLIES TO BE TRAY PACKED; STD QUANTITY: TBD.
- PC BOARD REQUIRES PLATED THRU HOLES. REFER TO PS-46436-100 FOR DETAILS.
- PRODUCT SPEC: PS-46436-100.
- APPLICATION SPEC: AS-46436-100.
- SEE PRODUCT SPEC FOR ROHS REQUIREMENTS.
- ASSEMBLY MATES WITH MOLEX RECEPTACLE ASSEMBLY, P/N 46562-1093.

|   |   |   |   |                                   |                                      |                        |
|---|---|---|---|-----------------------------------|--------------------------------------|------------------------|
| REVISE NOTES<br>IEC NO. UCP2012-0378<br>DRAWN BY<br>CHKD:<br>APPR: APATEL<br>2011/08/09<br>2012/06/14 | QUALITY SYMBOLS   | GENERAL TOLERANCES (UNLESS SPECIFIED)   | DIMENSION STYLE<br><b>MM ONLY</b>   | SCALE<br><b>4:1</b>               | DESIGN UNITS<br><b>METRIC</b>        | THIRD ANGLE PROJECTION |
|   | 4 PLACES ± --- ± ---<br>3 PLACES ± --- ± ---<br>2 PLACES ± 0.25 ± ---<br>1 PLACE ± 0.25 ± ---<br>ANGULAR ± 1/2° | mm    INCH<br>BKOSTIC    2010/10/21<br>CHECKED BY    DATE<br>BKOSTIC    2010/10/21<br>APPROVED BY    DATE<br>APATEL    2011/01/10 | DRAWN BY    DATE<br>BKOSTIC    2010/10/21<br>TITLE<br><b>VERTICAL PLUG ASSY<br/>                 6S-2P, PRESS-FIT<br/>                 TEN60 POWER FAMILY</b> | MATERIAL NO.<br><b>76546-1093</b> | DOCUMENT NO.<br><b>SD-76546-1093</b> | MOLEX INCORPORATED     |
| DRAFT WHERE APPLICABLE<br>MUST REMAIN<br>WITHIN DIMENSIONS  |   | THIS DRAWING CONTAINS INFORMATION THAT IS PROPRIETARY TO MOLEX INCORPORATED AND SHOULD NOT BE USED WITHOUT WRITTEN PERMISSION     |   |                                   |                                      |                        |



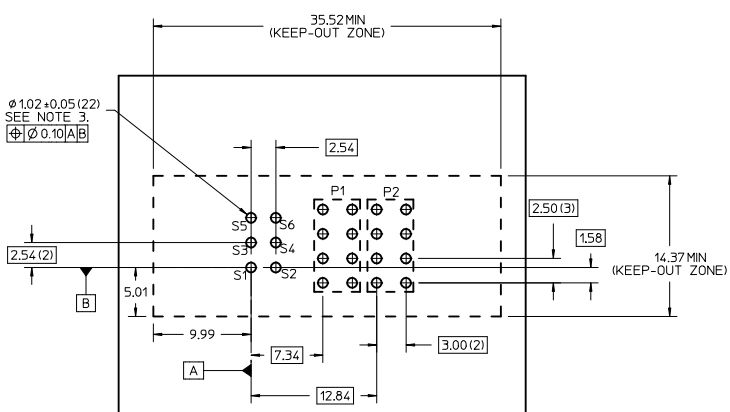
MOLEX P/N: 76546-1093



SECTION Z-Z

NOTES:

- MATERIAL:
  - HOUSINGS: PBT 30% GF, V-0, COLOR: BLACK.
  - TERMINALS: COPPER ALLOY.
  - PLATING: 0.00127mm NICKEL OVERALL WITH 0.00254mm SELECTIVE MATTE TIN ON TAILS. AND 0.000762mm SELECTIVE GOLD ON CONTACT AREA.
- ASSEMBLIES TO BE TRAY PACKED; STD QUANTITY: TBD.
- PC BOARD REQUIRES PLATED THRU HOLES. REFER TO PS-46436-100 FOR DETAILS.
- PRODUCT SPEC: PS-46436-100.
- APPLICATION SPEC: AS-46436-100.
- SEE PRODUCT SPEC FOR ROHS REQUIREMENTS.
- ASSEMBLY MATES WITH MOLEX RECEPTACLE ASSEMBLY, P/N 46562-1093.



|   |   |   |                                   |  |                                      |                        |
|---|---|---|-----------------------------------|--|--------------------------------------|------------------------|
| REVISE NOTES<br>IEC NO. UCP2012-0378<br>DRAWN BY<br>CHKD:<br>APPR: APATEL<br>2011/08/09<br>2012/06/14 | QUALITY SYMBOLS   | GENERAL TOLERANCES (UNLESS SPECIFIED)   | DIMENSION STYLE<br>MM ONLY        | SCALE<br>4:1   | DESIGN UNITS<br>METRIC               | THIRD ANGLE PROJECTION |
|   | 4 PLACES ± --- ± ---<br>3 PLACES ± --- ± ---<br>2 PLACES ± 0.25 ± ---<br>1 PLACE ± 0.25 ± ---<br>ANGULAR ± 1/2° | DRAWN BY DATE<br>BKOSTIC 2010/10/21<br>CHECKED BY DATE<br>BKOSTIC 2010/10/21<br>APPROVED BY DATE<br>APATEL 2011/01/10         | MATERIAL NO.<br><b>76546-1093</b> | TITLE<br><b>VERTICAL PLUG ASSY<br/>                 6S-2P, PRESS-FIT<br/>                 TEN60 POWER FAMILY</b> | DOCUMENT NO.<br><b>SD-76546-1093</b> | SHEET NO.<br>1 OF 1    |
| DRAFT WHERE APPLICABLE MUST REMAIN WITHIN DIMENSIONS  |   | THIS DRAWING CONTAINS INFORMATION THAT IS PROPRIETARY TO MOLEX INCORPORATED AND SHOULD NOT BE USED WITHOUT WRITTEN PERMISSION |                                   |  |                                      |                        |