

4

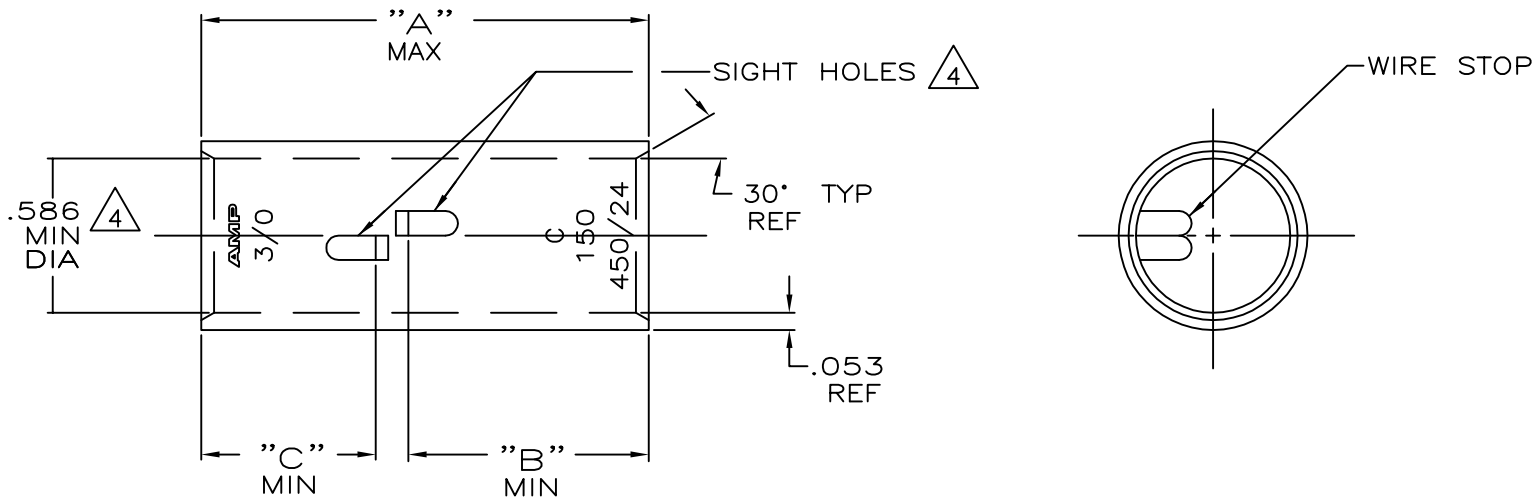
3

2

1

THIS DRAWING IS UNPUBLISHED. RELEASED FOR PUBLICATION
 © COPYRIGHT - By - ALL RIGHTS RESERVED.

LOC	DIST	REVISIONS					
G	86	P	LTR	DESCRIPTION	DATE	DWN	APVD
		R		ECR-13-000998	9FEB2013	PK	HS



- 1 TIN PL .000150 MIN THK MIL-T-10727
- 2 PART NO: 324460; .052 LB.
PART NO: 1-324460-0; .052 LB.
PART NO: 1-324460-3; .061 LB.
- 3 PRELIMINARY - NOT FOR PRODUCTION
- 4 .045 MAX BURR ALLOWED INSIDE THE WIRE BARREL ID IN AREA OF SIGHT HOLE.

.66	.91	1.77	△	150,500-	COPPER	△ 1-324460-3
.66	.66	1.52	CLEANED	190,000	ASTM-B-75	1-324460-0
			△	CM	ANNEALED	324460
"C"	"B"	"A"	FINISH	WIRE RANGE	MATERIAL	PART No

THIS DRAWING IS A CONTROLLED DOCUMENT.

DIMENSIONS: INCHES	TOLERANCES UNLESS OTHERWISE SPECIFIED:	DWN DK SCHRUM 4/24/89	
	0 PLC ± -	CHK MS FEHER 4/24/89	
	1 PLC ± -	APVD WJ VOCKROTH 11/8/89	
	2 PLC ± -	NAME	
MATERIAL SEE TABLE	FINISH SEE TABLE	APPLICATION SPEC	SPLICE, BUTT, AMPPOWER WIRE SIZE: 3/0 AWG
		WEIGHT △	SIZE A3 CAGE CODE 00779 DRAWING NO C=324460 RESTRICTED TO -
		CUSTOMER DRAWING	SCALE 2:1 SHEET 1 OF 1 REV R