



## AC30UNA-R – Three Wire Power Cord for North America



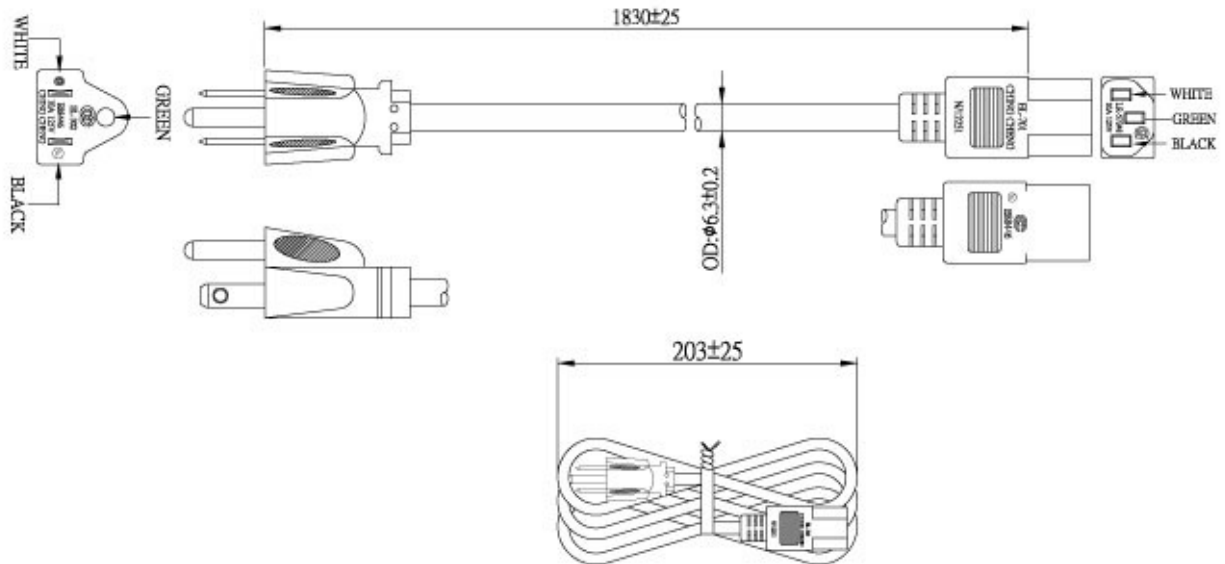
### Specifications

- Plug Type: NEMA 5-15P
- Wire Size 18AWG
- Amperage Rating: 10A
- Connector: IEC320 C13
- Temperature: 60°C
- Voltage Rating: 125V

### Safety Approvals

- CSA
- UL

### Dimension Diagram Unit: mm



Phihong is not responsible for any error and reserves the right to make changes without notice. Please visit our website at [www.phihong.com](http://www.phihong.com) for the most up-to-date specifications and contact information.

**Adapters**

PSA120U-120L6  
PSA120U-240L6  
PSA120U-480L6  
PSA120U-540L6  
PSA120U-560L6  
PSAA18U-120L6  
PSAA18U-150L6  
PSAA18U-240L6  
PSAA18U-480L6  
PSAC30U-050L6  
PSAC30U-090L6  
PSAC30U-120L6  
PSAC30U-240L6  
PSAC30U-480L6  
PSAC30U-560L6  
PSC75U-480  
PSC75U-560

**Power over Ethernet  
(IEEE802.3af)**

POE21U-1AF  
POE125U-8-N  
POE125U-8-C  
POE370U-480-8  
POE370U-480-8-N  
POE370U-480-16  
POE370U-480-16-N  
POE370U-480-24  
POE370U-480-24-N

**Power over Ethernet  
(Ultra/Mega Power)**

POE61U-560D  
POE61U-560DG  
POE75U-1UP  
POE75U-1UP-N  
POE75U-1UP(PD)  
POE80U-560(G)  
POE240U-4UP-N  
POE480U-4UP  
POE480U-8UP  
POE576U-8UP-N  
POE240U-2MP-N  
POE576U-4MP-N

**Power over Ethernet  
(IEEE802.3af)**

POE30U-560(G)-HT  
POE29U-1AT  
POE29U-560  
POE125U-4-AT  
POE125U-4AT-N  
POE576U-8AT  
POE576U-8AT-N  
POE576U-16AT  
POE576U-16AT-N  
POE576U-24AFAT  
POE576U-24AFAT-N

**Power Supplies**

PSM500-210  
PSM500-216  
PSM1000-216