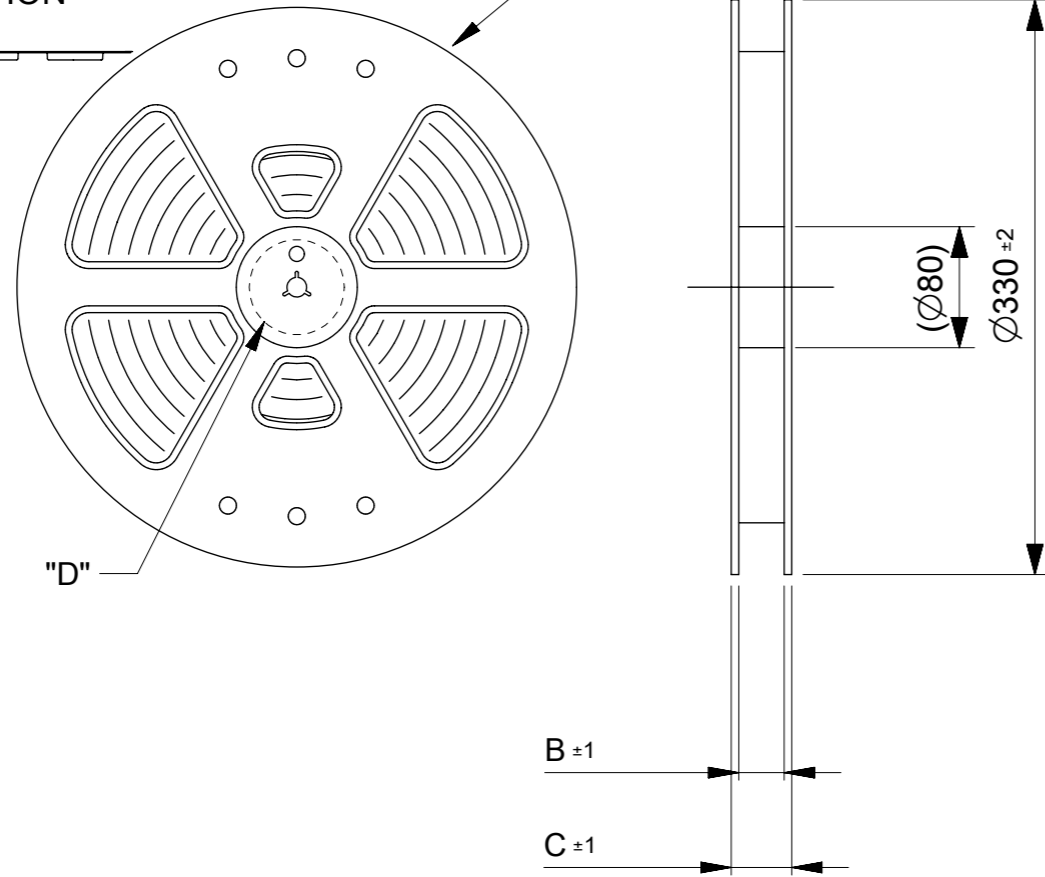
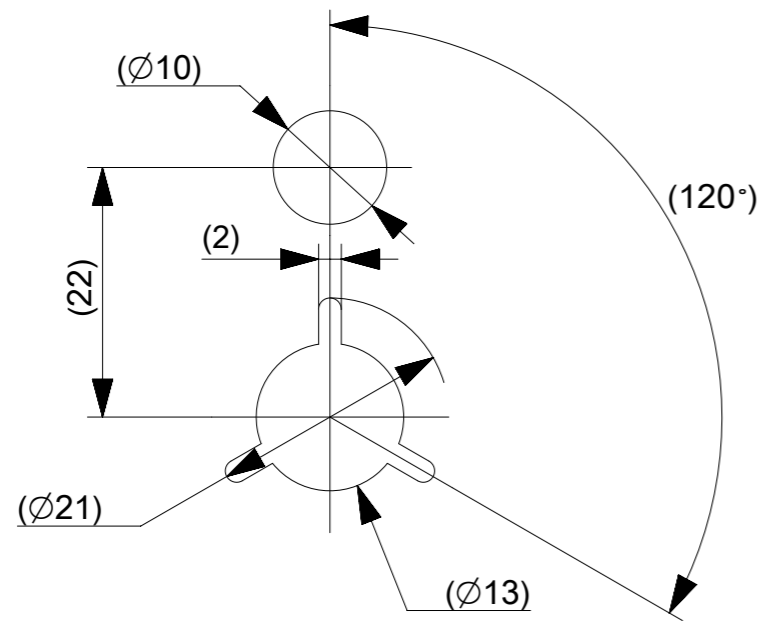


PULL OUT DIRECTION

REEL



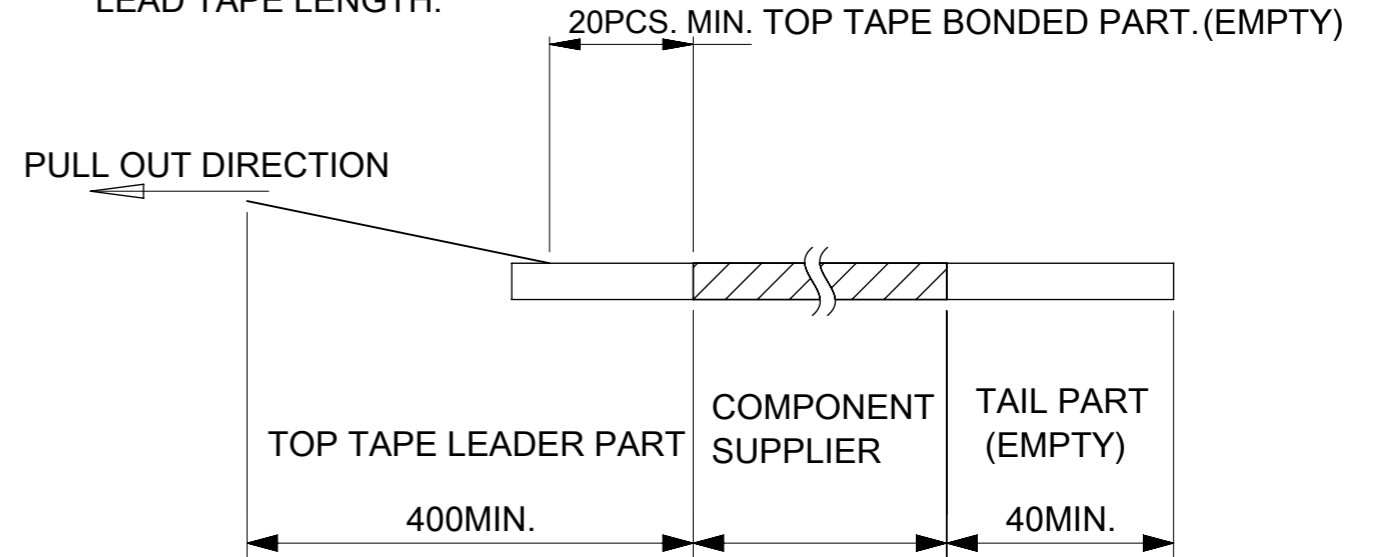
"D"



DETAIL "D"

NOTES

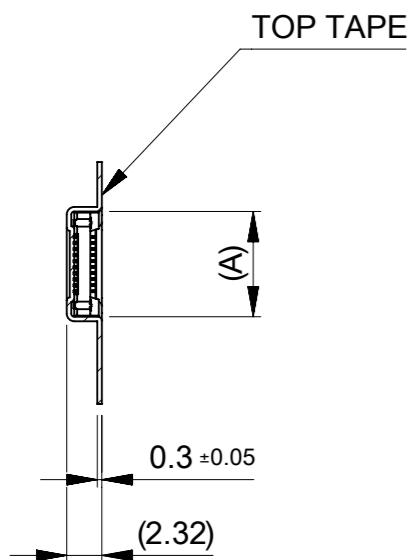
1. RE DETAILED DIMENSION, SEE PRODUCT DRAWING.
2. NUMBER OF CONNECTORS : 3000 PCS/REEL.
3. LEAD TAPE LENGTH.



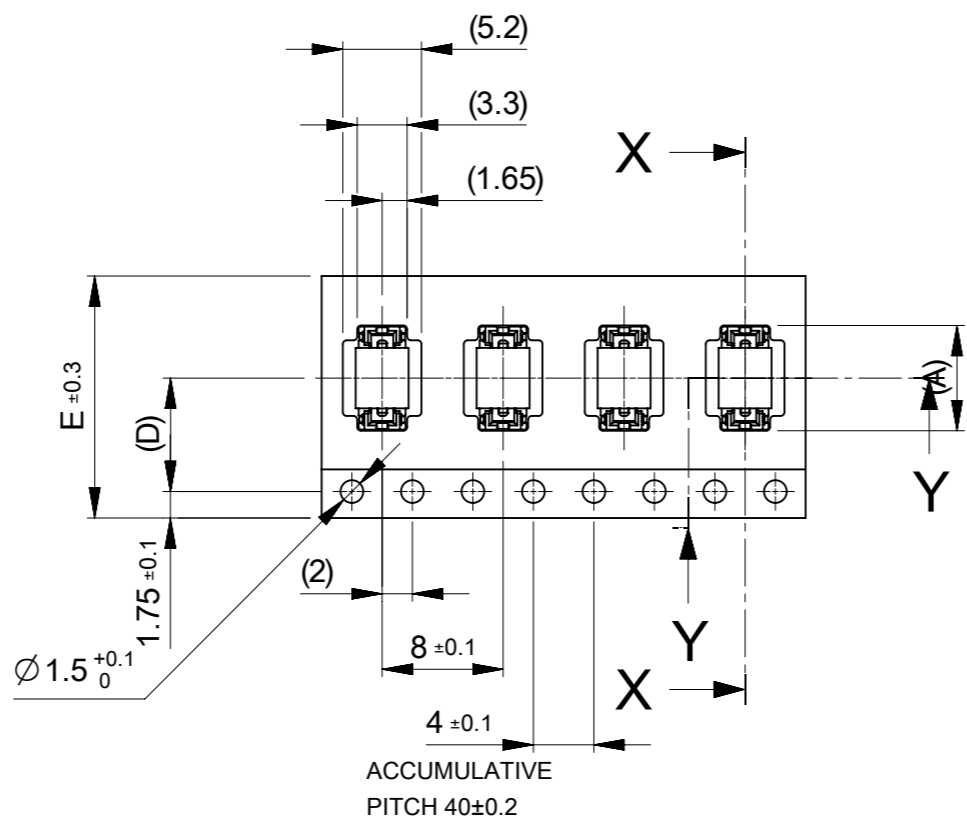
4. TOP TAPE PEEL FORCE IS DEFINED BY IEC60286-3
5. MATERIAL
 CARRIER TAPE : POLYSTYRENE
 TOP TAPE : PET , OTHER
 REEL : POLYSTYRENE(PS)(RECYCLE MATERIAL CONTAINED)

THIS DRAWING CONTAINS INFORMATION THAT IS PROPRIETARY TO MOLEX ELECTRONIC TECHNOLOGIES, LLC AND SHOULD NOT BE USED WITHOUT WRITTEN PERMISSION									
DIMENSION UNITS		SCALE		CURRENT REV DESC:				molex	
mm		1:5							
GENERAL TOLERANCES (UNLESS SPECIFIED)				EC NO: 663038				0.4 FLOATING BOARD TO BOARD CONN. H=3	
ANGULAR TOL ± 1.0°				DRWN: AHMADI2 2020/12/21				FSB3 REC EMBOSSTAPE PKG	
4 PLACES ± 0.01				CHK'D: TKON 2021/05/21				PRODUCT CUSTOMER DRAWING	
3 PLACES ± 0.03				APPR: SHOSHIKAWA 2021/05/21				DOCUMENT NUMBER	
2 PLACES ± 0.05				INITIAL REVISION:				2049270000-SD	
1 PLACE ± 0.1				DRWN: JFURUKAWA 2019/01/31				DOC TYPE	
0 PLACES ± 0.2				APPR: SHOSHIKAWA 2020/05/20				PSD	
DRAFT WHERE APPLICABLE MUST REMAIN WITHIN DIMENSIONS		THIRD ANGLE PROJECTION		DRAWING		SERIES		MATERIAL NUMBER	
				A3-SIZE		204927		CUSTOMER	
						SEE CHART		GENERAL	
								SHEET NUMBER	
								1 OF 2	

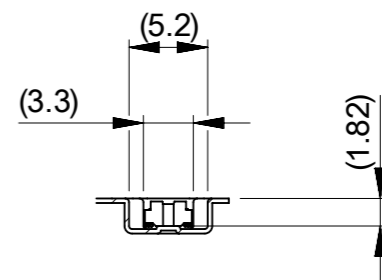
PULL OUT DIRECTION



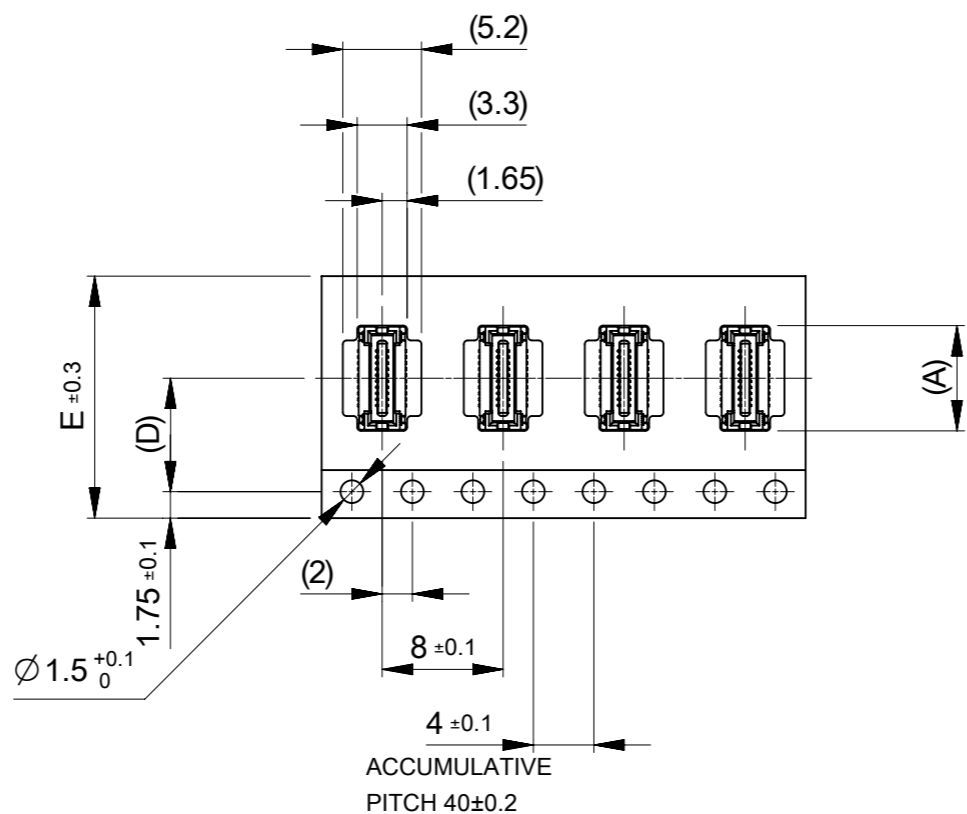
SECTION X-X



2049270**1 (WITH COVER TAPE)



SECTION Y-Y

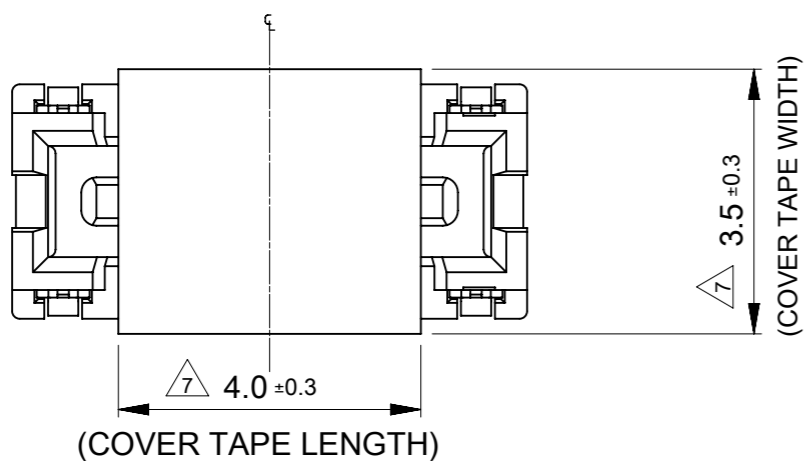
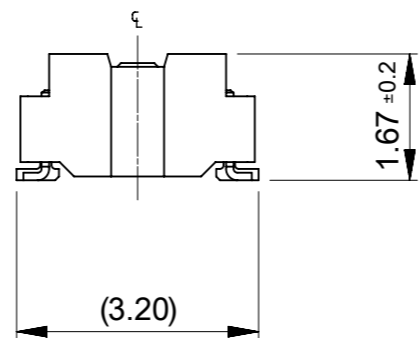
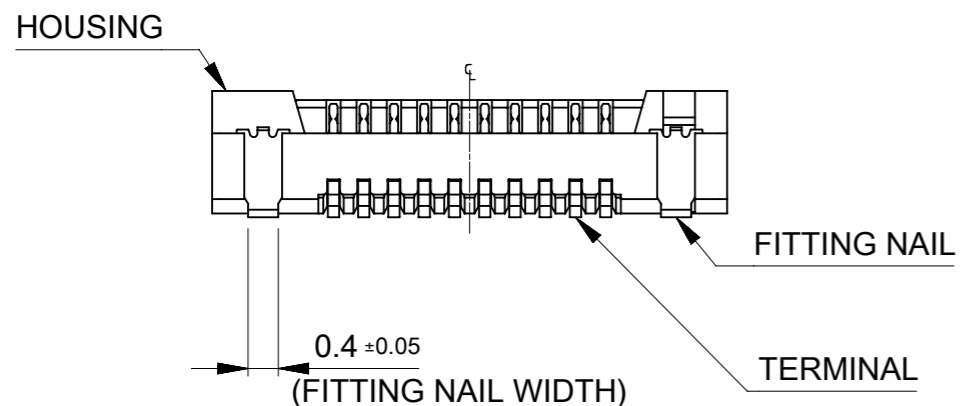
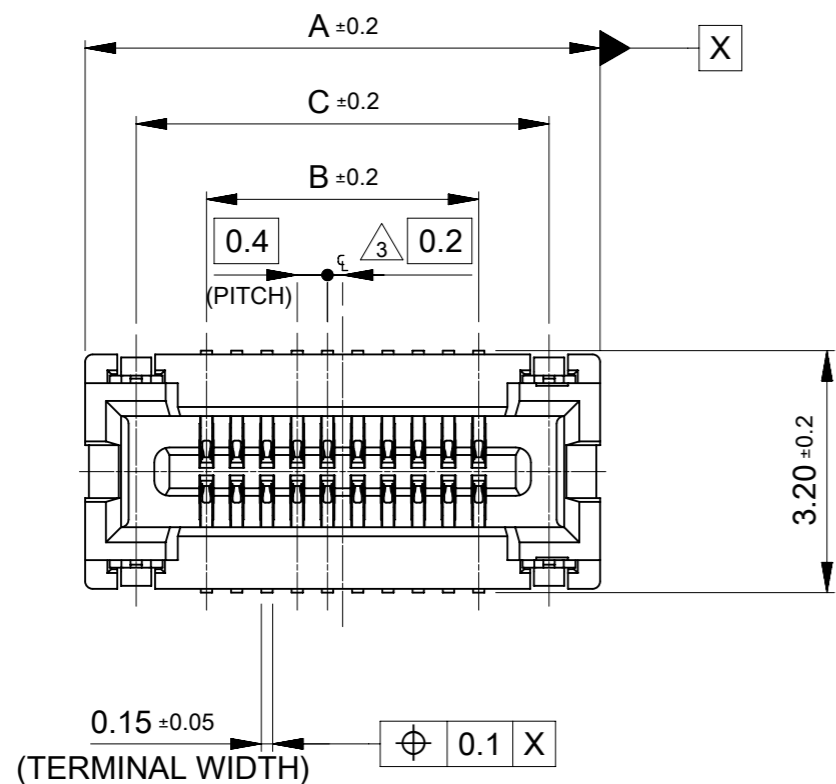


2049270**2 (WITHOUT COVER TAPE)

24	11.5	29.4	25.4	14.96	2049270602	2049270601	60
				12.96	2049270502	2049270501	50
				10.96	2049270402	2049270401	40
				8.96	2049270302	2049270301	30
16	7.5	21.4	17.4	6.96	2049270202	2049270201	20
E	(D)	C	B	(A)	WITHOUT COVER TAPE	WITH COVER TAPE	CIRCUIT
ORDER No.							

THIS DRAWING CONTAINS INFORMATION THAT IS PROPRIETARY TO MOLEX ELECTRONIC TECHNOLOGIES, LLC AND SHOULD NOT BE USED WITHOUT WRITTEN PERMISSION

DIMENSION UNITS mm	SCALE 2:1	CURRENT REV DESC:		molex			
GENERAL TOLERANCES (UNLESS SPECIFIED)		EC NO: 663038					
ANGULAR TOL	± 1.0 °	DRWN: AHMADI2		PRODUCT CUSTOMER DRAWING			
4 PLACES	± 0.01	CHK'D: TKON		DOCUMENT NUMBER			
3 PLACES	± 0.03	APPR: SHOSHIKAWA		2049270000-SD			
2 PLACES	± 0.05	INITIAL REVISION:		DOC TYPE			
1 PLACE	± 0.1	DRWN: JFURUKAWA		PSD			
0 PLACES	± 0.2	APPR: SHOSHIKAWA		DOC PART			
DRAFT WHERE APPLICABLE MUST REMAIN WITHIN DIMENSIONS		THIRD ANGLE PROJECTION		DRAWING		REVISION	
		A3-SIZE		SERIES		C	
		204927		MATERIAL NUMBER		SHEET NUMBER	
		SEE CHART		CUSTOMER		2 OF 2	
		GENERAL					



COVER TAPE LAYOUT

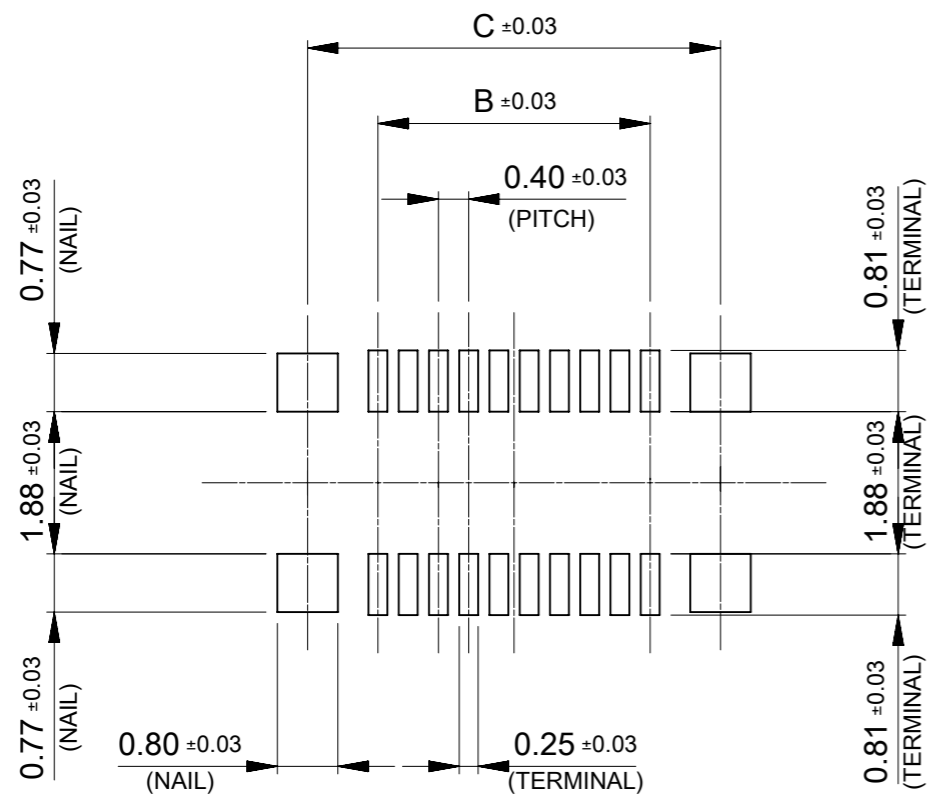
NOTES

- 1 MATERIAL
HOUSING: LIQUID CRYSTAL POLYMER UL94V-0 (COLOR :BLACK)
TERMINAL: COPPER ALLOY
FITTING NAIL: COPPER ALLOY
COVER TAPE: POLYIMIDE
- 2 PLATING
TERMINAL :
CONTACT AREA: GOLD PLATING.
SOLDER TAIL AREA: GOLD PLATING.
UNDERPLATING: NICKEL OVERALL.
*DIVIDE INTO PARTS THE GOLD PLATING OF CONTACT AREA AND TAIL AREA BY THE NICKEL PLATING.
FITTING NAIL:
SURFACE:TIN OVERALL
UNDERPLATING: NICKEL OVERALL.
- △3 APPLY FOR (CIRCUIT/2)=EVEN.
- 4 MATE WITH :204928****
- 5 TAIL AND FITTING NAIL COPLANARITY TO BE 0.1MAXIMUM.
- △6 STACK HEIGHT IS KEPT FIXED BY SPACER.
- △7 COMMON LENGTH TO ALL CIRCUIT.
- △8 THIS DIMENSION SHOWS THE DIMENSION BETWEEN SOLDERING SURFACE OF SOLDER TAILS.

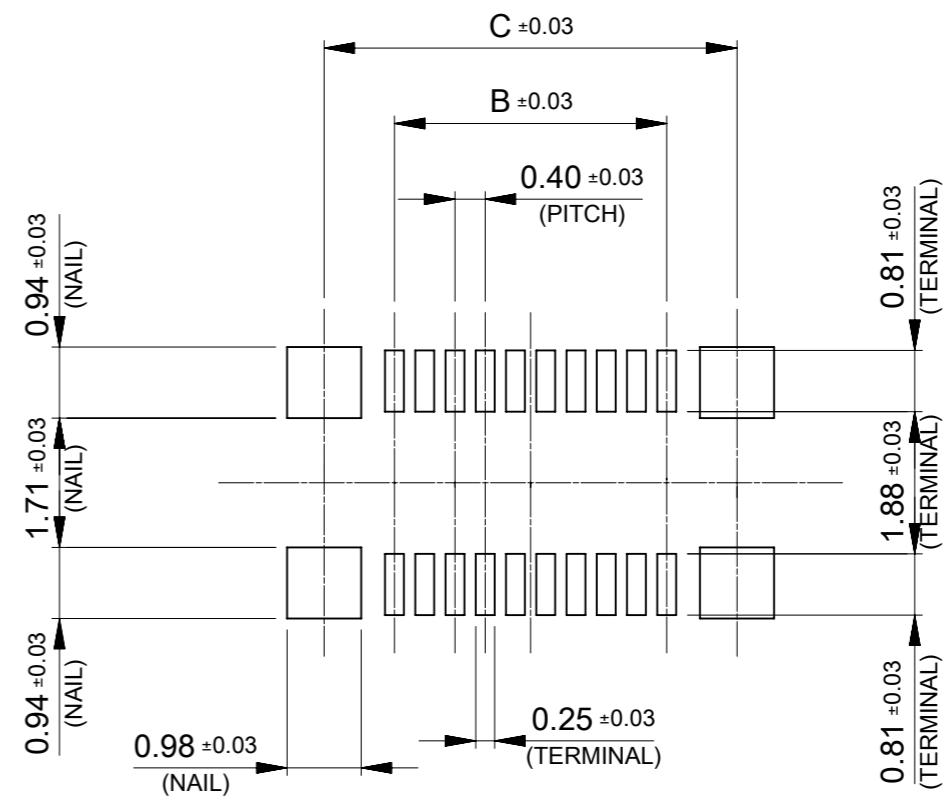
13.46	11.6	14.81	2049270602	2049270601	60
11.46	9.6	12.81	2049270502	2049270501	50
9.46	7.6	10.81	2049270402	2049270401	40
7.46	5.6	8.81	2049270302	2049270301	30
5.46	3.6	6.81	2049270202	2049270201	20
C	B	A	WITHOUT COVER TAPE	WITH COVER TAPE	CIRCUIT
			EMBOSSED TAPE PACKAGE		
			ORDER NO.		

THIS DRAWING CONTAINS INFORMATION THAT IS PROPRIETARY TO MOLEX ELECTRONIC TECHNOLOGIES, LLC AND SHOULD NOT BE USED WITHOUT WRITTEN PERMISSION

DIMENSION UNITS mm	SCALE 10:1	CURRENT REV DESC:		molex	
GENERAL TOLERANCES (UNLESS SPECIFIED)		EC NO: 663038			
ANGULAR TOL ± 3.0°	4 PLACES ± 0.03	DRWN: AHMADI2	2020/12/21	PRODUCT CUSTOMER DRAWING	
3 PLACES ± 0.03	2 PLACES ± 0.05	CHK'D: TKON	2021/05/21	DOCUMENT NUMBER	
1 PLACE ± 0.1	0 PLACES ± 0.2	APPR: SHOSHIKAWA	2021/05/21	2049271000-SD	DOC TYPE DOC PART REVISION
DRAFT WHERE APPLICABLE MUST REMAIN WITHIN DIMENSIONS	THIRD ANGLE PROJECTION	INITIAL REVISION:	DRWN: JFURUKAWA	2018/11/22	PSD 000 C
		APPR: SHOSHIKAWA	2020/05/20	SEE CHART	CUSTOMER
				GENERAL	SHEET NUMBER
					1 OF 2

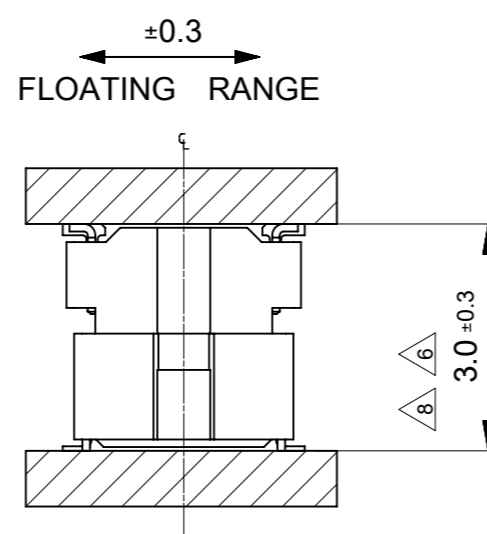
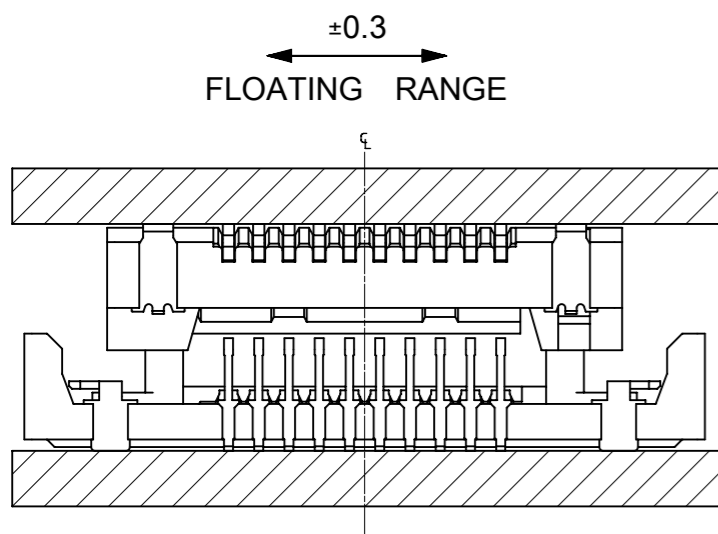


RECOMMENDED P.W. BOARD PATTERN LAYOUT(REFERENCE)



RECOMMENDED METAL MASK LAYOUT(REFERENCE)

RECOMMENDED THICKNESS OF METAL MASK : $t=0.1\text{mm}$
 RECOMMENDED OPEN APERTURE RATIO OF METAL MASK : TERMINAL 100%, NAIL 150%



THIS DRAWING CONTAINS INFORMATION THAT IS PROPRIETARY TO MOLEX ELECTRONIC TECHNOLOGIES, LLC AND SHOULD NOT BE USED WITHOUT WRITTEN PERMISSION		CURRENT REV DESC:		molex		
DIMENSION UNITS	SCALE					0.4 FLOATING BOARD TO BOARD CONN. H=3 FSB3 REC ASSY
mm	10:1			PRODUCT CUSTOMER DRAWING		
GENERAL TOLERANCES (UNLESS SPECIFIED)		EC NO: 663038		DOCUMENT NUMBER		
ANGULAR TOL ± 3.0°		DRWN: AHMADI2 2020/12/21		2049271000-SD		
4 PLACES ± 0.03		CHK'D: TKON 2021/05/21		DOC TYPE DOC PART REVISION		
3 PLACES ± 0.03		APPR: SHOSHIKAWA 2021/05/21		PSD 000 C		
2 PLACES ± 0.05		INITIAL REVISION:		MATERIAL NUMBER		
1 PLACE ± 0.1		DRWN: JFURUKAWA 2018/11/22		CUSTOMER		
0 PLACES ± 0.2		APPR: SHOSHIKAWA 2020/05/20		GENERAL		
DRAFT WHERE APPLICABLE MUST REMAIN WITHIN DIMENSIONS		THIRD ANGLE PROJECTION	DRAWING	SHEET NUMBER	SHEET NUMBER	
			A3-SIZE	204927	2 OF 2	