

6

5

4

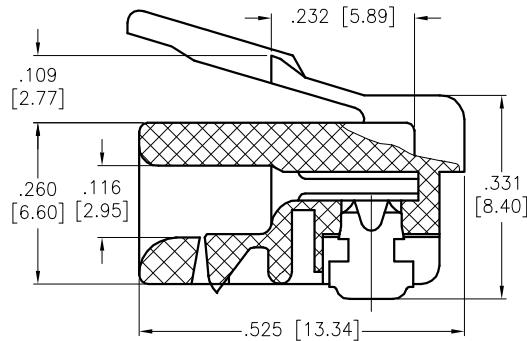
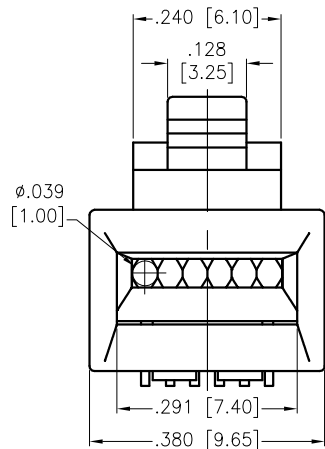
3

2

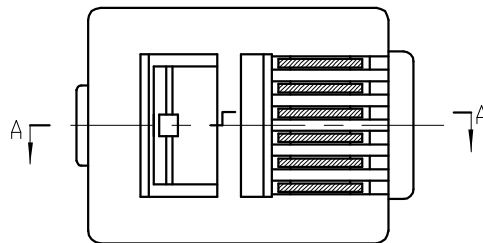
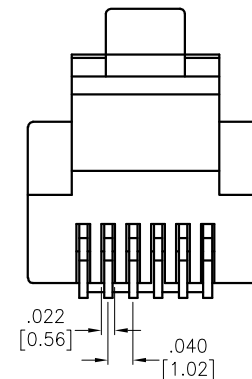
1

APPROVED: _____
 DATE: _____ TITLE: _____

Rev	AWO #	Description	Date	Appr
-		RELEASED	10/4/04	
A		REDRAWN	12/4/12	
B		UPDATE SPEC.	11/21/17	AY/RT



SECTION A-A



SPECIFICATIONS:

Material:

Insulator: Polycarbonate, rated UL 94V-0

Insulator color: Clear

Contacts: Copper Alloy

Plating:

Gold over Nickel underplate on contact area

Electrical:

Voltage Rating: 150 VAC max

Current rating: 1.5 Amps max

Contact Resistance: 20 mohms max.

Insulation resistance: 1000 Mohms min @500 VDC

Contact to Contact: 1,000 VDC or AC Peak for 1 minute

Contact to Shield: 1,500 VDC or AC Peak for 1 minute

Temperature Rating:

Operating temperature: -25°C to +55°C

Environmental:

Lead free, RoHS compliant

"X"	PLATING
X	Gold flash
U	15 μ n
W	30 μ n
G	50 μ n

UNLESS OTHERWISE SPECIFIED
 ALL DIMENSIONS ARE INCHES [MM]
 TOLERANCES: EXCEPT AS NOTED

INCHES		HOLES	
.X	$\pm .10$	ϕ .X	$\pm .10$
.XX	$\pm .020$	ϕ .XX	$\pm .015$
.XXX	$\pm .015$	ϕ .XXX	$\pm .010$

ADAM TECH

909 Rahway Avenue, Union, NJ 07083
 Phone: 908-687-5000 Fax: 908-687-5710

TITLE		MODULAR TELEPHONE PLUG, 6P6C STANDARD OVAL WIRE TYPE	
SIZE	PART NO.	REV.	
X	MTP-66-X	B	
REF:	S00005C	SCALE:	NTS
		SHEET 1 OF 1	

APPROVALS		DATE
DRAWN	SS	10/4/04
CHECKED		
APPROVED		



6

5

4

3

2

1