

## 19-OUTPUT PCIe GEN 3 BUFFER

### Features

- Nineteen 0.7 V low-power, push-pull HCSL PCIe Gen 3 outputs
- 100 MHz /133 MHz PLL operation, supports PCIe and QPI
- PLL bandwidth SW SMBUS programming overrides the latch value from HW pin
- 9 selectable SMBUS addresses
- SMBus address configurable to allow multiple buffers in a single control network 3.3 V supply voltage operation
- Separate VDDIO for outputs
- Integrated termination resistors supporting 85 Ω transmission lines
- PLL or bypass mode
- Spread spectrum tolerable
- 1.05 to 3.3 V I/O supply voltage
- 50 ps output-to-output skew
- 50 ps cyc-cyc jitter (PLL mode)
- Low phase jitter (Intel® QPI, PCIe Gen 1/Gen 2/Gen 3 common clock compliant)
- 100 ps input-to-output delay
- Gen3 SRNS Compliant
- Extended Temperature: -40 to 85 °C
- 72-pin QFN
- For variations of this device, contact Skyworks Solutions

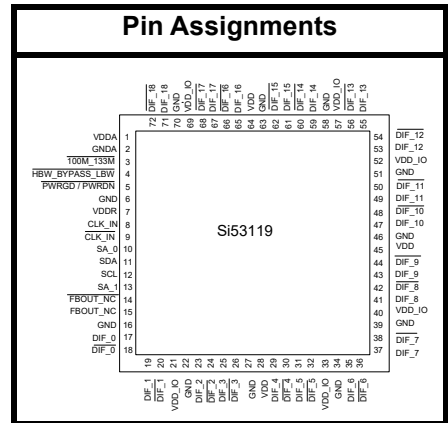


### Applications

- Server
- Storage
- Data center
- Enterprise switches and routers

### Description

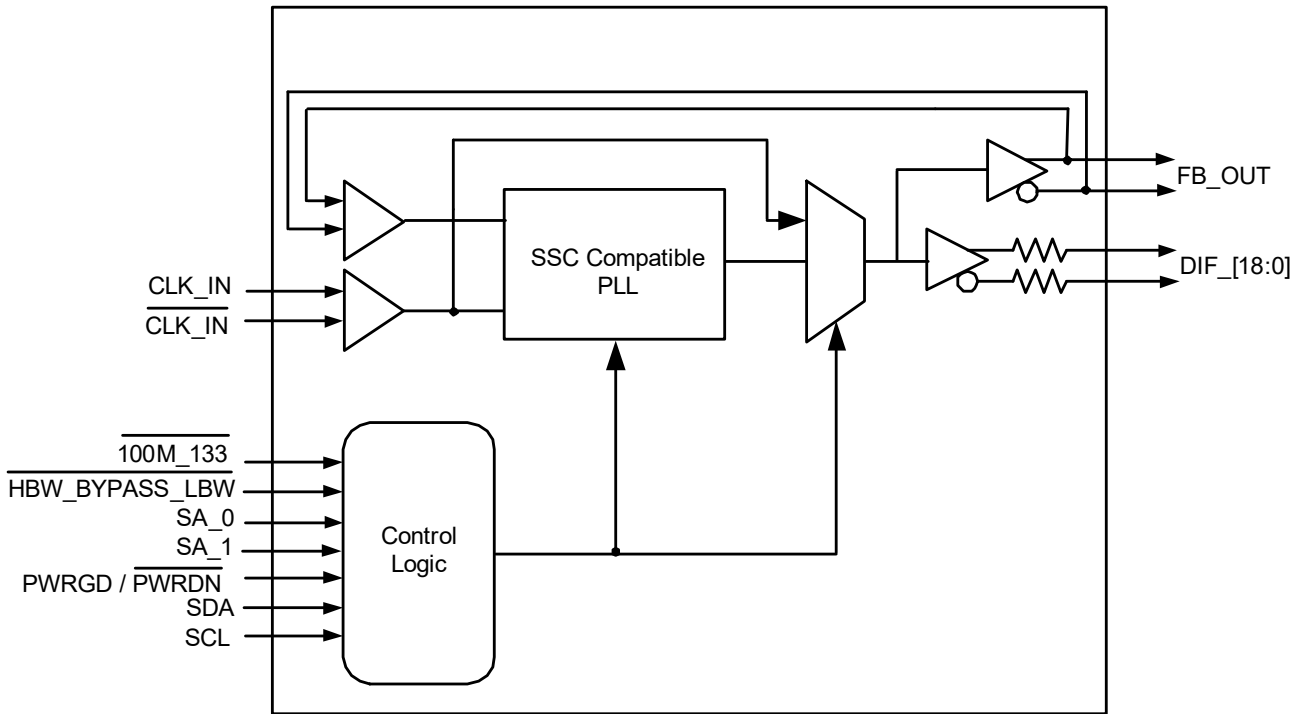
The Si53119-A03A is a 19-output, low-power HCSL differential clock buffer that meets all of the performance requirements of the Intel DB1200ZL specification. To reduce board space and bill of material cost, the device fully integrates all external resistors, supporting 85 Ω transmission lines. It is optimized for distributing reference clocks for Intel® QuickPath Interconnect (Intel QPI), PCIe Gen 1/Gen 2/Gen 3/Gen 4, SAS, SATA, and Intel Scalable Memory Interconnect (Intel SMI) applications. The VCO of the device is optimized to support 100 MHz and 133 MHz operation. Each differential output can be enabled through I<sup>2</sup>C for maximum flexibility and power savings. Measuring PCIe clock jitter is quick and easy with the Skyworks Solutions PCIe Clock Jitter Tool. Download it for free at <https://www.skyworksinc.com/en/application-pages/pci-express-learning-center>.



Patents pending

# Si53119-A03A

## Functional Block Diagram



---

**TABLE OF CONTENTS**


---

<b>Section</b>	<b>Page</b>
<b>1. Electrical Specifications</b> .....	<b>4</b>
<b>2. Functional Description</b> .....	<b>13</b>
2.1. CLK_IN, CLK_IN .....	13
2.2. 100M_133M—Frequency Selection .....	13
2.3. SA_0, SA_1—Address Selection .....	13
2.4. CKPWRGD/PWRDN .....	14
2.5. HBW_BYPASS_LBW .....	15
2.6. Miscellaneous Requirements .....	16
<b>3. Test and Measurement Setup</b> .....	<b>17</b>
3.1. Input Edge .....	17
3.2. Termination of Differential Outputs .....	18
<b>4. Control Registers</b> .....	<b>19</b>
4.1. Byte Read/Write .....	19
4.2. Block Read/Write .....	20
4.3. Control Registers .....	21
<b>5. Pin Descriptions: 72-Pin QFN</b> .....	<b>26</b>
<b>6. Power Filtering Example</b> .....	<b>30</b>
6.1. Ferrite Bead Power Filtering .....	30
<b>7. Ordering Guide</b> .....	<b>31</b>
<b>8. Package Outline</b> .....	<b>32</b>
<b>9. Land Pattern: 72-pin QFN</b> .....	<b>33</b>
<b>Document Change List</b> .....	<b>34</b>

# Si53119-A03A

## 1. Electrical Specifications

**Table 1. DC Operating Characteristics**

$V_{DD\_A} = 3.3\text{ V} \pm 5\%$ ,  $V_{DD} = 3.3\text{ V} \pm 5\%$

Parameter	Symbol	Test Condition	Min	Max	Unit
3.3 V Core Supply Voltage	VDD/VDD_A	3.3 V $\pm 5\%$	3.135	3.465	V
3.3 V I/O Supply Voltage <sup>1</sup>	VDD_IO	1.05 V to 3.3 V $\pm 5\%$	0.9975	3.465	V
3.3 V Input High Voltage	V <sub>IH</sub>	VDD	2.0	VDD+0.3	V
3.3 V Input Low Voltage	V <sub>IL</sub>		VSS-0.3	0.8	V
Input Leakage Current <sup>2</sup>	I <sub>IL</sub>	0 < V <sub>IN</sub> < VDD	-5	+5	$\mu\text{A}$
3.3 V Input High Voltage <sup>3</sup>	V <sub>IH_FS</sub>	VDD	0.7	VDD+0.3	V
3.3 V Input Low Voltage <sup>3</sup>	V <sub>IL_FS</sub>		VSS-0.3	0.35	V
3.3 V Input Low Voltage	V <sub>IL_Tri</sub>		0	0.9	V
3.3 V Input Med Voltage	V <sub>IM_Tri</sub>		1.3	1.8	V
3.3 V Input High Voltage	V <sub>IH_Tri</sub>		2.4	VDD	V
3.3 V Output High Voltage <sup>4</sup>	V <sub>OH</sub>	I <sub>OH</sub> = -1 mA	2.4	—	V
3.3 V Output Low Voltage <sup>4</sup>	V <sub>OL</sub>	I <sub>OL</sub> = 1 mA	—	0.4	V
Input Capacitance <sup>5</sup>	C <sub>IN</sub>		2.5	4.5	pF
Output Capacitance <sup>5</sup>	C <sub>OUT</sub>		2.5	4.5	pF
Pin Inductance	L <sub>PIN</sub>		—	7	nH
Ambient Temperature	T <sub>A</sub>	No Airflow	0	70	°C

**Notes:**

1. VDD\_IO applies to the low-power NMOS push-pull HCSL compatible outputs.
2. Input Leakage Current does not include inputs with pull-up or pull-down resistors. Inputs with resistors should state current requirements.
3. Internal voltage reference is to be used to guarantee V<sub>IH\_FS</sub> and V<sub>IL\_FS</sub> threshold levels over full operating range.
4. Signal edge is required to be monotonic when transitioning through this region.
5. C<sub>comp</sub> capacitance based on pad metalization and silicon device capacitance. Not including pin capacitance.

Table 2. SMBus Characteristics

Parameter	Symbol	Test Condition	Min	Max	Unit
SMBus Input Low Voltage <sup>1</sup>	$V_{ILSMB}$		—	0.8	V
SMBus Input High Voltage <sup>1</sup>	$V_{IHSMB}$		2.1	$V_{DDSMB}$	V
SMBus Output Low Voltage <sup>1</sup>	$V_{OLSMB}$	@ $I_{PULLUP}$		0.4	V
Nominal Bus Voltage <sup>1</sup>	$V_{DDSMB}$	@ $V_{OL}$	2.7	5.5	V
SMBus sink Current <sup>1</sup>	$I_{PULLUP}$	3 V to 5 V +/-10%	4	—	mA
SCLK/SDAT Rise Time <sup>1</sup>	$t_{RSMB}$	(Max $V_{IL} - 0.15$ ) to (Min $V_{IH} + 0.15$ )	—	1000	ns
SCLK/SDAT Fall Time <sup>1</sup>	$t_{FSMB}$	(Min $V_{IH} + 0.15$ ) to (Max $V_{IL} - 0.15$ )	—	300	ns
SMBus Operating Frequency <sup>1,2</sup>	$f_{MINSMB}$	Minimum Operating Frequency	100	—	kHz

**Notes:**

- Guaranteed by design and characterization
- The differential input clock must be running for the SMBus to be active

Table 3. Current Consumption

$T_A = 0-70\text{ }^\circ\text{C}$ ; supply voltage  $V_{DD} = 3.3\text{ V} \pm 5\%$

Parameter	Symbol	Test Condition	Min	Typ	Max	Unit
Operating Current	$IDD_{VDD}$	100 MHz, VDD Rail, $Z_o=85\Omega$	—	25	35	mA
	$IDD_{VDDA}$	100 MHz, VDDA + VDDR, PLL Mode, $Z_o=85\Omega$	—	16	20	mA
	$IDD_{VDDIO}$	100 MHz, CL = Full Load, VDDIO Rail, $Z_o=85\Omega$	—	130	150	mA
Power Down Current	$IDD_{VDDPD}$	Power Down, VDD Rail	—	1.5	2	mA
	$IDD_{VDDAPD}$	Power Down, VDDA Rail	—	8	12	mA
	$IDD_{VDDIOPD}$	Power Down, VDD_IO Rail	—	0.17	0.5	mA

# Si53119-A03A

**Table 4. Clock Input Parameters**

$T_A = 0-70\text{ }^\circ\text{C}$ ; supply voltage  $V_{DD} = 3.3\text{ V} \pm 5\%$

Parameter	Symbol	Test Condition	Min	Typ	Max	Unit
Input High Voltage	$V_{IHDIF}$	Differential Inputs (singled-ended measurement)	600	700	1150	mV
Input Low Voltage	$V_{IHDIF}$	Differential Inputs (singled-ended measurement)	$V_{SS}-300$	0	300	mV
Input Common Mode Voltage	$V_{com}$	Common mode input voltage	300	—	1000	mV
Input Amplitude, CLK_IN	$V_{swing}$	Peak to Peak Value	300	—	1450	mV
Input Slew Rate, CLK_IN	$dv/dt$	Measured differentially	0.4	—	8	V/ns
Input Duty Cycle		Measurement from differential wave form	45	50	55	%
Input Jitter—Cycle to Cycle	$J_{DFin}$	Differential measurement	—	—	125	ps
Input Frequency	$F_{ibyp}$	VDD = 3.3 V, bypass mode	33	—	150	MHz
	$F_{iPLL}$	VDD = 3.3 V, 100 MHz PLL Mode	90	100	110	MHz
	$F_{iPLL}$	VDD = 3.3 V, 133.33 MHz PLL Mode	120	133.33	147	MHz
Input SS Modulation Rate	$f_{MODIN}$	Triangle wave modulation	30	31.5	33	kHz

**Table 5. Output Skew, PLL Bandwidth and Peaking**T<sub>A</sub> = 0–70 °C; supply voltage V<sub>DD</sub> = 3.3 V ±5%

Parameter	Test Condition	Min	Typ	Max	Unit
CLK_IN, DIF[x:0]	Input-to-Output Delay in PLL Mode Nominal Value <sup>1,2,3,4</sup>	–100	18	100	ps
CLK_IN, DIF[x:0]	Input-to-Output Delay in Bypass Mode Nominal Value <sup>2,4,5</sup>	2.5	3.6	4.5	ns
CLK_IN, DIF[x:0]	Input-to-Output Delay Variation in PLL mode Over Voltage and Temperature <sup>2,4,5</sup>	–50	20	50	ps
CLK_IN, DIF[x:0]	Input-to-Output Delay Variation in Bypass Mode Over Voltage and Temperature <sup>2,4,5</sup>	–250	—	250	ps
DIF[11:0]	Output-to-Output Skew across all 19 Outputs (Common to Bypass and PLL Mode) <sup>1,2,3,4,5</sup>	0	20	50	ps
PLL Jitter Peaking	(HBW_BYPASS_LBW = 0) <sup>6</sup>	—	0.4	2.0	dB
PLL Jitter Peaking	(HBW_BYPASS_LBW = 1) <sup>6</sup>	—	0.1	2.5	dB
PLL Bandwidth	(HBW_BYPASS_LBW = 0) <sup>7</sup>	—	0.7	1.4	MHz
PLL Bandwidth	(HBW_BYPASS_LBW = 1) <sup>7</sup>	—	2	4	MHz

**Notes:**

1. Measured into fixed 2 pF load cap. Input-to-output skew is measured at the first output edge following the corresponding input.
2. Measured from differential cross-point to differential cross-point.
3. This parameter is deterministic for a given device.
4. Measured with scope averaging on to find mean value.
5. All Bypass Mode Input-to-Output specs refer to the timing between an input edge and the specific output edge created by it.
6. Measured as maximum pass band gain. At frequencies within the loop BW, highest point of magnification is called PLL jitter peaking.
7. Measured at 3 dB down or half power point.

**Table 6. Phase Jitter**

Parameter	Test Condition	Min	Typ	Max	Unit
Phase Jitter PLL Mode	PCIe Gen 1, Common Clock <sup>1,2,3</sup>	—	25	86	ps
	PCIe Gen 2 Low Band, Common Clock F < 1.5 MHz <sup>1,3,4,5</sup>	—	2.5	3.0	ps (RMS)
	PCIe Gen 2 High Band, Common Clock 1.5 MHz < F < Nyquist <sup>1,3,4,5</sup>	—	2.5	3.1	ps (RMS)
	PCIe Gen 3, Common Clock (PLL BW 2–4 MHz, CDR = 10 MHz) <sup>1,3,4,5</sup>	—	0.5	1.0	ps (RMS)
	PCIe Gen 3 Separate Reference No Spread, SRNS <sup>6</sup> (PLL BW of 2-4 or 2-5 MHz, CDR = 10 MHz) <sup>1,3,4,5</sup>	—	0.35	0.71	ps (RMS)
	Intel <sup>®</sup> QPI & Intel SMI (4.8 Gbps or 6.4 Gb/s, 100 or 133 MHz, 12 UI) <sup>1,7,8</sup>	—	0.25	0.5	ps (RMS)
	Intel QPI & Intel SMI (8 Gb/s, 100 MHz, 12 UI) <sup>1,7</sup>	—	0.15	0.3	ps (RMS)
	Intel QPI & Intel SMI (9.6 Gb/s, 100 MHz, 12 UI) <sup>1,7</sup>	—	0.16	0.2	ps (RMS)

**Notes:**

1. Post processed evaluation through Intel supplied Matlab\* scripts. Defined for a BER of 1E-12. Measured values at a smaller sample size have to be extrapolated to this BER target.
2.  $\zeta = 0.54$  implies a jitter peaking of 3 dB.
3. PCIe\* Gen 3 filter characteristics are subject to final ratification by PCISIG. Check the PCI-SIG for the latest specification.
4. Measured on 100 MHz PCIe output using the template file in the Intel-supplied Clock Jitter Tool V1.6.3.
5. Measured on 100 MHz output using the template file in the Intel-supplied Clock Jitter Tool V1.6.3.
6. Download the Skyworks Solutions PCIe Clock Jitter Tool at <https://www.skyworksinc.com/en/application-pages/pci-express-learning-center>.
7. Measured on 100 MHz, 133 MHz output using the template file in the Intel-supplied Clock Jitter Tool V1.6.3.
8. These jitter numbers are defined for a BER of 1E-12. Measured numbers at a smaller sample size have to be extrapolated to this BER target.
9. Gen 4 specifications based on the PCI-Express Base Specification 4.0 rev. 0.9.



Table 6. Phase Jitter (Continued)

Additive Phase Jitter Bypass Mode	PCIe Gen 1 <sup>1,2,3</sup>	—	10	—	ps
	PCIe Gen 2 Low Band F < 1.5 MHz <sup>1,3,4,5</sup>	—	1.0	—	ps (RMS)
	PCIe Gen 2 High Band 1.5 MHz < F < Nyquist <sup>1,3,4,5</sup>	—	1.0	—	ps (RMS)
	PCIe Gen 3 (PLL BW 2–4 MHz, CDR = 10 MHz) <sup>1,3,4,5</sup>	—	0.3	—	ps (RMS)
	PCIe Gen 4, Common Clock (PLL BW of 2–4 or 2–5 MHz, CDR = 10 MHz) <sup>1,3,4,5,6,9</sup>	—	0.3	—	ps (RMS)
	Intel QPI & Intel® SMI (4.8 Gbps or 6.4 Gb/s, 100 or 133 MHz, 12 UI) <sup>1,7,8</sup>	—	0.15	—	ps (RMS)
	Intel QPI & Intel® SMI (8 Gb/s, 100 MHz, 12 UI) <sup>1,7</sup>	—	0.1	—	ps (RMS)
	Intel QPI & Intel® SMI (9.6 Gb/s, 100 MHz, 12 UI) <sup>1,7</sup>	—	0.1	—	ps (RMS)

**Notes:**

1. Post processed evaluation through Intel supplied Matlab\* scripts. Defined for a BER of 1E-12. Measured values at a smaller sample size have to be extrapolated to this BER target.
2.  $\zeta = 0.54$  implies a jitter peaking of 3 dB.
3. PCIe\* Gen 3 filter characteristics are subject to final ratification by PCISIG. Check the PCI-SIG for the latest specification.
4. Measured on 100 MHz PCIe output using the template file in the Intel-supplied Clock Jitter Tool V1.6.3.
5. Measured on 100 MHz output using the template file in the Intel-supplied Clock Jitter Tool V1.6.3.
6. Download the Skyworks Solutions PCIe Clock Jitter Tool at <https://www.skyworksinc.com/en/application-pages/pci-express-learning-center>.
7. Measured on 100 MHz, 133 MHz output using the template file in the Intel-supplied Clock Jitter Tool V1.6.3.
8. These jitter numbers are defined for a BER of 1E-12. Measured numbers at a smaller sample size have to be extrapolated to this BER target.
9. Gen 4 specifications based on the PCI-Express Base Specification 4.0 rev. 0.9.

# Si53119-A03A

**Table 7. DIF 0.7 V AC Timing Characteristics (Non-Spread Spectrum Mode)<sup>1</sup>**

Parameter	Symbol	CLK 100 MHz, 133 MHz			Unit
		Min	Typ	Max	
Clock Stabilization Time <sup>2</sup>	T <sub>STAB</sub>	—	1.5	1.8	ms
Long Term Accuracy <sup>3,4,5</sup>	L <sub>ACC</sub>	—	—	100	ppm
Absolute Host CLK Period (100 MHz) <sup>3,4,6</sup>	T <sub>ABS</sub>	9.94900	—	10.05100	ns
Absolute Host CLK Period (133 MHz) <sup>3,4,6</sup>	T <sub>ABS</sub>	7.44925	—	7.55075	ns
Slew Rate <sup>3,4,7</sup>	Edge_rate	1.0	3.0	4.0	V/ns
Rise Time Variation <sup>3,8,9</sup>	Δ Trise	—	—	125	ps
Fall Time Variation <sup>3,8,9</sup>	Δ Tfall	—	—	125	ps
Rise/Fall Matching <sup>3,8,10,11</sup>	T <sub>RISE_MAT</sub> / T <sub>FALL_MAT</sub>	—	7	20	%
Voltage High (typ 0.7 V) <sup>3,8,12</sup>	V <sub>HIGH</sub>	660	750	850	mV

**Notes:**

1. Unless otherwise noted, all specifications in this table apply to all processor frequencies.
2. This is the time from the valid CLK\_IN input clocks and the assertion of the PWRGD signal level at 1.8–2.0 V to the time that stable clocks are output from the buffer chip (PLL locked).
3. Test configuration is 2 pF for 85 Ω transmission line.
4. Measurement taken from differential waveform.
5. Using frequency counter with the measurement interval equal or greater than 0.15 s, target frequencies are 99,750,00 Hz, 133,000,000 Hz.
6. The average period over any 1 μs period of time must be greater than the minimum and less than the maximum specified period.
7. Measure taken from differential waveform on a component test board. The edge (slew) rate is measured from –150 mV to +150 mV on the differential waveform. Scope is set to average because the scope sample clock is making most of the dynamic wiggles along the clock edge. Only valid for Rising clock and Falling C $\overline{\text{LOCK}}$ . Signal must be monotonic through the Vol to Voh region for Trise and Tfall.
8. Measurement taken from single-ended waveform.
9. Measured with oscilloscope, averaging off, using min max statistics. Variation is the delta between min and max.
10. Measured with oscilloscope, averaging on. The difference between the rising edge rate (average) of clock verses the falling edge rate (average) of C $\overline{\text{LOCK}}$ .
11. Rise/Fall matching is derived using the following,  $2 \cdot (\text{Trise} - \text{Tfall}) / (\text{Trise} + \text{Tfall})$ .
12. VHigh is defined as the statistical average High value as obtained by using the Oscilloscope VHigh Math function.
13. VLow is defined as the statistical average Low value as obtained by using the Oscilloscope VLow Math function.
14. Measured at crossing point where the instantaneous voltage value of the rising edge of CLK equals the falling edge of C $\overline{\text{CLK}}$ .
15. This measurement refers to the total variation from the lowest crossing point to the highest, regardless of which edge is crossing.
16. The crossing point must meet the absolute and relative crossing point specifications simultaneously.
17. Vcross(rel) Min and Max are derived using the following, Vcross(rel) Min =  $0.250 + 0.5 (V_{\text{havg}} - 0.700)$ , Vcross(rel) Max =  $0.550 - 0.5 (0.700 - V_{\text{havg}})$ , (see Figures 3–4 for further clarification).
18. ΔVcross is defined as the total variation of all crossing voltages of Rising C $\overline{\text{LOCK}}$  and Falling C $\overline{\text{LOCK}}$ . This is the maximum allowed variance in Vcross for any particular system.
19. Overshoot is defined as the absolute value of the maximum voltage.
20. Undershoot is defined as the absolute value of the minimum voltage.

Table 7. DIF 0.7 V AC Timing Characteristics (Non-Spread Spectrum Mode)<sup>1</sup> (Continued)

Parameter	Symbol	CLK 100 MHz, 133 MHz			Unit
		Min	Typ	Max	
Voltage Low (Typ 0.7 V) <sup>3,8,13</sup>	V <sub>LOW</sub>	-150	15	150	mV
Maximum Voltage <sup>8</sup>	V <sub>MAX</sub>	—	850	1150	mV
Minimum Voltage	V <sub>MIN</sub>	-300	—	—	mV
Absolute Crossing Point Voltages <sup>3,8,14,15,16</sup>	V <sub>OXABS</sub>	300	450	550	mV
Total Variation of Vcross Over All Edges <sup>3,8,18</sup>	Total Δ Vox	—	14	140	mV
Duty Cycle <sup>3,4</sup>	DC	45	—	55	%
Maximum Voltage (Overshoot) <sup>3,8,19</sup>	V <sub>ovs</sub>	—	—	V <sub>High</sub> + 0.3	V
Maximum Voltage (Undershoot) <sup>3,8,20</sup>	V <sub>uds</sub>	—	—	V <sub>Low</sub> - 0.3	V
Ringback Voltage <sup>3,8</sup>	V <sub>rb</sub>	0.2	—	N/A	V

**Notes:**

1. Unless otherwise noted, all specifications in this table apply to all processor frequencies.
2. This is the time from the valid CLK\_IN input clocks and the assertion of the PWRGD signal level at 1.8–2.0 V to the time that stable clocks are output from the buffer chip (PLL locked).
3. Test configuration is 2 pF for 85 Ω transmission line.
4. Measurement taken from differential waveform.
5. Using frequency counter with the measurement interval equal or greater than 0.15 s, target frequencies are 99,750,00 Hz, 133,000,000 Hz.
6. The average period over any 1 μs period of time must be greater than the minimum and less than the maximum specified period.
7. Measure taken from differential waveform on a component test board. The edge (slew) rate is measured from -150 mV to +150 mV on the differential waveform. Scope is set to average because the scope sample clock is making most of the dynamic wiggles along the clock edge. Only valid for Rising clock and Falling CLOCK. Signal must be monotonic through the Vol to Voh region for Trise and Tfall.
8. Measurement taken from single-ended waveform.
9. Measured with oscilloscope, averaging off, using min max statistics. Variation is the delta between min and max.
10. Measured with oscilloscope, averaging on. The difference between the rising edge rate (average) of clock verses the falling edge rate (average) of CLOCK.
11. Rise/Fall matching is derived using the following,  $2 * (Trise - Tfall) / (Trise + Tfall)$ .
12. VHigh is defined as the statistical average High value as obtained by using the Oscilloscope VHigh Math function.
13. VLow is defined as the statistical average Low value as obtained by using the Oscilloscope VLow Math function.
14. Measured at crossing point where the instantaneous voltage value of the rising edge of CLK equals the falling edge of CLK.
15. This measurement refers to the total variation from the lowest crossing point to the highest, regardless of which edge is crossing.
16. The crossing point must meet the absolute and relative crossing point specifications simultaneously.
17. Vcross(rel) Min and Max are derived using the following, Vcross(rel) Min =  $0.250 + 0.5 (V_{havg} - 0.700)$ , Vcross(rel) Max =  $0.550 - 0.5 (0.700 - V_{havg})$ , (see Figures 3–4 for further clarification).
18. ΔVcross is defined as the total variation of all crossing voltages of Rising CLOCK and Falling CLOCK. This is the maximum allowed variance in Vcross for any particular system.
19. Overshoot is defined as the absolute value of the maximum voltage.
20. Undershoot is defined as the absolute value of the minimum voltage.

# Si53119-A03A

**Table 8. Clock Periods Differential Clock Outputs with SSC Disabled**

SSC OFF Center Freq, MHz	Measurement Window							Unit
	1 Clock	1 $\mu$ s	0.1 s	0.1 s	0.1 s	1 $\mu$ s	1 Clock	
	-C-C Jitter AbsPer Min	-SSC Short Term AVG Min	-ppm Long Term AVG Min	0 ppm Period Nominal	+ppm Long Term AVG Max	+SSC Short Term AVG Max	+C-C Jitter AbsPer Max	
100.00	9.94900		9.99900	10.00000	10.00100		10.05100	ns
133.33	7.44925		7.49925	7.50000	7.50075		7.55075	ns

**Table 9. Clock Periods Differential Clock Outputs with SSC Enabled**

SSC ON Center Freq, MHz	Measurement Window							Unit
	1 Clock	1 $\mu$ s	0.1 s	0.1 s	0.1 s	1 $\mu$ s	1 Clock	
	-C-C Jitter AbsPer Min	-SSC Short Term AVG Min	-ppm Long Term AVG Min	0 ppm Period Nominal	+ppm Long Term AVG Max	+SSC Short Term AVG Max	+C-C Jitter AbsPer Max	
99.75	9.94906	9.99906	10.02406	10.02506	10.02607	10.05107	10.10107	ns
133.33	7.44930	7.49930	7.51805	7.51880	7.51955	7.53830	7.58830	ns

**Table 10. Absolute Maximum Ratings**

Parameter	Symbol	Min	Max	Unit
3.3 V Core Supply Voltage <sup>1</sup>	VDD/VDD_A	—	4.6	V
3.3 V I/O Supply Voltage <sup>1</sup>	VDD_IO	—	4.6	V
3.3 V Input High Voltage <sup>1,2</sup>	VIH	—	4.6	V
3.3 V Input Low Voltage <sup>1</sup>	VIL	-0.5	—	V
Storage Temperature <sup>1</sup>	t <sub>s</sub>	-65	150	°C
Input ESD protection <sup>3</sup>	ESD	2000	—	V

**Notes:**

1. Consult manufacturer regarding extended operation in excess of normal dc operating parameters.
2. Maximum VIH is not to exceed maximum V<sub>DD</sub>.
3. Human body model.

## 2. Functional Description

### 2.1. CLK\_IN, $\overline{\text{CLK\_IN}}$

The differential input clock is expected to be sourced from a clock synthesizer or PCH.

### 2.2. $\overline{\text{100M\_133M}}$ —Frequency Selection

The Si53119-A03A is optimized for lowest phase jitter performance at operating frequencies of 100 and 133 MHz.  $\overline{\text{100M\_133M}}$  is a hardware input pin, which programs the appropriate output frequency of the differential outputs. Note that the CLK\_IN frequency must be equal to the CLK\_OUT frequency; meaning Si53119-A03A is operated in 1:1 mode only. Frequency selection can be enabled by the  $\overline{\text{100M\_133M}}$  hardware pin. An external pull-up or pull-down resistor is attached to this pin to select the input/output frequency. The functionality is summarized in Table 11.

**Table 11. Frequency Program Table**

$\overline{\text{100M\_133M}}$	Optimized Frequency (DIF_IN = DIF_x)
0	133.33 MHz
1	100.00 MHz

**Note:** All differential outputs transition from 100 to 133 MHz or from 133 to 100 MHz in a glitch free manner.

### 2.3. SA\_0, SA\_1—Address Selection

SA\_0 and SA\_1 are tri-level hardware pins, which program the appropriate address for the Si53119-A03A. The two tri-level input pins that can configure the device to nine different addresses.

**Table 12. SMBUS Address Table**

SA_1	SA_0	SMBUS Address
L	L	D8
L	M	DA
L	H	DE
M	L	C2
M	M	C4
M	H	C6
H	L	CA
H	M	CC
H	H	CE

## 2.4. CKPWRGD/ $\overline{\text{PWRDN}}$

CKPWRGD is asserted high and deasserted low. Deassertion of PWRGD (pulling the signal low) is equivalent to indicating a power down condition. CKPWRGD (assertion) is used by the Si53119-A03A to sample initial configurations, such as frequency select condition and SA selections. After CKPWRGD has been asserted high for the first time, the pin becomes a  $\overline{\text{PWRDN}}$  (Power Down) pin that can be used to shut off all clocks cleanly and instruct the device to invoke power-saving mode.  $\overline{\text{PWRDN}}$  is a completely asynchronous active low input. When entering power-saving mode,  $\overline{\text{PWRDN}}$  should be asserted low prior to shutting off the input clock or power to ensure all clocks shut down in a glitch free manner. When  $\overline{\text{PWRDN}}$  is asserted low, all clocks will be disabled prior to turning off the VCO. When  $\overline{\text{PWRDN}}$  is deasserted high, all clocks will start and stop without any abnormal behavior and will meet all ac and dc parameters.

**Note:** The assertion and deassertion of  $\overline{\text{PWRDN}}$  is absolutely asynchronous.

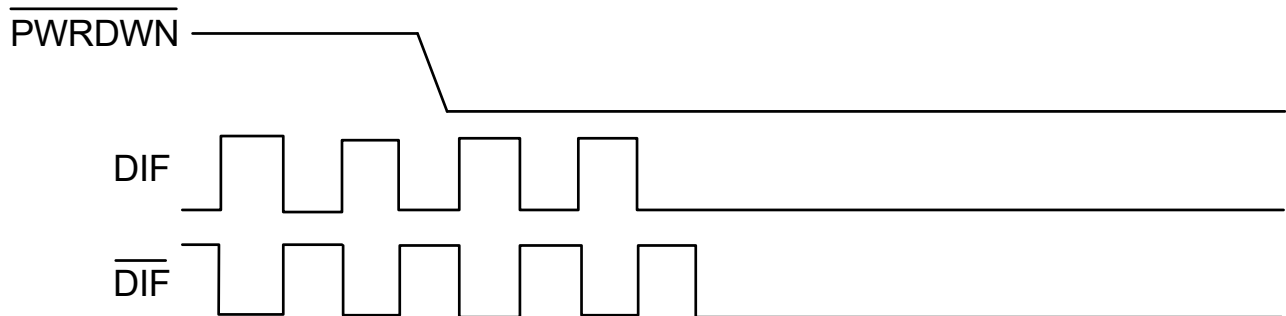
**Warning:** Disabling of the CLK\_IN input clock prior to assertion of  $\overline{\text{PWRDN}}$  is an undefined mode and not recommended. Operation in this mode may result in glitches, excessive frequency shifting, etc.

**Table 13. CKPWRGD/ $\overline{\text{PWRDN}}$  Functionality**

CKPWRGD/ $\overline{\text{PWRDN}}$	DIF_IN/ DINF_IN#	SMBus EN bit	DIF-x/ DIF_x#	FBOUT_NC/ FBOUT_NC#	PLL State
0	X	X	Low/Low	Low/Low	OFF
1	Running	0	Low/Low	Running	ON
		1	Running	Running	ON

### 2.4.1. $\overline{\text{PWRDN}}$ Assertion

When  $\overline{\text{PWRDN}}$  is sampled low by two consecutive rising edges of  $\overline{\text{DIF}}$ , all differential outputs must be held LOW/LOW on the next DIF high-to-low transition.



**Figure 1.  $\overline{\text{PWRDN}}$  Assertion**

### 2.4.2. CKPWRGD Assertion

The powerup latency is to be less than 1.8 ms. This is the time from a valid CLK\_IN input clock and the assertion of the PWRGD signal to the time that stable clocks are output from the device (PLL locked). All differential outputs stopped in a LOW/LOW condition resulting from power down must be driven high in less than 300  $\mu$ s of PWRDN deassertion to a voltage greater than 200 mV.

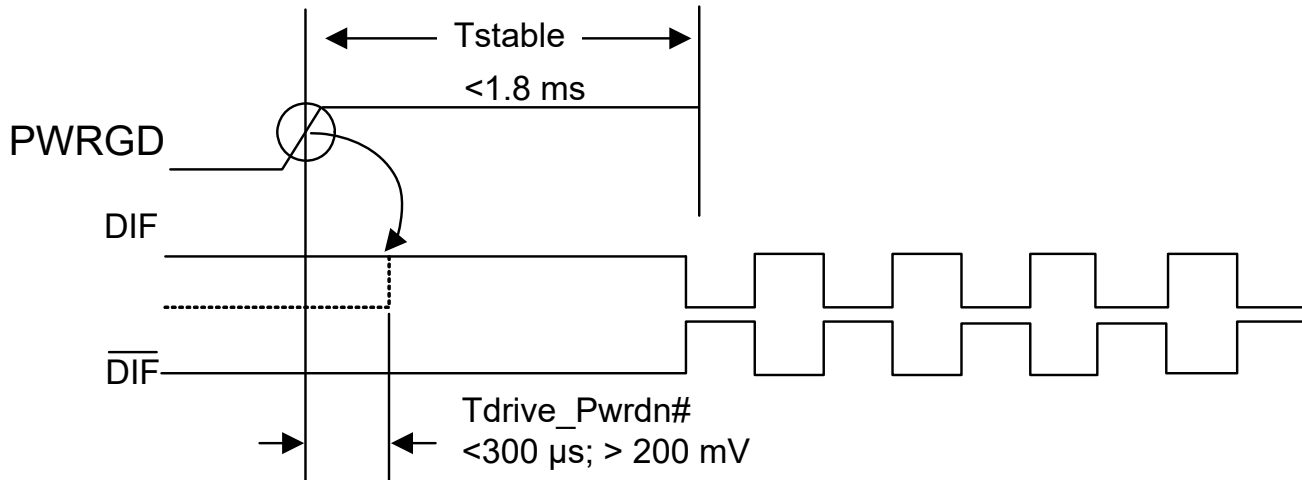


Figure 2. PWRGD Assertion (Pwrdown—Deassertion)

### 2.5. HBW\_BYPASS\_LBW

The  $\overline{\text{HBW\_BYPASS\_LBW}}$  pin is a tri-level function input pin (refer to Table 1 for VIL\_Tri, VIM\_Tri, and VIH\_Tri signal levels). It is used to select between PLL high-bandwidth, PLL bypass mode, or PLL low-bandwidth mode. In PLL bypass mode, the input clock is passed directly to the output stage, which may result in up to 50 ps of additive cycle-to-cycle jitter (50 ps + input jitter) on the differential outputs. In PLL mode, the input clock is passed through a PLL to reduce high-frequency jitter. The PLL HBW, BYPASS, and PLL LBW modes may be selected by asserting the  $\overline{\text{HBW\_BYPASS\_LBW}}$  input pin to the appropriate level described in Table 14.

Table 14. PLL Bandwidth and Readback Table

$\overline{\text{HBW\_BYPASS\_LBW}}$ Pin	Mode	Byte 0, Bit 7	Byte 0, Bit 6
L	LBW	0	0
M	BYPASS	0	1
H	HBW	1	1

The Si53119-A03A has the ability to override the latch value of the PLL operating mode from hardware strap pin 5 via the use of Byte 18 and bits 1 and 0. Byte 18 bit 2 must be set to 1 to allow the user to change Bits 1 and 0, affecting the PLL. Byte0, Bits 7 and 6 will always read back the original latched value from hardware strap pin5. A warm reset of the external system will have to be accomplished if the user changes these bits.

# Si53119-A03A

---

## 2.6. Miscellaneous Requirements

**Data Transfer Rate:** 100 kbps (standard mode) is the base functionality required. Fast mode (400 kbps) functionality is optional.

**Logic Levels:** SMBus logic levels are based on a percentage of  $V_{DD}$  for the controller and other devices on the bus. Assume all devices are based on a 3.3 V supply.

**Clock Stretching:** The clock buffer must not hold/stretch the SCL or SDA lines low for more than 10 ms. Clock stretching is discouraged and should only be used as a last resort. Stretching the clock/data lines for longer than this time puts the device in an error/time-out mode and may not be supported in all platforms. It is assumed that all data transfers can be completed as specified without the use of clock/data stretching.

**General Call:** It is assumed that the clock buffer will not have to respond to the “general call.”

**Electrical Characteristics:** All electrical characteristics must meet the standard mode specifications found in Section 3 of the SMBus 2.0 specification.

**Pull-Up Resistors:** Any internal resistor pull-ups on the SDATA and SCLK inputs must be stated in the individual data sheet. The use of internal pull-ups on these pins of below 100 K is discouraged. Assume that the board designer will use a single external pull-up resistor for each line and that these values are in the 5–6 k $\Omega$  range. Assume one SMBus device per DIMM (serial presence detect), one SMBus controller, one clock buffer, one clock driver plus one/two more SMBus devices on the platform for capacitive loading purposes.

**Input Glitch Filters:** Only fast mode SMBus devices require input glitch filters to suppress bus noise. The clock buffer is specified as a standard mode device and is not required to support this feature. However, it is considered a good design practice to include the filters.

**PWRDN:** If a clock buffer is placed in  $\overline{\text{PWRDN}}$  mode, the SDATA and SCLK inputs must be Tri-stated and the device must retain all programming information. IDD current due to the SMBus circuitry must be characterized and in the data sheet.



### 3. Test and Measurement Setup

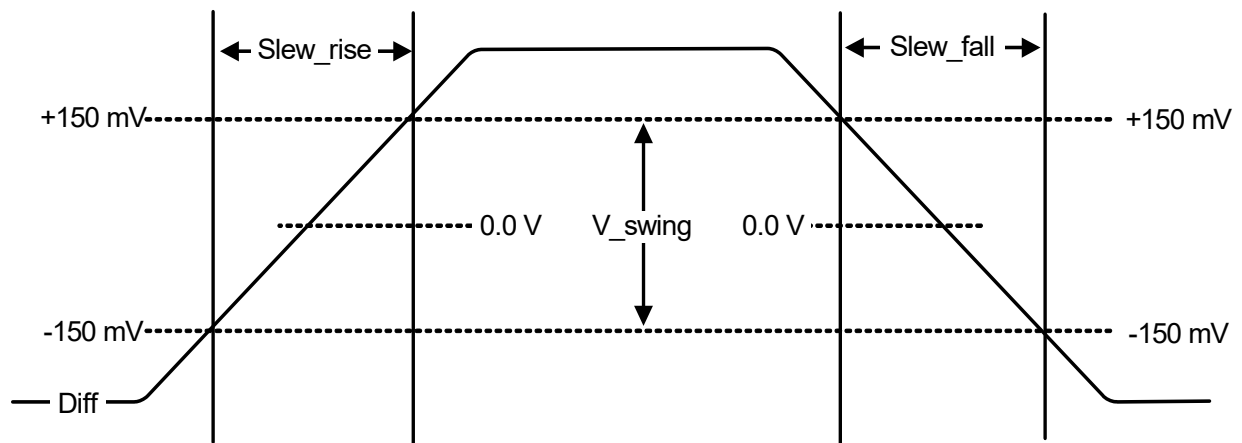
#### 3.1. Input Edge

Input edge rate is based on single-ended measurement. This is the minimum input edge rate at which the Si53119-A03A is guaranteed to meet all performance specifications.

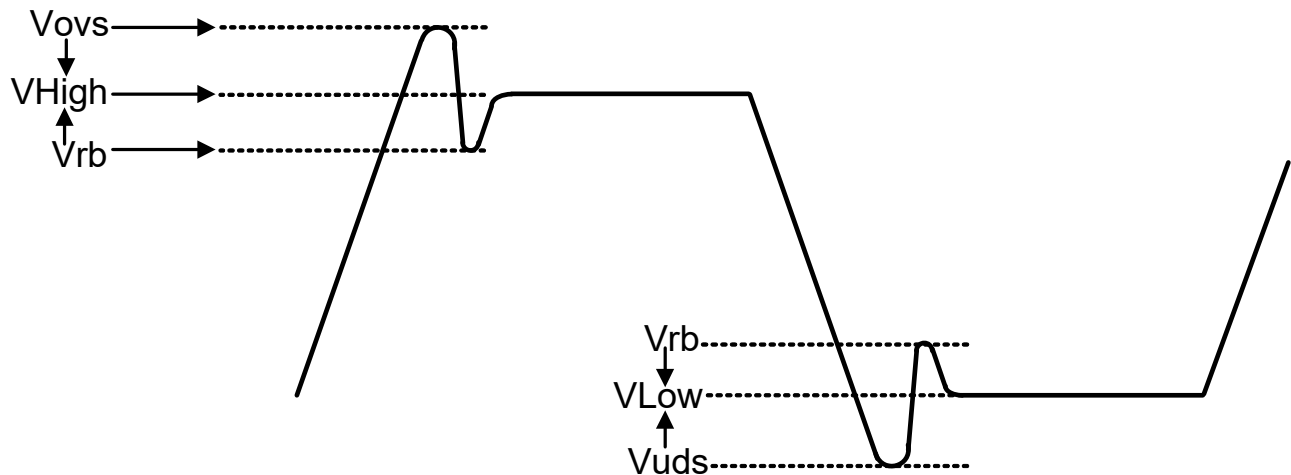
**Table 15. Input Edge Rate**

Frequency	Min	Max	Unit
100 MHz	0.35	N/A	V/ns
133 MHz	0.35	N/A	V/ns

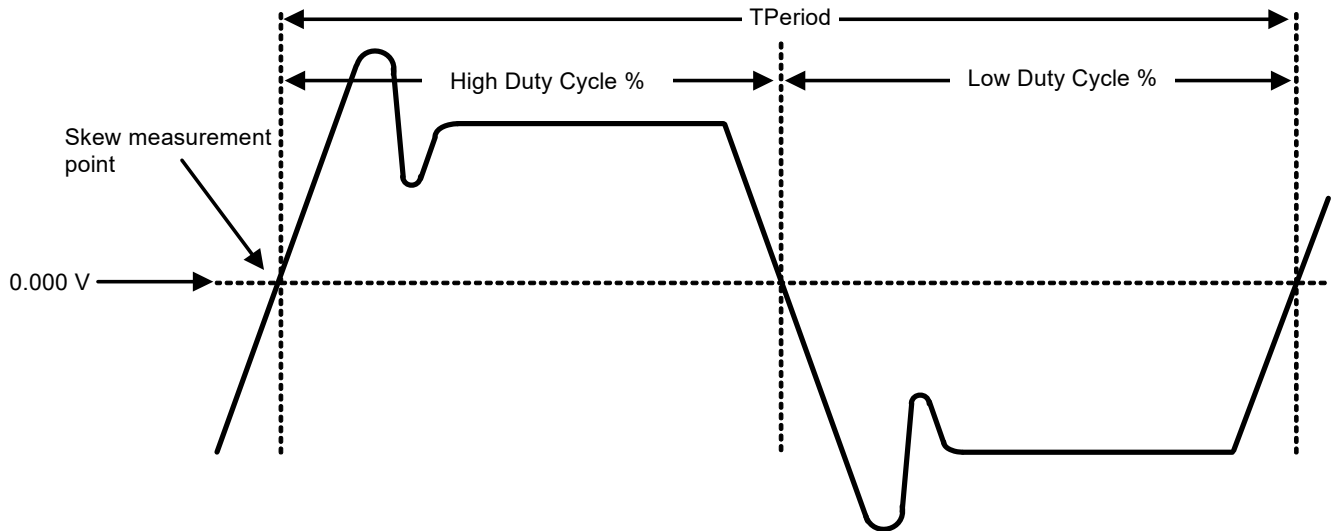
##### 3.1.1. Measurement Points for Differential



**Figure 3. Measurement Points for Rise Time and Fall Time**



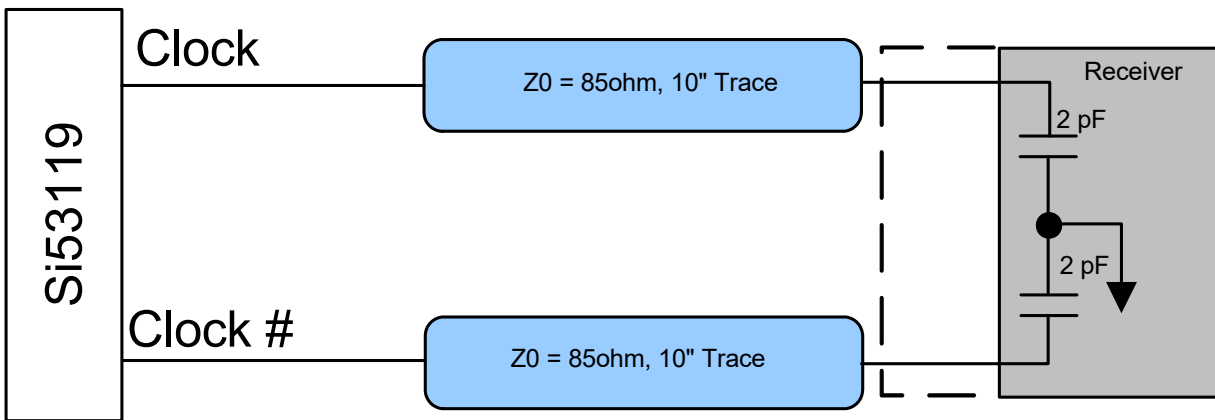
**Figure 4. Single-Ended Measurement Points for  $V_{OVS}$ ,  $V_{UDS}$ ,  $V_{RB}$**



**Figure 5. Differential (CLOCK-CLOCK) Measurement Points ( $T_{period}$ , Duty Cycle, Jitter)**

### 3.2. Termination of Differential Outputs

All differential outputs are to be tested into an  $85\ \Omega$  differential impedance transmission line. All output termination resistors are fully integrated into the Si53119-A03A, no external components are required. Contact Skyworks Solutions if  $100\ \Omega$  differential impedance support is needed.



**Figure 6. 0.7 V Configuration Test Load Board Termination for NMOS Push-Pull**

## 4. Control Registers

### 4.1. Byte Read/Write

Reading or writing a register in an SMBus slave device in byte mode always involves specifying the register number.

#### 4.1.1. Byte Read

The standard byte read is as shown in Figure 7. It is an extension of the byte write. The write start condition is repeated; then, the slave device starts sending data, and the master acknowledges it until the last byte is sent. The master terminates the transfer with a NAK, then a stop condition. For byte operation, the 2 x 7th bit of the command byte must be set. For block operations, the 2 x 7th bit must be reset. If the bit is not set, the next byte must be the byte transfer count.

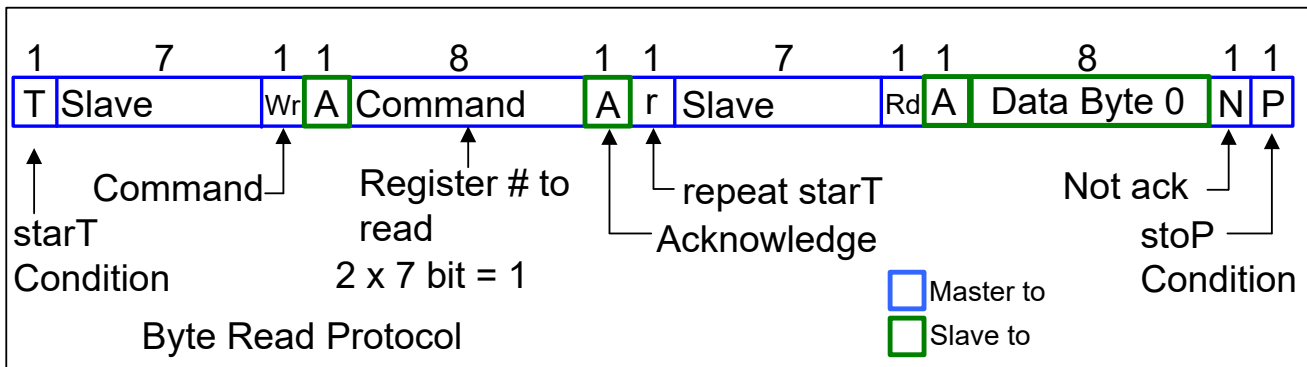


Figure 7. Byte Read Protocol

#### 4.1.2. Byte Write

Figure 8 illustrates a simple, typical byte write. For byte operation, the 2 x 7th bit of the command byte must be set. For block operations, the 2 x 7th bit must be reset. If the bit is not set, the next byte must be the byte transfer count. The count can be between 1 and 32. It is not allowed to be zero or to exceed 32.

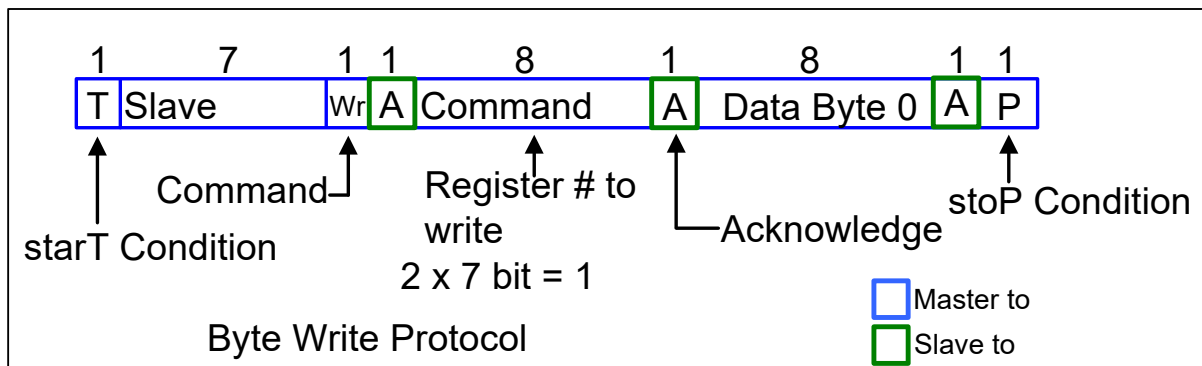


Figure 8. Byte Write Protocol

# Si53119-A03A

## 4.2. Block Read/Write

### 4.2.1. Block Read

After the slave address is sent with the R/W condition bit set, the command byte is sent with the MSB = 0. The slave acknowledges the register index in the command byte. The master sends a repeat start function. After the slave acknowledges this, the slave sends the number of bytes it wants to transfer (>0 and <33). The master acknowledges each byte except the last and sends a stop function.

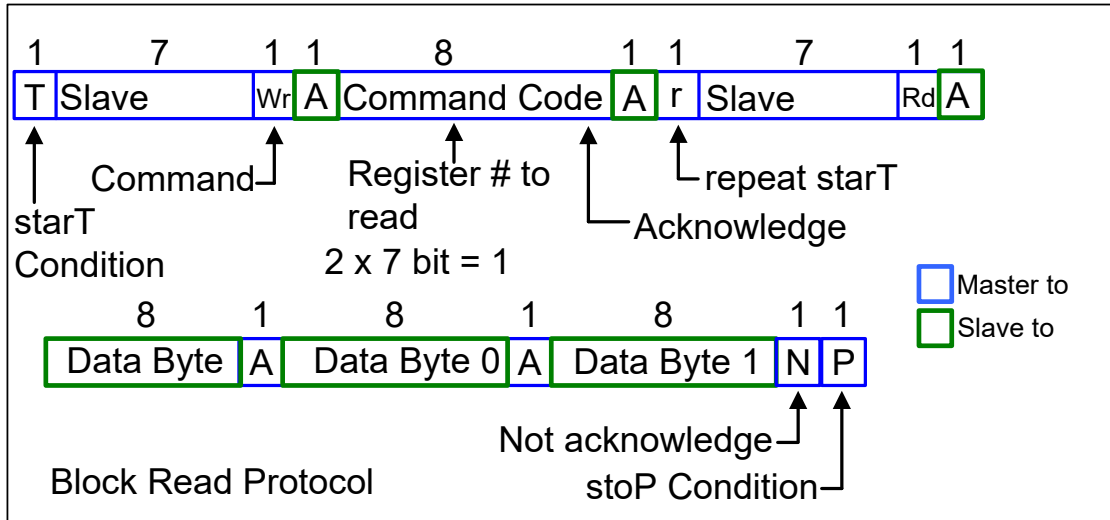


Figure 9. Block Read Protocol

### 4.2.2. Block Write

After the slave address is sent with the R/W condition bit not set, the command byte is sent with the MSB = 0. The lower seven bits indicate the register at which to start the transfer. If the command byte is 00h, the slave device will be compatible with existing block mode slave devices. The next byte of a write must be the count of bytes that the master will transfer to the slave device. The byte count must be greater than zero and less than 33. Following this byte are the data bytes to be transferred to the slave device. The slave device always acknowledges each byte received. The transfer is terminated after the slave sends the ACK and the master sends a stop function.

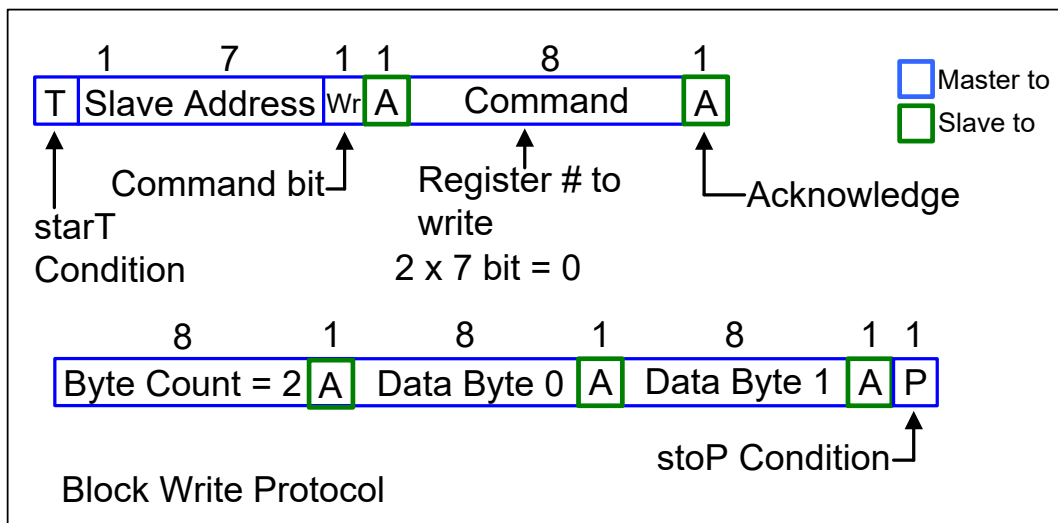


Figure 10. Block Write Protocol

### 4.3. Control Registers

**Table 16. Byte 0: Frequency Select, Output Enable, PLL Mode Control Register**

Bit	Description	If Bit = 0	If Bit = 1	Type	Default	Output(s) Affected
0	100M_133M# Frequency Select	133 MHz	100 MHz	R	Latched at power up	DIF[18:0]
1	Reserved				0	
2	Reserved				0	
3	Output Enable DIF 16	Low/Low	Enable	RW	1	DIF_16
4	Output Enable DIF 17	Low/Low	Enable	RW	1	DIF_17
5	Output Enable DIF 18	Low/Low	Enable	RW	1	DIF_18
6	PLL Mode 0	See PLL Operating Mode Readback Table		R	Latched at power up	
7	PLL Mode 1	See PLL Operating Mode Readback Table		R	Latched at power up	

**Table 17. Byte 1: Output Enable Control Register**

Bit	Description	If Bit = 0	If Bit = 1	Type	Default	Output(s) Affected
0	Output Enable DIF 0	Low/Low	Enabled	RW	1	DIF[0]
1	Output Enable DIF 1	Low/Low	Enabled	RW	1	DIF[1]
2	Output Enable DIF 2	Low/Low	Enabled	RW	1	DIF[2]
3	Output Enable DIF 3	Low/Low	Enabled	RW	1	DIF[3]
4	Output Enable DIF 4	Low/Low	Enabled	RW	1	DIF[4]
5	Output Enable DIF 5	Low/Low	Enabled	RW	1	DIF[5]
6	Output Enable DIF 6	Low/Low	Enabled	RW	1	DIF[6]
7	Output Enable DIF 7	Low/Low	Enabled	RW	1	DIF[7]

**Table 18. Byte 2: Output Enable Control Register**

Bit	Description	If Bit = 0	If Bit = 1	Type	Default	Output(s) Affected
0	Output Enable DIF 8	Low/Low	Enabled	RW	1	DIF[8]
1	Output Enable DIF 9	Low/Low	Enabled	RW	1	DIF[9]
2	Output Enable DIF 10	Low/Low	Enabled	RW	1	DIF[10]
3	Output Enable DIF 11	Low/Low	Enabled	RW	1	DIF[11]
4	Output Enable DIF 12	Low/Low	Enabled	RW	1	DIF[112]
5	Output Enable DIF 13	Low/Low	Enabled	RW	1	DIF[14]
6	Output Enable DIF 14	Low/Low	Enabled	RW	1	DIF[15]
7	Output Enable DIF 15	Low/Low	Enabled	RW	1	DIF[16]

**Table 19. Byte 3: Reserved Control Register**

Bit	Description	If Bit = 0	If Bit = 1	Type	Default	Output(s) Affected
0	Reserved				0	
1	Reserved				0	
2	Reserved				0	
3	Reserved				0	
4	Reserved				0	
5	Reserved				0	
6	Reserved				0	
7	Reserved				0	

Table 20. Byte 4: Reserved Control Register

Bit	Description	If Bit = 0	If Bit = 1	Type	Default	Output(s) Affected
0	Reserved				0	
1	Reserved				0	
2	Reserved				0	
3	Reserved				0	
4	Reserved				0	
5	Reserved				0	
6	Reserved				0	
7	Reserved				0	

Table 21. Byte 5: Vendor/Revision Identification Control Register

Bit	Description	If Bit = 0	If Bit = 1	Type	Default	Output(s) Affected
0	Vendor ID Bit 0			R	Vendor Specific	0
1	Vendor ID Bit 1			R	Vendor Specific	0
2	Vendor ID Bit 2			R	Vendor Specific	0
3	Vendor ID Bit 3			R	Vendor Specific	1
4	Revision Code Bit 0			R	Vendor Specific	0
5	Revision Code Bit 1			R	Vendor Specific	0
6	Revision Code Bit 2			R	Vendor Specific	0
7	Revision Code Bit 3			R	Vendor Specific	0

**Table 22. Byte 6: Device ID Control Register**

Bit	Description	If Bit = 0	If Bit = 1	Type	Default = 01110111	Output(s) Affected
0	Device ID 0			R	1	
1	Device ID 1			R	1	
2	Device ID 2			R	1	
3	Device ID 3			R	0	
4	Device ID 4			R	1	
5	Device ID 5			R	1	
6	Device ID 6			R	1	
7	Device ID 7 (MSB)			R	0	



Table 23. Byte 7: Byte Count Register

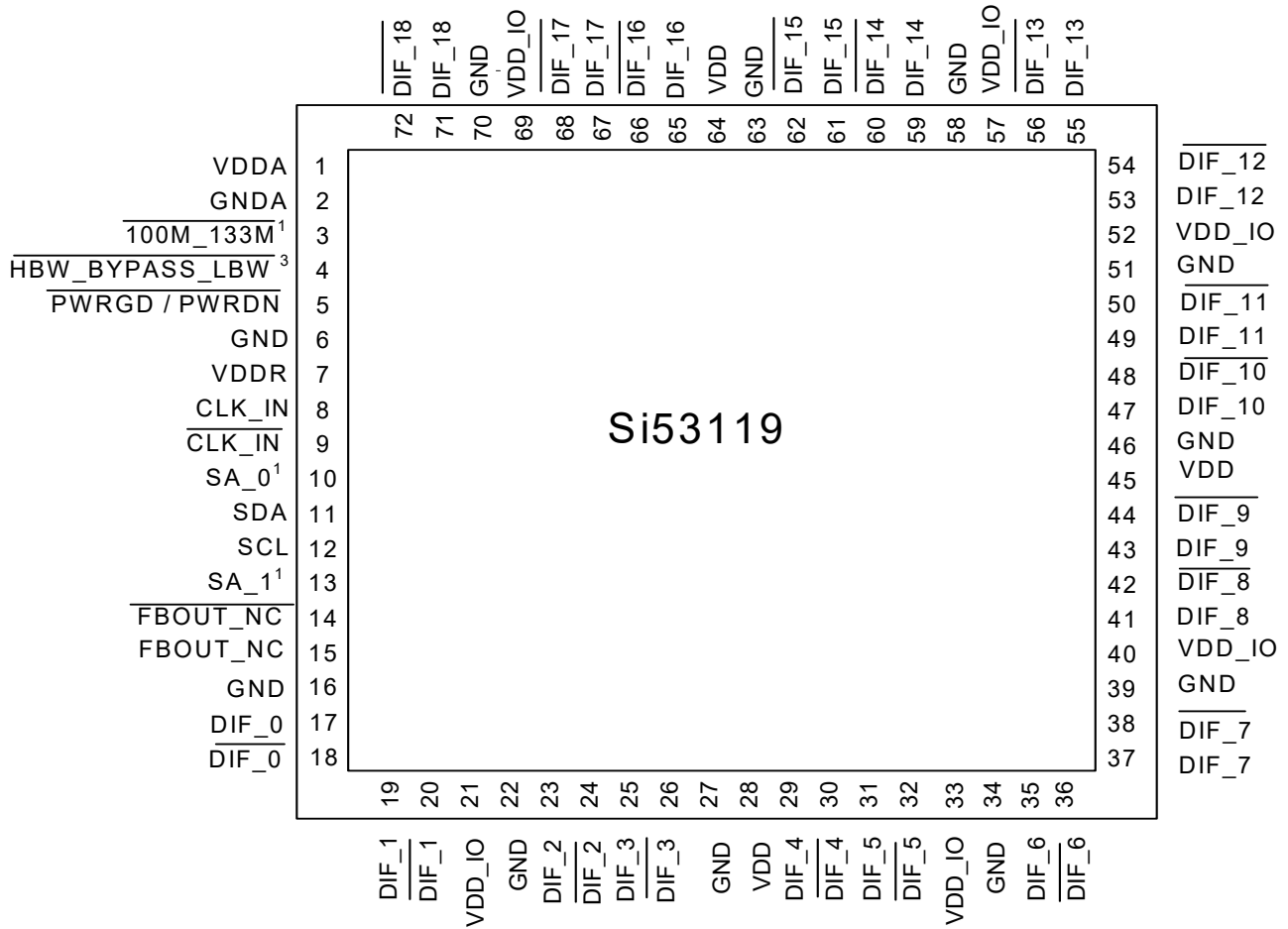
Bit	Description	If Bit = 0	If Bit = 1	Type	Default	Output(s) Affected
0	BC0—Writing to this register configures how many bytes will be read back			RW	0	
1	BC1—Writing to this register configures how many bytes will be read back			RW	0	
2	BC2—Writing to this register configures how many bytes will be read back			RW	0	
3	BC3—Writing to this register configures how many bytes will be read back			RW	1	
4	BC4—Writing to this register configures how many bytes will be read back			RW	0	
5	Reserved				0	
6	Reserved				0	
7	Reserved				0	

Table 24. Byte 18: PLL Mode Control Register

Bit	Description	If Bit = 0	If Bit = 1	Type	Default	Outputs Affected
0	PLL_MODE0	If Byte0[3] = 1 allows the user to override the latch from pin5 via use of Byte0[2:1] 00 = Low Bandwidth Mode 01 = Bypass Mode 11 = High Bandwidth Mode		R/W	0	
1	PLL_MODE1			R/W	0	
2	PLL_SW_EN	HW Select	I <sup>2</sup> C Select	R/W	0	
3	Reserved				0	
4	Reserved				0	
5	Reserved				0	
6	Reserved				0	
7	Reserved				0	

# Si53119-A03A

## 5. Pin Descriptions: 72-Pin QFN



Note1: Internal Pullup

Note2: Internal Pulldown

Note3: Internal Pullup/pulldown (biased to Vdd/2)

Table 25. Si53119-A03A 72-Pin QFN Descriptions

Pin #	Name	Type	Description
1	VDDA	3.3 V	3.3 V power supply for PLL.
2	GND	GND	Ground for PLL.
3	$\overline{100M\_133M}$	I,SE	3.3 V tolerant inputs for input/output frequency selection. An external pull-up or pull-down resistor is attached to this pin to select the input/output frequency. Internal pullup. High = 100 MHz output Low = 133 MHz output
4	$\overline{HBW\_BYPASS\_LBW}$	I, SE	Tri-Level input for selecting the PLL bandwidth or bypass mode. High = High BW mode Med = Bypass mode Low = Low BW mode
5	$\overline{PWRGD/PWRDN}$	I	3.3 V LVTTTL input to power up or power down the device.
6	GND	GND	Ground for outputs.
7	VDDR	VDD	3.3 V power supply for differential input receiver. This VDDR should be treated as an analog power rail and filtered appropriately.
8	CLK_IN	I, DIF	0.7 V Differential input.
9	$\overline{CLK\_IN}$	I, DIF	0.7 V Differential input.
10	SA_0	I,PU	3.3 V LVTTTL input selecting the address. Tri-level input. Internal pullup.
11	SDA	I/O	Open collector SMBus data.
12	SCL	I/O	SMBus slave clock input.
13	SA_1	I,PU	3.3 V LVTTTL input selecting the address. Tri-level input. Internal pullup.
14	$\overline{FBOUT / NC}$	I/O	Complementary differential feedback output. Do not connect this pin to anything.
15	FBOUT / NC	I/O	True differential feedback output. Do not connect this pin to anything.
16	GND	GND	Ground for outputs.
17	DIF_0	O, DIF	0.7 V Differential clock outputs. Default is 1:1.
18	$\overline{DIF\_0}$	O, DIF	0.7 V Differential clock outputs. Default is 1:1.
19	DIF_1	O, DIF	0.7 V Differential clock outputs. Default is 1:1.
20	$\overline{DIF\_1}$	O, DIF	0.7 V Differential clock outputs. Default is 1:1.
21	VDD_IO	VDD	Power supply for differential outputs.
22	GND	GND	Ground for outputs.
23	DIF_2	O, DIF	0.7 V Differential clock outputs. Default is 1:1.
24	$\overline{DIF\_2}$	O, DIF	0.7 V Differential clock outputs. Default is 1:1.

# Si53119-A03A

**Table 25. Si53119-A03A 72-Pin QFN Descriptions (Continued)**

Pin #	Name	Type	Description
25	DIF_3	O, DIF	0.7 V Differential clock outputs. Default is 1:1.
26	$\overline{\text{DIF}}_3$	O, DIF	0.7 V Differential clock outputs. Default is 1:1.
27	GND	GND	Ground for outputs.
28	VDD	3.3 V	3.3 V power supply for outputs.
29	DIF_4	O, DIF	0.7 V Differential clock outputs. Default is 1:1.
30	$\overline{\text{DIF}}_4$	O, DIF	0.7 V Differential clock outputs. Default is 1:1.
31	DIF_5	O, DIF	0.7 V Differential clock outputs. Default is 1:1.
32	$\overline{\text{DIF}}_5$	O, DIF	0.7 V Differential clock outputs. Default is 1:1.
33	VDD_IO	VDD	Power supply for differential outputs.
34	GND	GND	Ground for outputs.
35	DIF_6	O, DIF	0.7 V Differential clock outputs. Default is 1:1.
36	$\overline{\text{DIF}}_6$	O, DIF	0.7 V Differential clock outputs. Default is 1:1.
37	DIF_7	O, DIF	0.7 V Differential clock outputs. Default is 1:1.
38	$\overline{\text{DIF}}_7$	O, DIF	0.7 V Differential clock outputs. Default is 1:1.
39	GND	GND	Ground for outputs.
40	VDD_IO	VDD	Power supply for differential outputs.
41	DIF_8	O, DIF	0.7 V Differential clock outputs. Default is 1:1.
42	$\overline{\text{DIF}}_8$	O, DIF	0.7 V Differential clock outputs. Default is 1:1.
43	DIF_9	O, DIF	0.7 V Differential clock outputs. Default is 1:1.
44	$\overline{\text{DIF}}_9$	O, DIF	0.7 V Differential clock outputs. Default is 1:1.
45	VDD	3.3 V	3.3 V power supply for outputs.
46	GND	GND	Ground for outputs.
47	DIF_10	O, DIF	0.7 V Differential clock outputs. Default is 1:1.
48	$\overline{\text{DIF}}_{10}$	O, DIF	0.7 V Differential clock outputs. Default is 1:1.
49	DIF_11	O, DIF	0.7 V Differential clock outputs. Default is 1:1.
50	$\overline{\text{DIF}}_{11}$	O, DIF	0.7 V Differential clock outputs. Default is 1:1.
51	GND	GND	Ground for outputs.
52	VDD_IO	VDD	Power supply for differential outputs.
53	DIF_12	O, DIF	0.7 V Differential clock outputs. Default is 1:1.

Table 25. Si53119-A03A 72-Pin QFN Descriptions (Continued)

Pin #	Name	Type	Description
54	$\overline{\text{DIF}}_{12}$	O, DIF	0.7 V Differential clock outputs. Default is 1:1.
55	DIF_13	O, DIF	0.7 V Differential clock outputs. Default is 1:1.
56	$\overline{\text{DIF}}_{13}$	O, DIF	0.7 V Differential clock outputs. Default is 1:1.
57	VDD_IO	VDD	Power supply for differential outputs.
58	GND	GND	Ground for outputs.
59	DIF_14	O, DIF	0.7 V Differential clock outputs. Default is 1:1.
60	$\overline{\text{DIF}}_{14}$	O, DIF	0.7 V Differential clock outputs. Default is 1:1.
61	DIF_15	O, DIF	0.7 V Differential clock outputs. Default is 1:1.
62	$\overline{\text{DIF}}_{15}$	O, DIF	0.7 V Differential clock outputs. Default is 1:1.
63	GND	GND	Ground for outputs.
64	VDD	3.3 V	3.3 V power supply for outputs.
65	DIF_16	O, DIF	0.7 V Differential clock outputs. Default is 1:1.
66	$\overline{\text{DIF}}_{16}$	O, DIF	0.7 V Differential clock outputs. Default is 1:1.
67	DIF_17	O, DIF	0.7 V Differential clock outputs. Default is 1:1.
68	$\overline{\text{DIF}}_{17}$	O, DIF	0.7 V Differential clock outputs. Default is 1:1.
69	VDD_IO	VDD	Power supply for differential outputs.
70	GND	GND	Ground for outputs.
71	DIF_18	O, DIF	0.7 V Differential clock outputs. Default is 1:1.
72	$\overline{\text{DIF}}_{18}$	O, DIF	0.7 V Differential clock outputs. Default is 1:1.
73	GND	GND	Ground for outputs.

# Si53119-A03A

## 6. Power Filtering Example

### 6.1. Ferrite Bead Power Filtering

Recommended ferrite bead filtering equivalent to the following: 600 Ω impedance at 100 MHz, ≤ 0.1 Ω DCR max., ≥ 400 mA current rating.

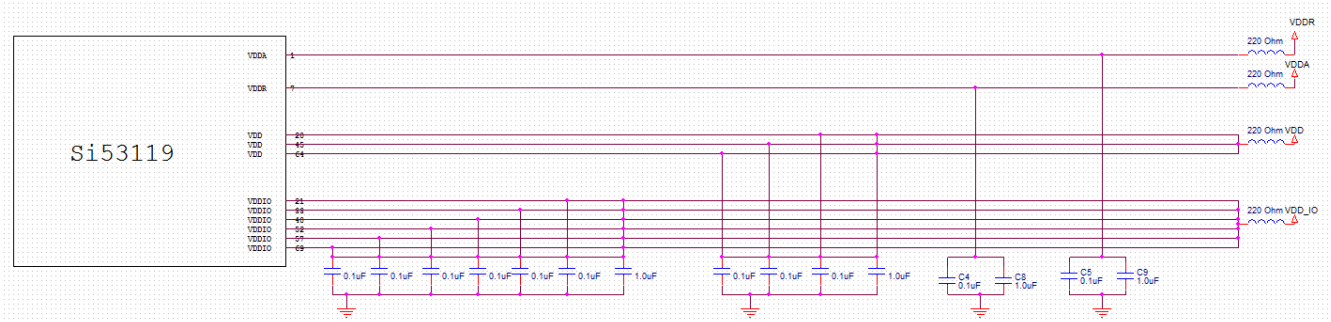


Figure 11. Schematic Example of the Si53119-A03A Power Filtering

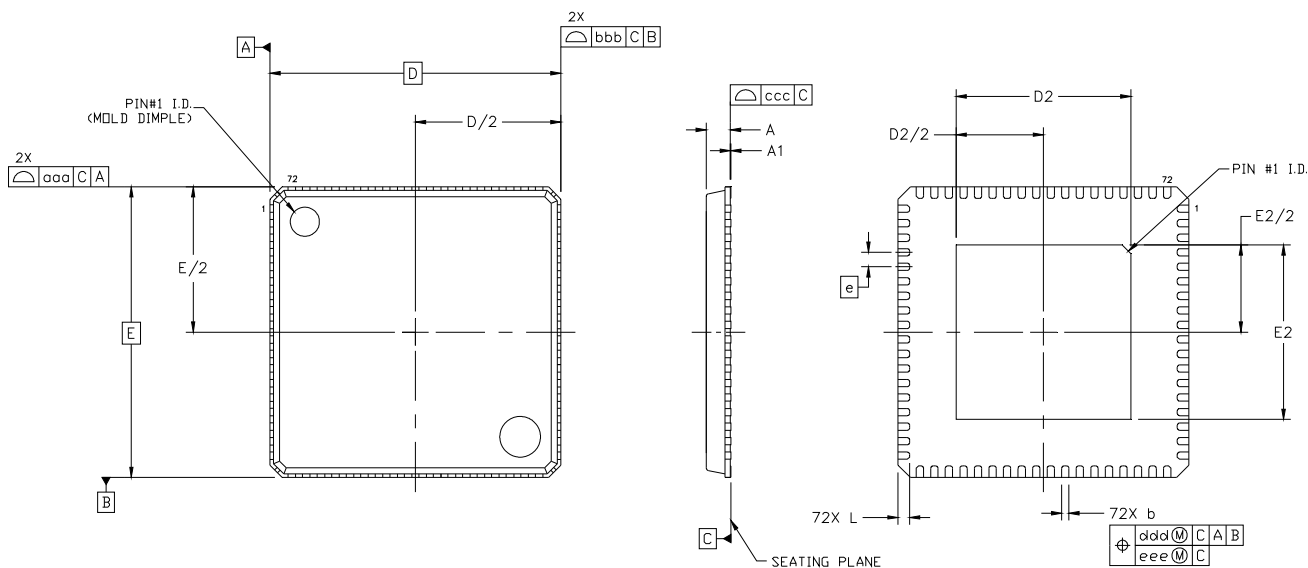
## 7. Ordering Guide

Part Number	Package Type	Temperature
<b>Lead-free</b>		
Si53119-A03AGM	72-pin QFN	Extended, -40 to 85 °C
Si53119-A03AGMR	72-pin QFN—Tape and Reel	Extended, -40 to 85 °C

# Si53119-A03A

## 8. Package Outline

Figure 12 illustrates the package details for the Si53119-A03A. Table 26 lists the values for the dimensions shown in the illustration.



**Figure 12. 72-Pin Quad Flat No Lead (QFN) Package**

**Table 26. Package Dimensions**

Dimension	Min	Nom	Max	Dimension	Min	Nom	Max
A	0.80	0.85	0.90	E2	5.90	6.00	6.10
A1	0.00	0.02	0.05	L	0.30	0.40	0.50
b	0.18	0.25	0.30	aaa	0.10		
D	10.00 BSC.			bbb	0.10		
D2	5.90	6.00	6.10	ccc	0.08		
e	0.50 BSC.			ddd	0.10		
E	10.00 BSC.			eee	0.05		

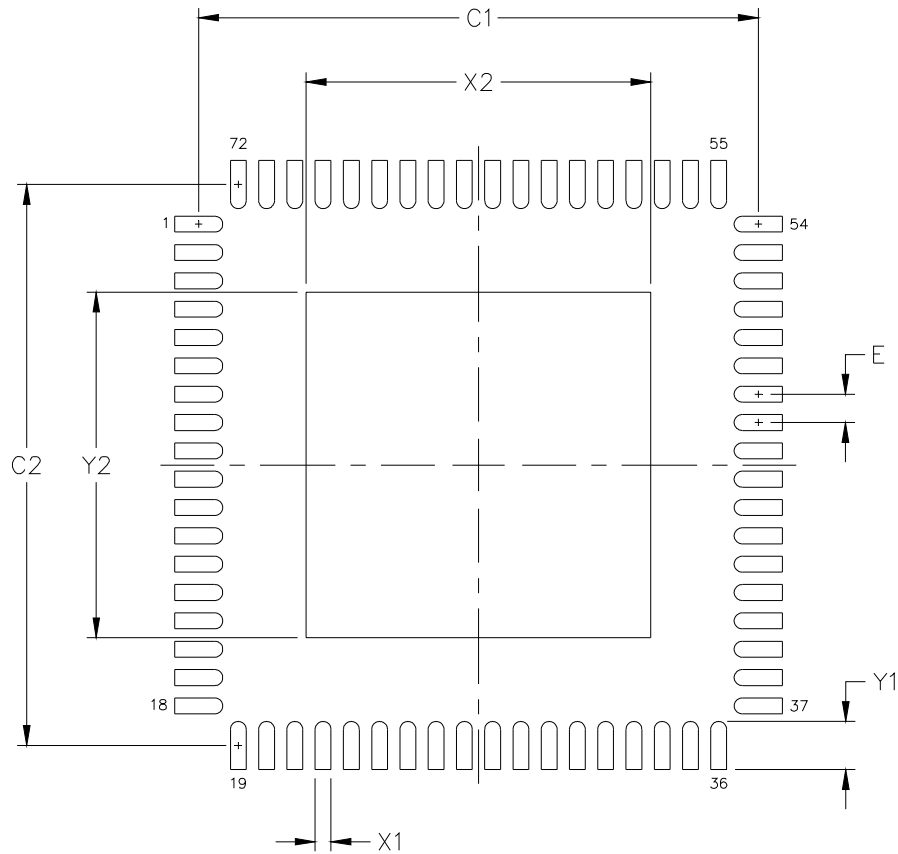
**Notes:**

1. All dimensions shown are in millimeters (mm) unless otherwise noted.
2. Dimensioning and Tolerancing per ANSI Y14.5M-1994.
3. This drawing conforms to JEDEC outline MO-220
4. Recommended card reflow profile is per the JEDEC/IPC J-STD-020 specification for Small Body Components.



## 9. Land Pattern: 72-pin QFN

Figure 13 shows the recommended land pattern details for the Si53119-A03A in a 72-pin QFN package. Table 27 lists the values for the dimensions shown in the illustration.



**Figure 13. 72-pin QFN Land Pattern**

**Table 27. PCB Land Pattern Dimensions**

Dimension	mm
C1	9.90
C2	9.90
E	0.50
X1	0.30
Y1	0.85
X2	6.10
Y2	6.10

## DOCUMENT CHANGE LIST

### Revision 1.0 to Revision 1.1

- Updated " Functional Block Diagram" on page 2.
- Updated "2.5. HBW\_BYPASS\_LBW" on page 15.
- Updated "4.3. Control Registers" on page 21.
  - Updated Default settings in Table 22, "Byte 6: Device ID Control Register," on page 24.



# SKYWORKS®

## ClockBuilder Pro

Customize Skyworks clock generators, jitter attenuators and network synchronizers with a single tool. With CBPro you can control evaluation boards, access documentation, request a custom part number, export for in-system programming and more!

[www.skyworksinc.com/CBPro](http://www.skyworksinc.com/CBPro)



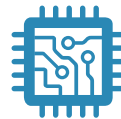
**Portfolio**

[www.skyworksinc.com/ia/timing](http://www.skyworksinc.com/ia/timing)



**SW/HW**

[www.skyworksinc.com/CBPro](http://www.skyworksinc.com/CBPro)



**Quality**

[www.skyworksinc.com/quality](http://www.skyworksinc.com/quality)



**Support & Resources**

[www.skyworksinc.com/support](http://www.skyworksinc.com/support)

### Copyright © 2021 Skyworks Solutions, Inc. All Rights Reserved.

Information in this document is provided in connection with Skyworks Solutions, Inc. ("Skyworks") products or services. These materials, including the information contained herein, are provided by Skyworks as a service to its customers and may be used for informational purposes only by the customer. Skyworks assumes no responsibility for errors or omissions in these materials or the information contained herein. Skyworks may change its documentation, products, services, specifications or product descriptions at any time, without notice. Skyworks makes no commitment to update the materials or information and shall have no responsibility whatsoever for conflicts, incompatibilities, or other difficulties arising from any future changes.

No license, whether express, implied, by estoppel or otherwise, is granted to any intellectual property rights by this document. Skyworks assumes no liability for any materials, products or information provided hereunder, including the sale, distribution, reproduction or use of Skyworks products, information or materials, except as may be provided in Skyworks' Terms and Conditions of Sale.

THE MATERIALS, PRODUCTS AND INFORMATION ARE PROVIDED "AS IS" WITHOUT WARRANTY OF ANY KIND, WHETHER EXPRESS, IMPLIED, STATUTORY, OR OTHERWISE, INCLUDING FITNESS FOR A PARTICULAR PURPOSE OR USE, MERCHANTABILITY, PERFORMANCE, QUALITY OR NON-INFRINGEMENT OF ANY INTELLECTUAL PROPERTY RIGHT; ALL SUCH WARRANTIES ARE HEREBY EXPRESSLY DISCLAIMED. SKYWOKS DOES NOT WARRANT THE ACCURACY OR COMPLETENESS OF THE INFORMATION, TEXT, GRAPHICS OR OTHER ITEMS CONTAINED WITHIN THESE MATERIALS. SKYWOKS SHALL NOT BE LIABLE FOR ANY DAMAGES, INCLUDING BUT NOT LIMITED TO ANY SPECIAL, INDIRECT, INCIDENTAL, STATUTORY, OR CONSEQUENTIAL DAMAGES, INCLUDING WITHOUT LIMITATION, LOST REVENUES OR LOST PROFITS THAT MAY RESULT FROM THE USE OF THE MATERIALS OR INFORMATION, WHETHER OR NOT THE RECIPIENT OF MATERIALS HAS BEEN ADVISED OF THE POSSIBILITY OF SUCH DAMAGE.

Skyworks products are not intended for use in medical, lifesaving or life-sustaining applications, or other equipment in which the failure of the Skyworks products could lead to personal injury, death, physical or environmental damage. Skyworks customers using or selling Skyworks products for use in such applications do so at their own risk and agree to fully indemnify Skyworks for any damages resulting from such improper use or sale.

Customers are responsible for their products and applications using Skyworks products, which may deviate from published specifications as a result of design defects, errors, or operation of products outside of published parameters or design specifications. Customers should include design and operating safeguards to minimize these and other risks. Skyworks assumes no liability for applications assistance, customer product design, or damage to any equipment resulting from the use of Skyworks products outside of Skyworks' published specifications or parameters.

Skyworks, the Skyworks symbol, Sky5®, SkyOne®, SkyBlue™, Skyworks Green™, Clockbuilder®, DSPLL®, ISOModem®, ProSLIC®, and SiPHY® are trademarks or registered trademarks of Skyworks Solutions, Inc. or its subsidiaries in the United States and other countries. Third-party brands and names are for identification purposes only and are the property of their respective owners. Additional information, including relevant terms and conditions, posted at [www.skyworksinc.com](http://www.skyworksinc.com), are incorporated by reference.