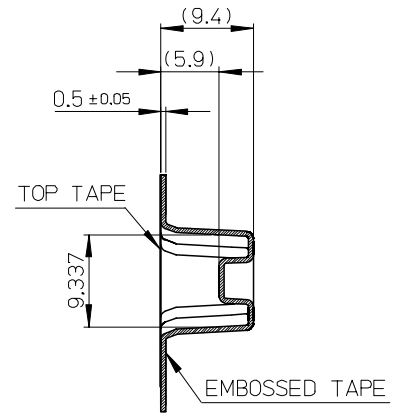
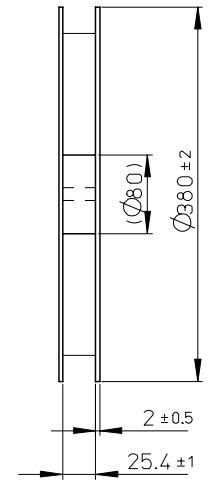
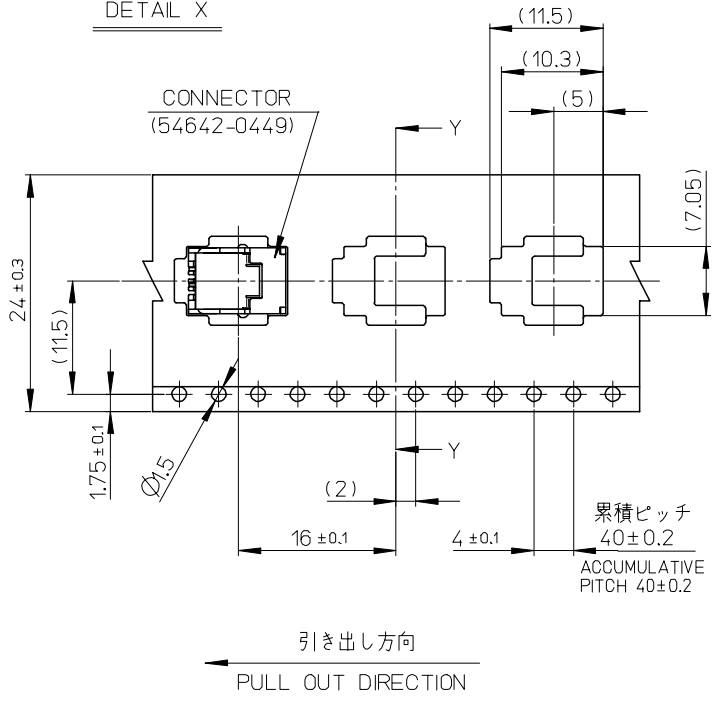


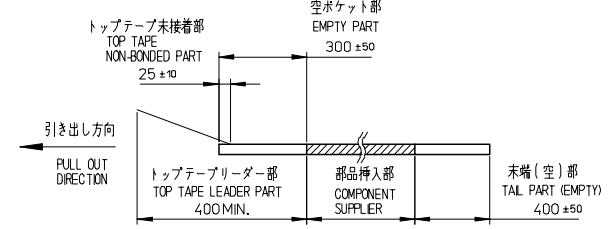
DETAIL X



SECTION Y-Y

注記
NOTES

- 製品詳細寸法については製品単体図面参照。
DETAILED DIMENTION OF THIS PRODUCT, SEE PRODUCT DRAWING.
- 梱包数量：600 個／リール
NUMBER OF CONNECTORS：600 PCS/REEL
- リードテープ長さ
LEAD TAPE LENGTH



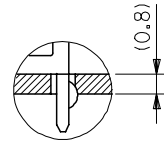
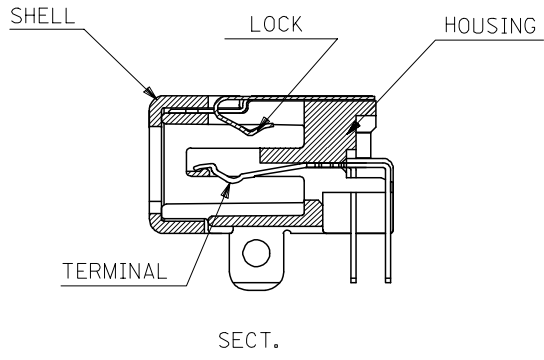
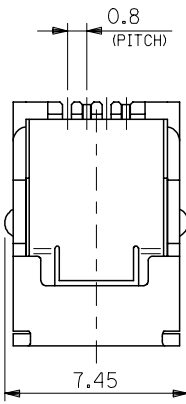
4. 材料 MATERIAL

キャリアテープ：ポリスチレン
CARRIER TAPE：POLYSTYRENE
トップテープ：PET + その他
TOP TAPE：PET + OTHERS
リール：ポリスチレン<リサイクル材含む>
REEL：POLYSTYRENE<RECYCLE MATERIAL CONTAINED>

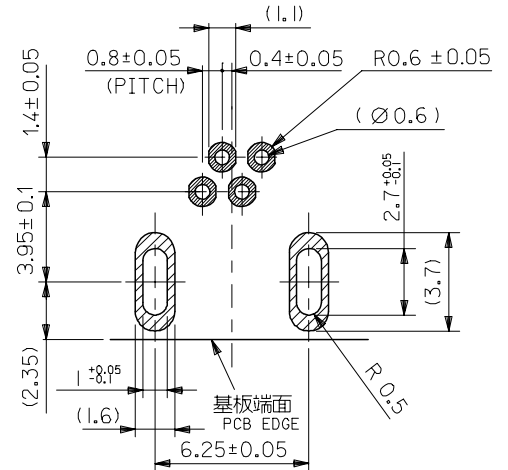
24mm	54642-0471	4
キャリアテープ幅 CARRIER TAPE WIDTH	製品番号 MATERIAL No.	極数 CIRCUIT

REVISED EC NO: J2008-0731 DRW: TENAGASE 2007/09/12 CHK: HATSUMOTO 2007/09/14 APP: NUKITA 2007/09/18	GENERAL TOLERANCES (UNLESS SPECIFIED)		DIMENSION STYLE MM ONLY		SCALE ---	DESIGN UNIT'S METRIC	THIRD ANGLE PROJECTION
	10 UNDER	± 0.2	DRAWN BY TENAGASE	DATE 06/05/15			
	10 OVER 30 UNDER	± 0.25	CHECKED BY THARUYAMA	DATE 06/05/15			
	30 OVER	± 0.3	APPROVED BY NUKITA	DATE 06/05/15			
ANGULAR	± 3 °	MATERIAL NO. 54642-***71	DOCUMENT NO. SD-54642-014	SHEET NO. 1 OF 1			
A	DRAFT WHERE APPLICABLE MUST REMAIN WITHIN DIMENSIONS		SIZE A3		THIS DRAWING CONTAINS INFORMATION THAT IS PROPRIETARY TO MOLEX INCORPORATED AND SHOULD NOT BE USED WITHOUT WRITTEN PERMISSION		

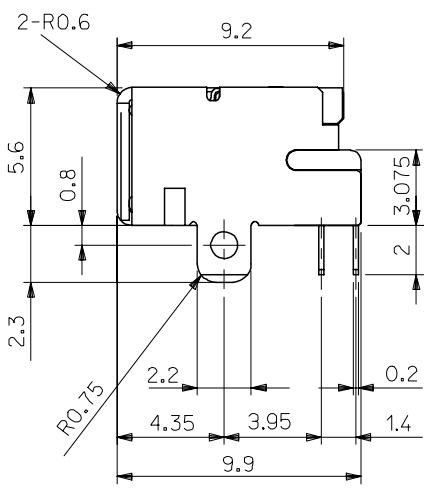
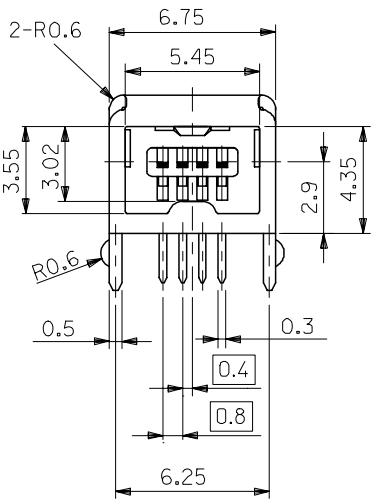
10 9 8 7 6 5 4 3 2 1



基板装着参考図 (シェル)
FIGURE OF MOUTING (SHELL)



推奨基板寸法(実装面)($t=0.8$)
REFERENCE USE ONLY PCB PATTERN LAYOUT ($t=0.8$)



注記
NOTES

- 材質
 - ハウジング: PA46、UL94V-0
HOUSING: PA46 UL94V-0
 - ターミナル: リン青銅 ($t=0.2$)
TERMINAL: PHOSPHOR BRONZE
 - メッキ 接点部: 金メッキ0.76 MICROMETER MIN.
PLATING CONTACT AREA: GOLD 0.76 MICROMETER MIN.
 - 半田付け部: 錫メッキ1 MICROMETER MIN.
SOLDER TAIL AREA: TIN-PLATING 1 MICROMETER MIN.
 - 下地メッキ: ニッケルメッキ2 MICROMETER MIN.
UNDER PLATING: NICKEL 2 MICROMETER MIN.
 - シェル: 鋼 ($t=0.5$)
SHELL: STEEL
 - メッキ 半田付け部: 錫メッキ1 MICROMETER MIN.
PLATING SOLDER TAIL AREA: TIN-PLATING 1 MICROMETER MIN.
 - 下地メッキ: ニッケルメッキ1.5 MICROMETER MIN.
UNDER PLATING: NICKEL 1.5 MICROMETER MIN.
 - ロック: リン青銅 ($t=0.15$)
LOCK: PHOSPHOR BRONZE
 - メッキ 錫メッキ0.9 MICROMETER MIN.
PLATING TIN-PLATING: 0.9 MICROMETER MIN.

2. ELV and RoHS Compliant.

54642-0449
MATERIAL No.
MODEL No. : 54642-**49

RELEASED EC NO: J2008-0731 DRWN: TENAGASE 2007/09/12 CHKD: HATSUMOTO 2007/09/14 APPR: NUKITA 2007/09/18	GENERAL TOLERANCES (UNLESS SPECIFIED)		DIMENSION STYLE MM ONLY		SCALE 5:1	DESIGN UNITS METRIC	THIRD ANGLE PROJECTION	
	10 UNDER	±0.2	DRAWN BY TENAGASE	DATE 07/09/12	TITLE 0.8 I/O CONN. SOCKET HOUSING ASS'Y MOLEX INCORPORATED			
	10 OVER 30 UNDER	±0.25	CHECKED BY HATSUMOTO	DATE 07/09/12				
	30 OVER	±0.3	APPROVED BY NUKITA	DATE 07/09/12				
	ANGULAR ±3 °		DRAFT WHERE APPLICABLE MUST REMAIN WITHIN DIMENSIONS		MATERIAL NO. 54642-**49	DOCUMENT NO. SD-54642-015	SHEET NO. 1 OF 1	
0		A3		THIS DRAWING CONTAINS INFORMATION THAT IS PROPRIETARY TO MOLEX INCORPORATED AND SHOULD NOT BE USED WITHOUT WRITTEN PERMISSION				