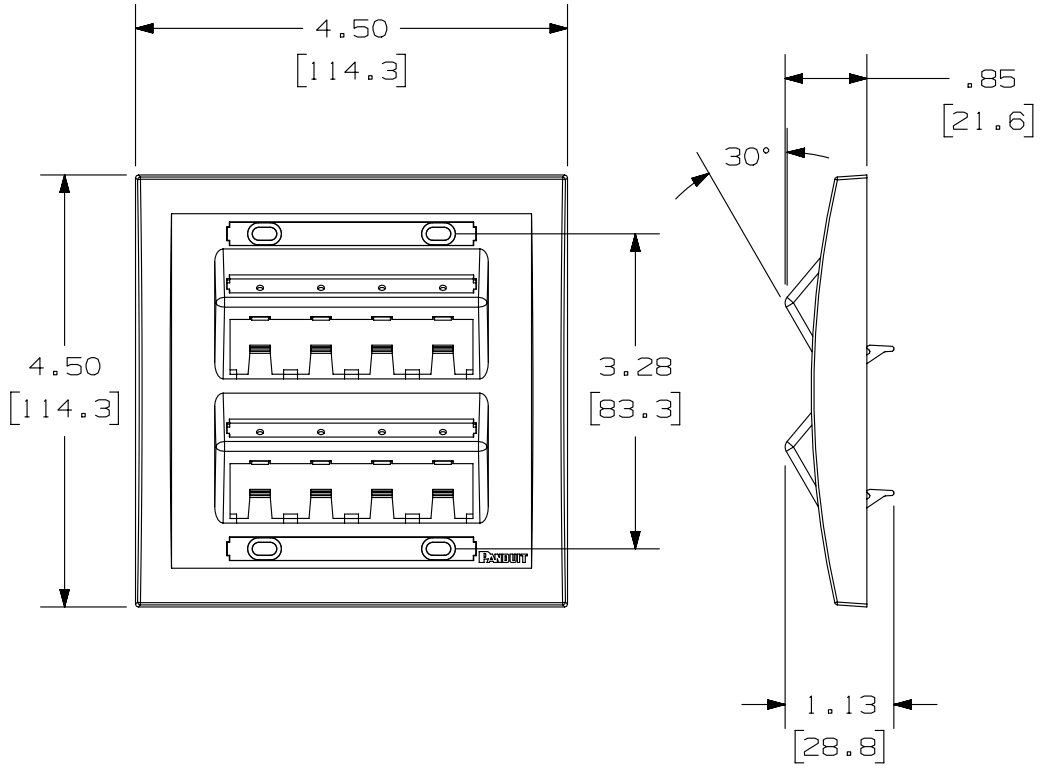


2

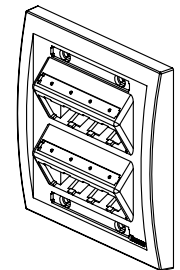
1

THIS COPY IS PROVIDED ON A RESTRICTED BASIS AND IS NOT TO BE USED IN ANY WAY DETRIMENTAL TO THE INTERESTS OF PANDUIT CORP.

PANDUIT P/N	WEIGHT
UICFPSE8**-2G	1.00 LB/10 PCS. (454.4 G/10 PCS.)



- NOTES:
- SEE CURRENT CATALOG FOR ADDITIONAL PART NUMBER SUFFIXES TO INDICATE COLOR AND OR PACKAGE QUANTITY.
 - SEE CATALOG FOR COMPLETE LIST OF PARTS APPLICABLE FOR USE WITH THIS PART.
 - DIMENSIONS IN PARENTHESES ARE IN METRIC.
 - PART INCLUDES:
 - 1- FACEPLATE
 - 2- COLOR COORDINATED LABEL COVER
 - 4- CLEAR LABEL COVER
 - 4- MOUNTING SCREW



PART NUMBER		UICFPSE8**-2G	
TITLE			
MINI-COM ULTIMATE ID 8 POSITION EXECUTIVE SLOPED		DOUBLE GANG FACEPLATE	
CUSTOMER DRAWING			
ITEM REVISION NAME		M01739BD/03	
DATASET FILE NAME		M01739BD_DC/03A	
UNLESS OTHERWISE SPECIFIED, DIMENSIONAL TOLERANCES ARE: IN (mm)		MATERIAL:	
.x ± .03 (.8)		ABS	
.xxx ± .010 (.3)		DRAWING NUMBER:	
ANGLES ±		01739-02	
THIRD ANGLE PROJECTION		SHT 1 OF 1	
DRAWN BY	DATE	CHK	SCALE
JSP	9-18-03	EB	FULL
REV	DATE	BY	CHK
1	5-14-14	BJN	JSP
APR	DESCRIPTION		ECN
	REVISED & REDRAWN PREVIOUS REVISIONS REMVD FOR CLARITY		01739-02

D10100DA/14

2

1