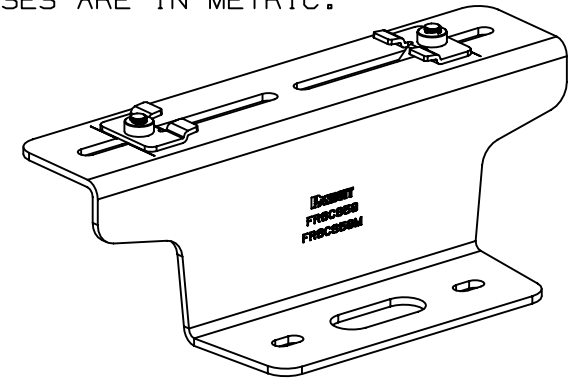
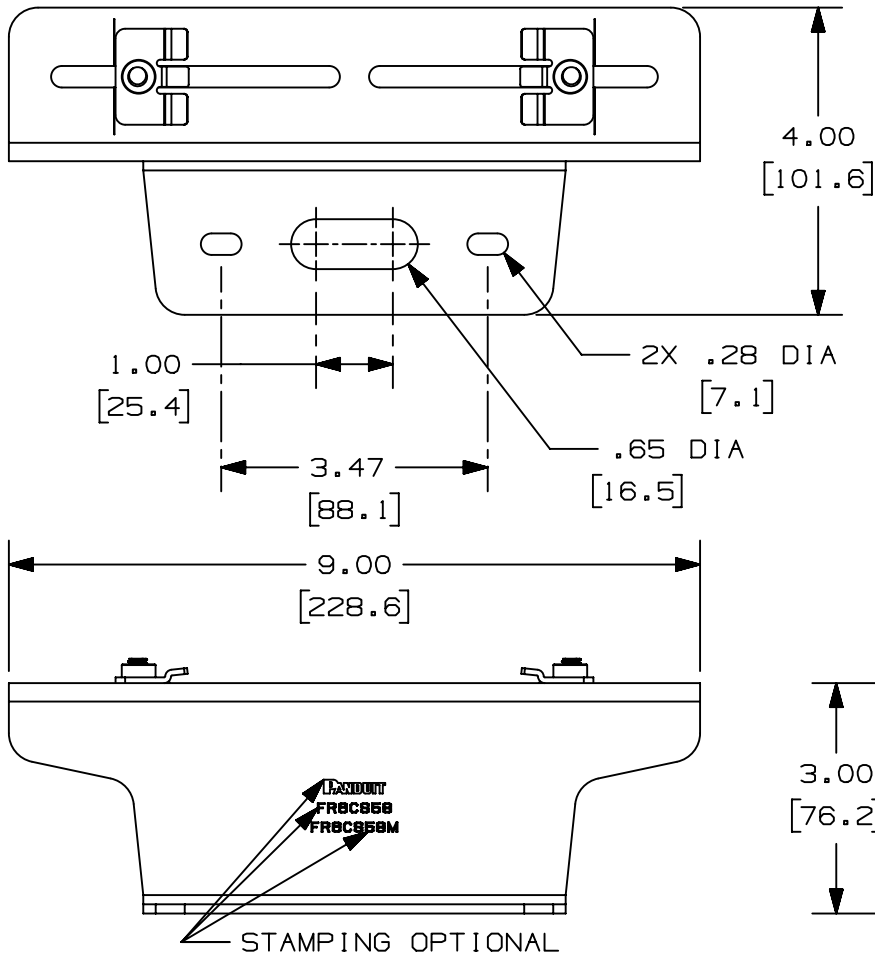


THIS COPY IS PROVIDED ON A RESTRICTED BASIS AND IS NOT TO BE USED IN ANY WAY DETRIMENTAL TO THE INTERESTS OF PANDUIT CORP.

PANDUIT P/N	WEIGHT
FR6CS58 FR6CS58M	1.91 LB/EACH (864g/EACH)

NOTES:

- SEE CURRENT CATALOG FOR ADDITIONAL PART SUFFIXES TO INDICATE PACKAGE QUANTITY.
- THE FIBERRUNNER 4x4 AND 6x4 QUIKLOCK CENTER SUPPORT BRACKET IS USED TO SUPPORT THE FIBERRUNNER 4x4 AND/OR 6x4 CABLE ROUTING SYSTEMS FROM NEW 5/8" (M16) THREADED ROD (NOT INCLUDED).
- THE FIBERRUNNER 4x4 AND 6x4 QUIKLOCK CENTER SUPPORT BRACKET INCLUDES:
ONE (1) BRACKET ASSEMBLY,
TWO (2) 5/8 HELICAL SPRING LOCKWASHERS,
TWO (2) 5/8-11 HEAVY HEX NUTS (FR6CS58 ONLY),
TWO (2) M16x2 HEX NUTS (FR6CS58M ONLY).
- FINISH COLOR: BLACK (EXCEPT FOR HARDWARE).
- DIMENSIONS IN PARENTHESES ARE IN METRIC.



TITLE
**FIBERRUNNER 4x4 AND 6x4 QUIKLOCK CENTER
 SUPPORT BRACKET - 5/8" (M16) THREADED
 ROD
 (FR6CS58, FR6CS58M)**

CUSTOMER DRAWING

ITEM REVISION NAME D38022BM/01		PANDUIT
DATASET FILE NAME D38022BM_DC/02B		
UNLESS OTHERWISE SPECIFIED, DIMENSIONAL TOLERANCES ARE: (.X) ± (.XXX) ± (.XX) ± .03 (.8) ANGLES ±		MATERIAL: STEEL
THIRD ANGLE PROJECTION		DRAWING NUMBER: 38022-28
DRAWN BY MSO	DATE 4-19-01	CHK CFG
SCALE NONE		SIZE A

REV	DATE	BY	CHK	APR	DESCRIPTION	ECN
02B	11-18-19	MES	FWI	FWI	B. ADDED STAMPING OPTIONAL NOTE A. UPDATED TITLE BLOCK TO LATEST REVISION REMOVED PRIOR REVISIONS	V09002CN/07

D10100DA/20