



CAB497RF: MMCX R/A PLUG + FRONT MOUNT SMA S/T BULKHEAD JACK WITH O-RING RATED TO IP67/68 +MULTIPLE CABLE SIZES, 6GHz

SPECIFICATIONS :

1. MMCX RIGHT ANGLE PLUG, P/N: RFCT-MMCX007-M78.
2. COAXIAL CABLE, SEE P/N FOR DETAIL.
3. FRONT MOUNT SMA STRAIGHT BULKHEAD JACK WITH O-RING RATED TO IP67/68, GOLD PLATED. P/N: RFCT-SMA087-F78.

ENVIRONMENTAL:

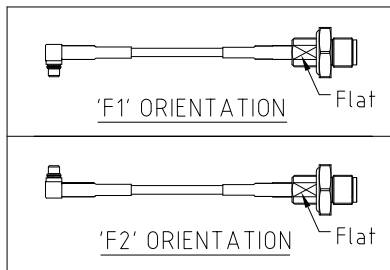
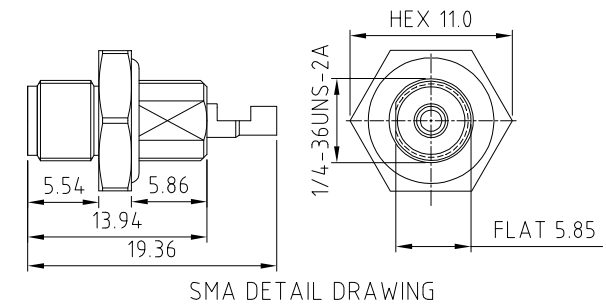
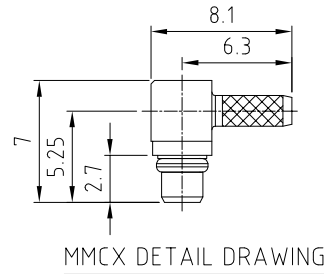
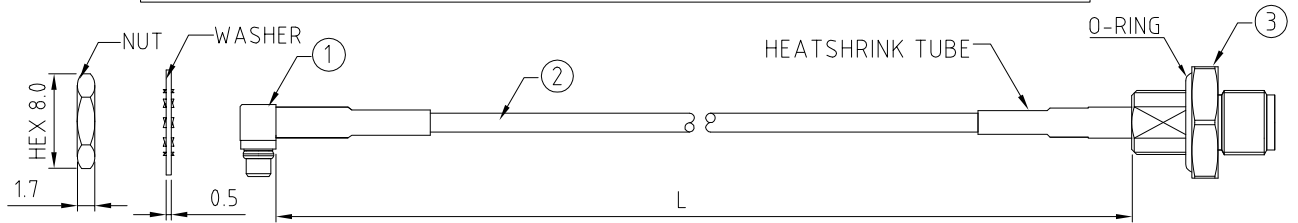
- A. BULKHEAD MOUNTED CONNECTOR (RFCT-SMA087-F78) RATED TO THE FOLLOWING SPECIFICATION:
- i. IP6X - DUST TIGHT - NO PARTICLE INGRESS.
 - ii. IPX7 WATERPROOF FOR 30 MINUTES UP TO 1 METER UNDERWATER.
 - iii. IPX8 WATERPROOF FOR 48 HOURS AT 1 METER UNDERWATER.
 - iv. IPX8 WATERPROOF FOR 12 HOURS AT 5 METERS UNDERWATER.
 - v. PRESSURE TEST - 1 BAR FOR 10 SECONDS.

NOTES:

1. THE ORIENTATION OF CONNECTORS ON DRAWING IS FOR REFERENCE ONLY, IF THE ORDER IS LEFT BLANK THE CONNECTOR WILL NOT HAVE FIXED ORIENTATION.
2. FIXED ORIENTATION IS SUGGESTED FOR CABLE LENGTH 50MM TO 100MM. PLEASE SPECIFY THE FIXED ORIENTATIONS FROM THE ORDER CODE (F1, F2, ETC)
3. CONTACT GRADCONN IF THE ORIENTATION YOU REQUIRE IS NOT SHOWN.
4. WORKING FREQUENCY RANGE: DC-6GHz.
5. OPERATING TEMPERATURE: -40°C TO +125°C.
6. IMPEDANCE: 50 OHM.
5. IT IS INTENDED THAT MOUNTING OF THIS CONNECTOR IS ACHIEVED USING THE NUT AND WASHER PROVIDED. PLEASE CONTACT GRADCONN FOR ADVISE IF PLANNING TO USE A DIFFERENT METHOD OF MOUNTING.

USAGE PRECAUTIONS: CABLES USING 'MICRO' COAX ARE DELICATE:

- (i) HANDLE WITH CARE.
- (ii) DO NOT TWIST; APPLY EXCESSIVE FORCES OR SHARP BENDS TO THE CABLE. DO NOT FORCEFULLY DEFORM WIRES.
- (iii) CONSULT CONNECTOR MANUFACTURER'S DATASHEETS FOR DETAILED NOTES ON HANDLING INSTRUCTIONS.



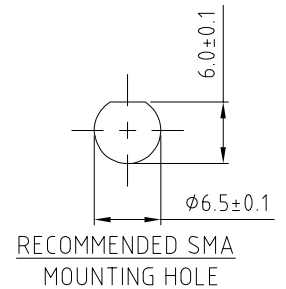
HOW TO ORDER
 CAB497RF - X X X X - X X - X - X

"L" LENGTH IN MM:
 eg: 100MM = 0100
 (MIN. 0050-MAX.2000)
 STANDARD = 0100, 0150, 0200
 Tolerance: 50-200mm: ±5mm.
 201-500mm: ±7mm.
 >500mm: ±10mm.

CABLE OPTIONS:
 1 = RG178 CABLE, COLOR: BROWN
 2 = Ø1.37MM CABLE, COLOR: BLACK

WASHER AND NUT OPTIONS:
 BLANK = SEPARATELY PACKED (STANDARD)
 A = ALL ASSEMBLED WITH CONNECTOR

ORIENTATION OPTIONS:
 BLANK = DOES NOT HAVE A FIXED ORIENTATION
 F1 = MMCX CONNECTION DOWN (L=50-200MM)
 F2 = MMCX CONNECTION UP (L=50-200MM)
 (SEE NOTES 1, 2, 3 AND DIAGRAMS FOR MORE INFORMATION)



REV. DATE & DRN
 1.0 30/12/21 - NYW RELEASE
 1.1 03/10/22 - NYW
 ADD 131 CABLE OPTION

| | | | |
|------------------|-----------------------|---|---|
| Scale: NTS | THIRD ANGLE | Unstated .X .XX .XXX ANGLES | Tolerances: N/A N/A N/A N/A |
| Drawn: NYW | | | |
| App'd: XXX | Title: CABLE ASSEMBLY | | |
| Date: 3 OCT. '22 | Revision: 1.1 | Unit: mm | |



IP67/68 Rated Cables

www.gradconn.com

© THIS DRAWING IS CONFIDENTIAL AND MUST NOT BE COPIED OR DISCLOSED WITHOUT WRITTEN CONSENT

| | |
|-----------------------------|-----------|
| Drawing Number: CAB497RF | |
| Sheet 1 | of 1 |
| Drawing © | E and O.E |