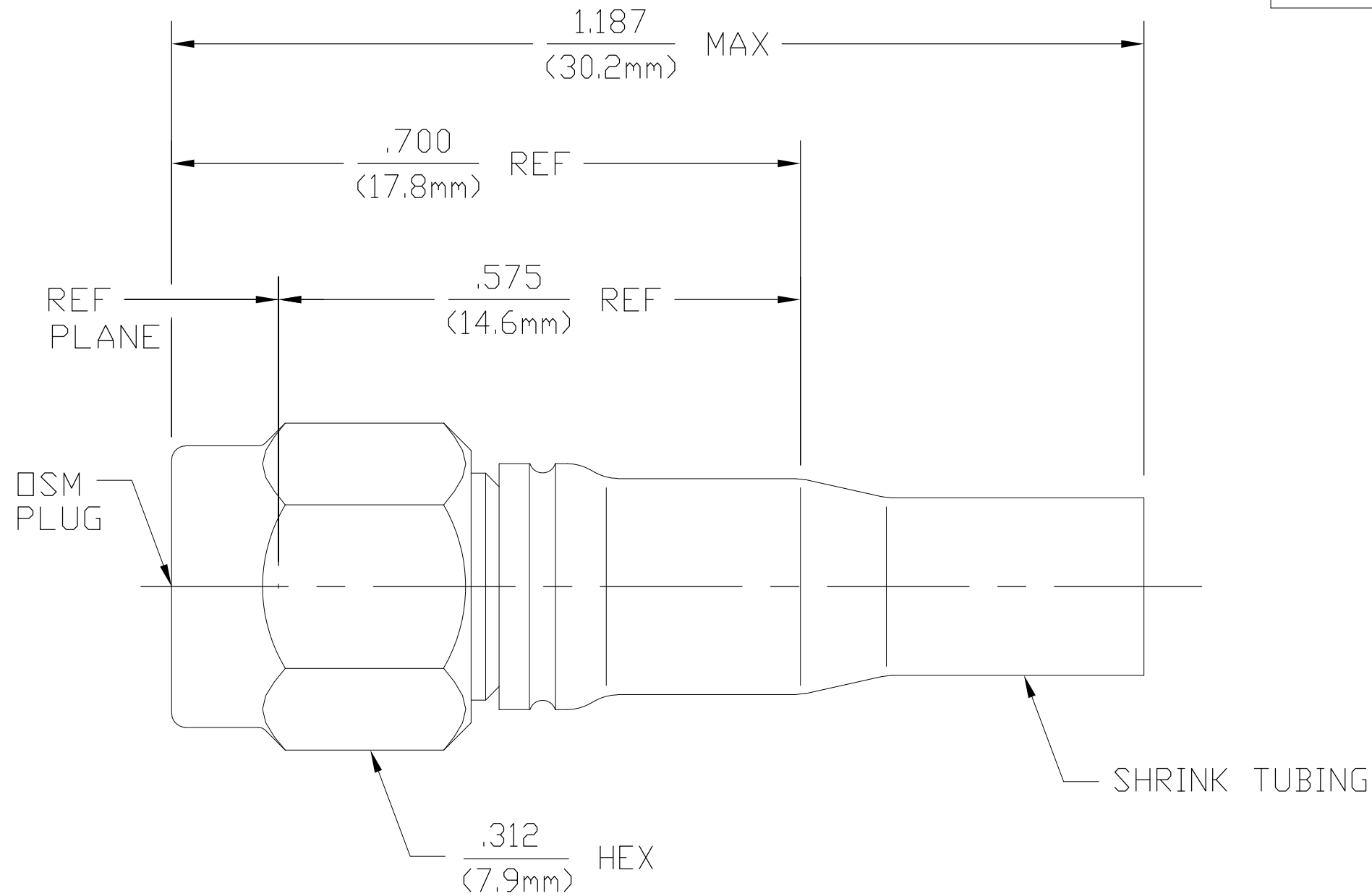


THIS DRAWING IS UNPUBLISHED. RELEASED FOR PUBLICATION
 © COPYRIGHT BY TYCO ELECTRONICS CORPORATION. ALL RIGHTS RESERVED.

DESIGNED FOR USE WITH RG-188/U CABLE	
CABLE ENTRY DIAMETER MINIMUM	
FERRULE	.125
HOUSING	.067
CONTACT	.021

LOC	DIST	REVISIONS					
AJ	00	P	LTR	DESCRIPTION	DATE	DWN	APVD
		B		REV PER ECO 07-004710	3/12/2007	DW	KW



1051655-1
PART NUMBER

ELECTRICAL	MECHANICAL	ENVIRONMENTAL
Nominal Impedance (Ohms) <u>50</u>	Interface Dimensions MIL-STD-348A, Fig. 310.1	TEMPERATURE RATING <u>-65°C TO +165°C</u>
Frequency Range (GHz) <u>DC to 12.4</u>	Recommended Mating Torque <u>7 to 10 in-lbs</u>	Vibration MIL-STD-202, Method 204, Condition B.
Volt Rating (VRMS MAX) @ Sea Level <u>250</u>	Force to Engage and Disengage (in-lbs MAX) <u>2.0</u>	Shock MIL-STD-202, Method 213, Condition I.
VSWR <u>1.15 ± .015F (GHz)</u>	Center Contact Captivation Axial (lbs) <u>N/A</u>	Thermal Shock MIL-STD-202, Method 107, Condition B.
Insertion Loss (dB MAX) <u>.15 @ 6 GHz</u>	Radial (in-oz) <u>N/A</u>	Moisture Resistance MIL-STD-202, Method 106
RF Leakage (dB MIN) <u>-60 @ 2 - 3 GHz</u>	Cable Retention Axial Force (lbs) <u>20.0</u>	Corrosion - MIL-STD-202, Method 101, Condition B, 5% salt spray
Corona, 70,000 Ft (VRMS MIN) <u>375</u>	Torque (in-lbs) <u>N/A</u>	
Dielectric Withstanding Voltage (VRMS MIN) @ Sea Level <u>750</u>	Coupling Nut Retention (lbs MIN) <u>60</u>	
Contact Resistance (Milliohms MAX) Center Contact <u>3.0</u>	Proof Torque (in-lbs MIN) <u>15</u>	
Outer Contact <u>2.0</u>	Weight (Grams) <u>2.9</u>	
Cable to Housing <u>0.5</u>		
RF High Potential @ Sea Level (VRMS MIN @ 5 MHz) <u>1,000</u>		
I.R.(Megohms MIN) <u>5,000</u>		

.XXX = in
XX.X = mm (REF)

COMPONENT	MATERIAL	FINISH
HOUSING COUPLING NUT	STAINLESS STEEL PER ASTM-A484 AND ASTM-A582, TYPE 303	PASSIVATE PER QQ-P-35
DIELECTRIC	PTFE FLUOROCARBON PER ASTM-D-1457	N/A
CENTER CONTACT	BERYLLIUM COPPER PER ASTM-B-196 OR ASTM-B-197, ALLOY C17300, CONDITION H OR BRASS PER ASTM-B-16	GOLD PLATE PER MIL-G-45204
RETAINING RING	BERYLLIUM COPPER PER ASTM-B-194, ALLOY C17200, CONDITION H	N/A
GASKET	SILICONE RUBBER PER ZZ-R-765	N/A
SHRINK TUBING	HEAT SHRINKABLE POLYOLEFIN COMPOUND MIL-I-23053/4	N/A
FERRULE	COPPER OR BRASS ALLOY ROCKWELL F65 MAXIMUM	GOLD PLATE PER MIL-G-45204

THIS DRAWING IS A CONTROLLED DOCUMENT.

DWN	DRF	10/17/76	Tyco Electronics Corporation Harrisburg, PA 17105-3608
CHK	RBG	4/6/77	
APVD	-	-	
DIMENSIONS: INCHES			NAME
TOLERANCES UNLESS OTHERWISE SPECIFIED:			PRODUCT SPEC
0 PLC	±	-	APPLICATION SPEC
1 PLC	±	-	
2 PLC	±	-	
3 PLC	±	.005	
4 PLC	±	-	
ANGLES	±	1°	
MATERIAL	FINISH	WEIGHT	SIZE
-	-	-	A2
CUSTOMER DRAWING			CAGE CODE
			00779
			DRAWING NO
			C=1051655
			RESTRICTED TO
			-
SCALE			SHEET
5:1			1 of 1
REV			B