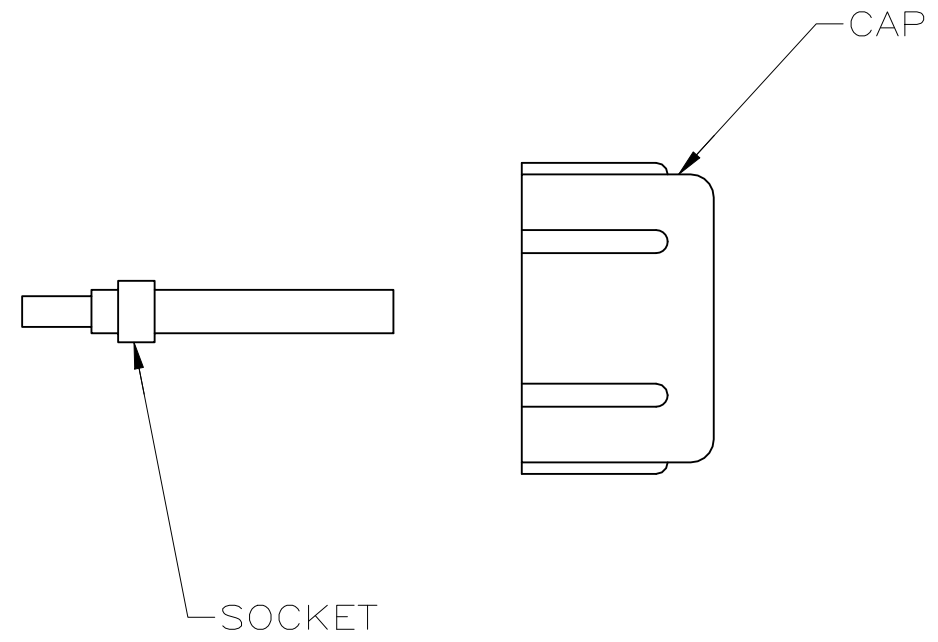
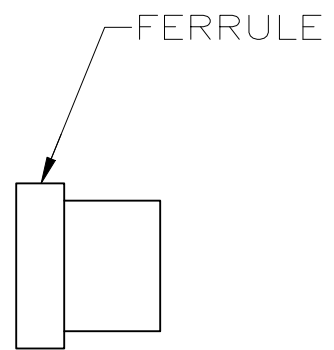
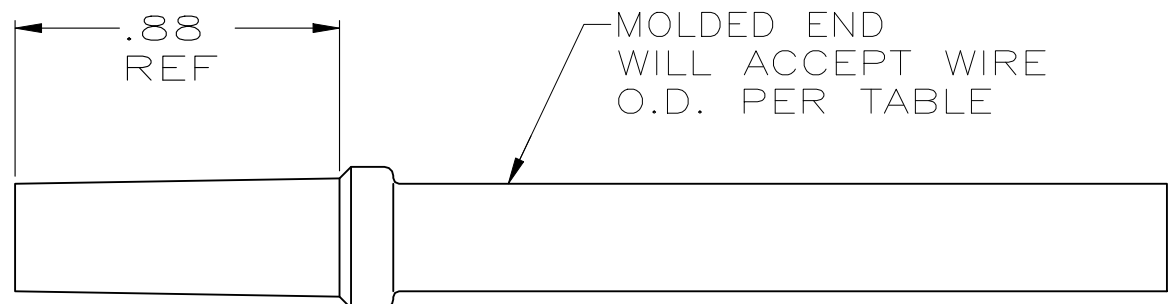

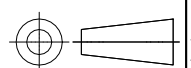


REVISIONS					
P	LTR	DESCRIPTION	DATE	DWN	APVD
	E	REV PER ECO 20-014407	3-8-21	CT	DM



.180	862128-4
.122	862128-3
.200	862128-2
.155	862128-1
WIRE O.D.	PART NO

1. WIRE IS CUSTOMER SUPPLIED.
2. QUANTITY OF EACH ITEM IS ONE PER KIT.

THIS DRAWING IS A CONTROLLED DOCUMENT.		DWN C.C.THOMAS 3-7-88	 TE Connectivity		
DIMENSIONS: INCHES		CHK M.GARDNER 3-7-88			
		APVD M.GARDNER 3-7-88	NAME KIT, LGH-1		
TOLERANCES UNLESS OTHERWISE SPECIFIED:		PRODUCT SPEC	-		
0 PLC ± -		APPLICATION SPEC	-		
1 PLC ± -		WEIGHT	0.000000	SIZE A3	CAGE CODE 00779
2 PLC ± .02		DRAWING NO C-862128		RESTRICTED TO	
3 PLC ± -		CUSTOMER DRAWING		-	
4 PLC ± -		SCALE 2:1		SHEET 1 OF 1	
ANGLES ± -		REV E			
FINISH					
-					