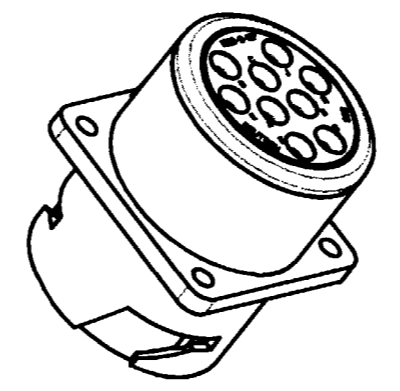
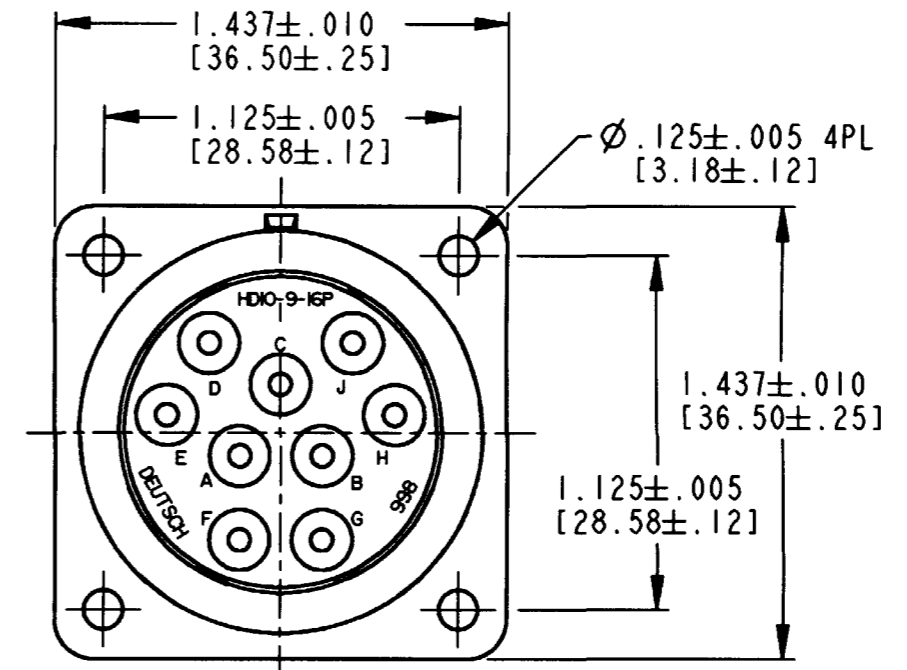
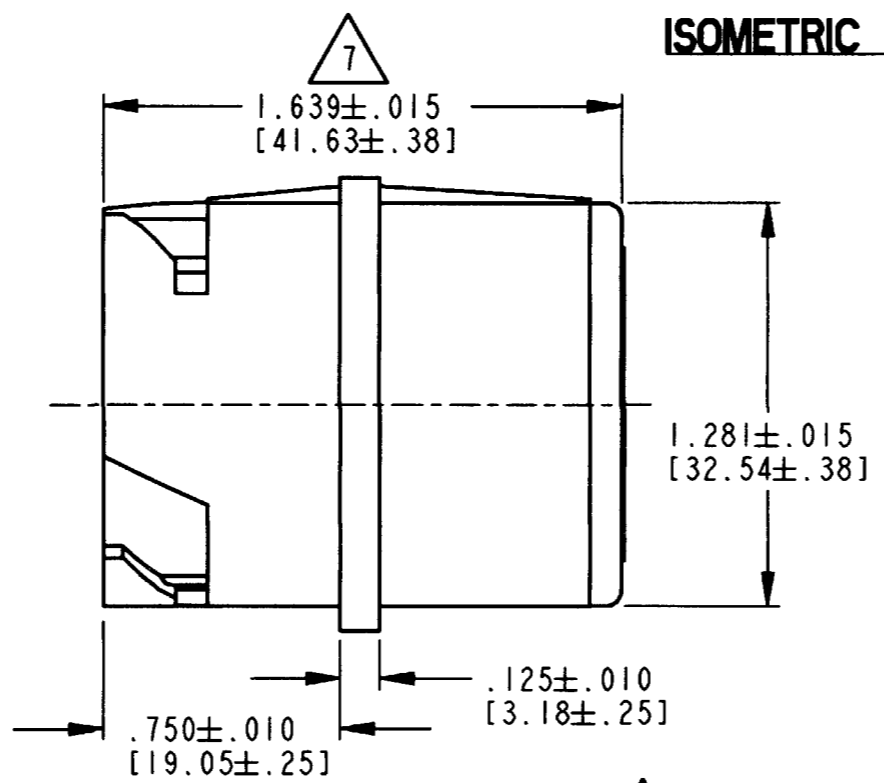
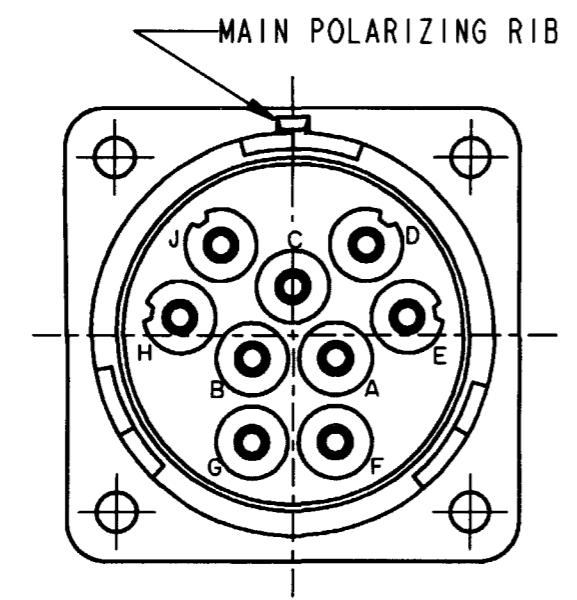


REV  
E HD10-9-16P



ISOMETRIC VIEW

REVISIONS			
SYM	DESCRIPTION	DATE	APPROVED
NC	NEW RELEASE PER E.O. A0147	05/27/83	
A	REVISED PER E.O. A1395	04/05/84	
B	REVISION (2) PER E.O. A3379	09/05/85	J.R.A.
C	REVISED PER E.O. A4536	01/10/86	J.R.A.
D	REVISED PER E.O. A5914	04/17/87	J.R.A.
E	REDRAWN & REVISED PER E.O. P16119	5/20/99	<i>[Signature]</i>



VIEW FROM REAR OF INSERT

4. ALL DIMENSIONS ARE IN INCHES [MILLIMETERS].  
 3. THIS CONNECTOR SERIES WILL ACCOMMODATE THE FOLLOWING WIRE INSULATION DIAMETERS:
- | CONTACT SIZE | MIN. INSUL O.D. | MAX. INSUL O.D. | WIRE RANGE [mm <sup>2</sup> ] |
|--------------|-----------------|-----------------|-------------------------------|
| 16           | .100 [2.45]     | .150 [3.81]     | 14-18 AWG [2.0-0.8]           |
2. CONSULT FACTORY FOR ELECTRICAL AND MATERIAL SPECIFICATION.  
 1. PERTINENT INFORMATION:  
 NOTES: 18 AND 16 POWER CONTACT PIN 0460-202-16141  
 16 AND 14 POWER CONTACT PIN 0460-215-16141

7. OVERALL DIMENSION DOES NOT INCLUDE RUBBER GROMMET.  
 6. THIS RECEPTACLE MATES WITH HD16-9-16S-\*\*\*\* PLUG (\*\*\*\* = ALL MODIFICATIONS).  
 5. FOR CONTACT AND WIRE PERFORMANCE AND APPLICATION CHARACTERISTICS SEE ENVELOPE DRAWING 0425-015-0000.

SIGNATURE & DATE		RECEPTACLE CONNECTOR SQUARE FLANGE HD10 SERIES ARR. 9-16	CP	MATL. CODE
DR	J. HAYNES 05/20/99		The Deutsch Company DEUTSCH I.P.D. 3850 INDUSTRIAL AVE. HEMET, CALIF. 92545	
CHK	<i>[Signature]</i> 5/20/99		B HD10-9-16P	
PE	<i>[Signature]</i> 5/28/99			
APPD	<i>[Signature]</i> 5/20/99	ENVELOPE	DWG SIZE	CODE 11139 SHEET   OF
SCALE 1:1.75 WT				