

**May not be suitable for all Medical and Aerospace applications.  
Contact Mallory Sonalert to discuss your application.**

Sensitivity Range	-36 ± 2 dB $R_L = 2.2\text{ k}\Omega$ $V_{cc} = 2.0\text{v}$ (1 kHz 0 dB = 1 v/Pa)
Impedance	Max. 2.2k $\Omega$ 1 kHz ( $R_L = 2.2\text{ k}\Omega$ )
Frequency	20 - 16000 Hz
Current Consumption	Max 0.5 mA
Operating Voltage Range	1.0 – 10 V
Max SPL (dB)	120 dB
S/N Ratio	More than 58 dB
Sensitivity Reduction	2.0 –1.0V Variation less than 3 dB
Storage Condition	-20 ~ +60°C; R.H. < 45% ~ 75%
Operating Condition	-20 ~ +60°C; R.H. <75%
Weight (g)	0.8

All soldering procedures must be completed in a metallic device, with soldering iron limited as 310° ± 20°C. All fixtures and irons must be statically grounded under each soldering process.

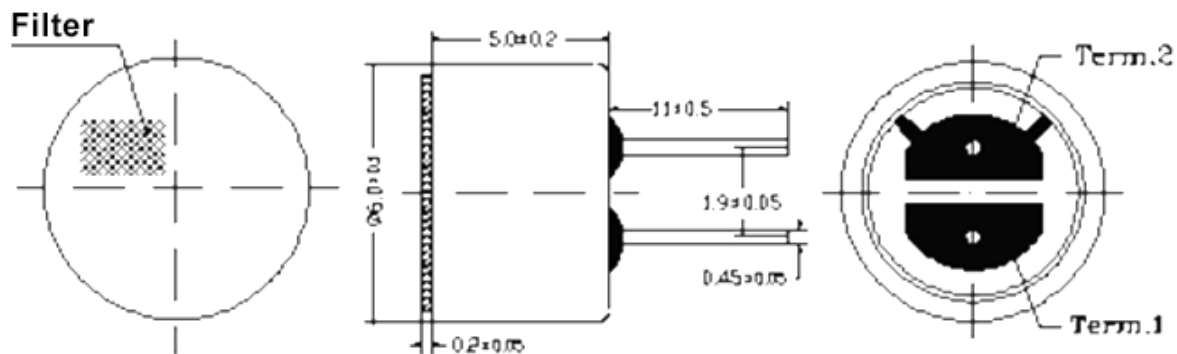
Soldering

Options

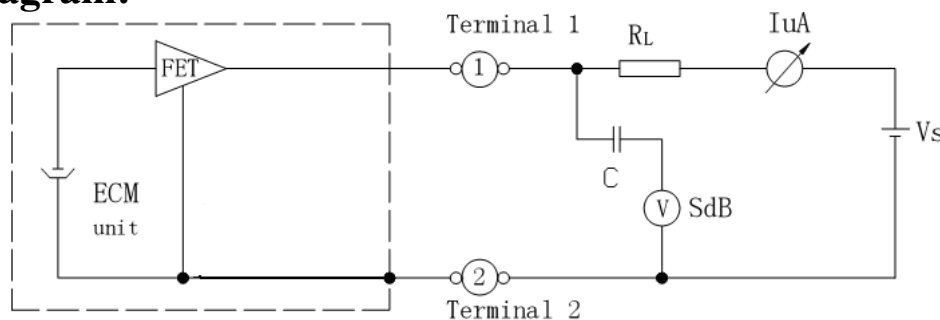
For other options contact factory

**Dimensions:** (units: mm)

**ROHS Compliant**



**Schematic Diagram:**



**Packaging:** Bulk pack in quantities of 100pcs.