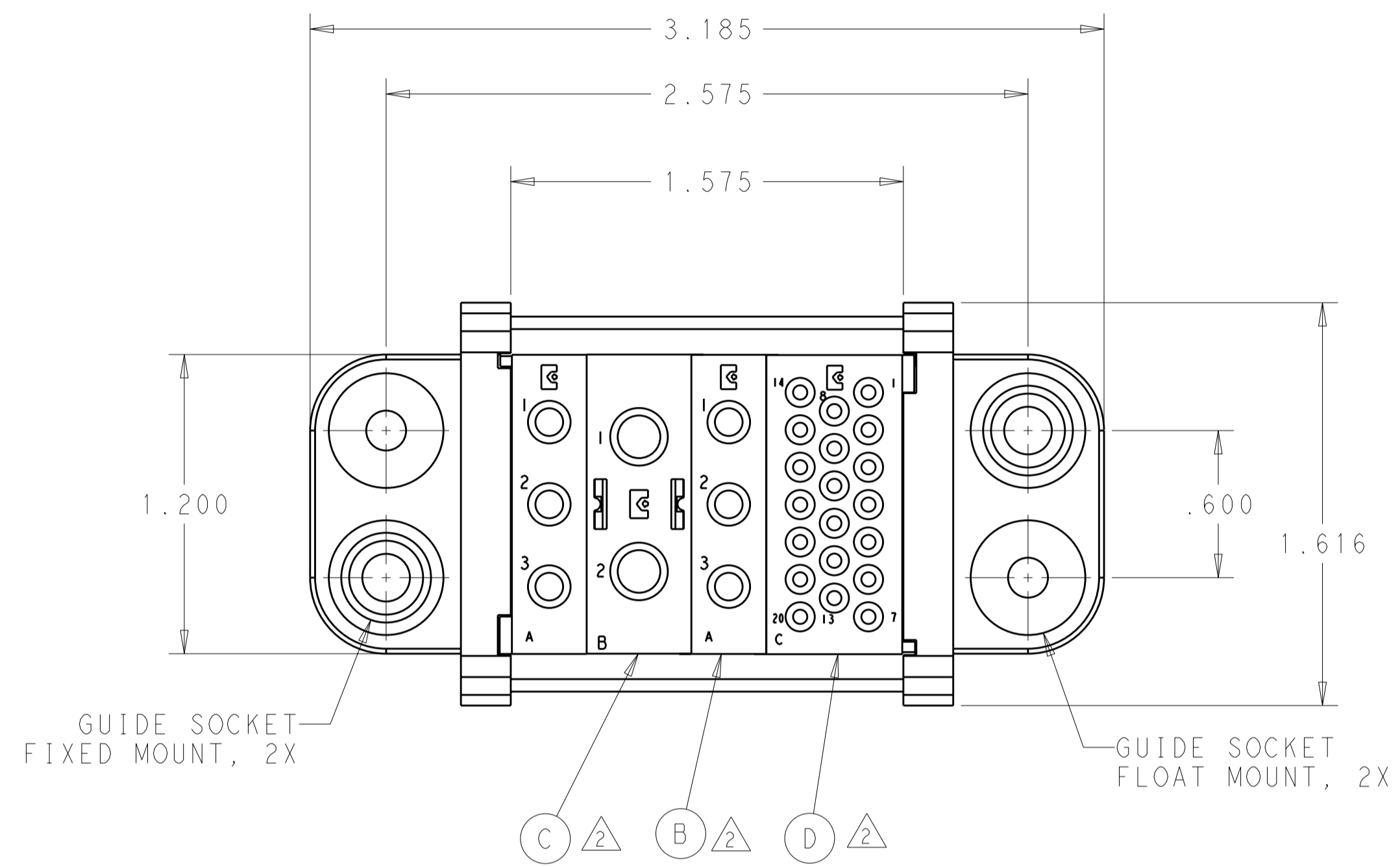
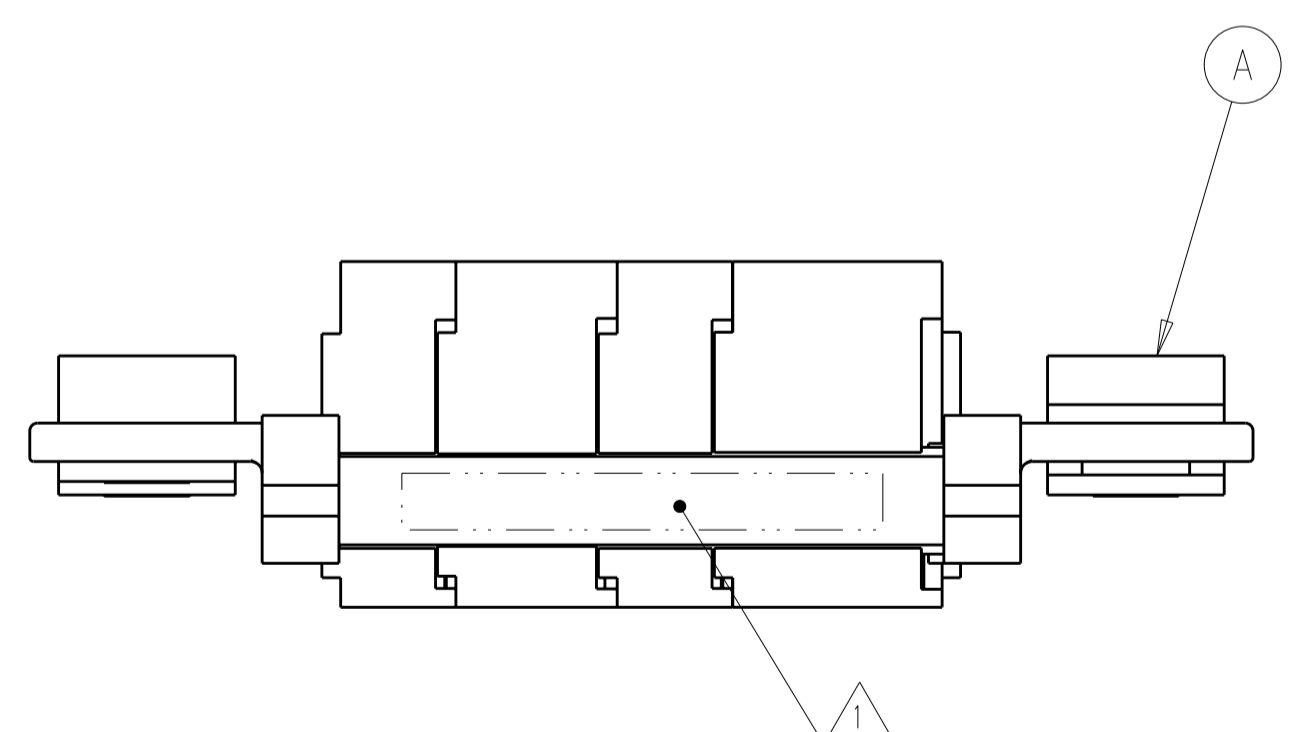


THIS DRAWING IS UNPUBLISHED. RELEASED FOR PUBLICATION 20
 © COPYRIGHT 20 TE ALL RIGHTS RESERVED.

LOC	DIST	REVISIONS					
GP	00	P	LTR	DESCRIPTION	DATE	DWN	APVD
		B		REV PER ECO-11-020271	07OCT2011	RG	DO



- ① ITEMS PROVIDED TO THIS SPECIFICATION TO BE PERMANENTLY IDENTIFIED PER THE FOLLOWING IDENTIFIER:
TE PART NUMBER AND MANUFACTURING DATE CODE
- ② MODULES ARE FOR CRIMP STYLE REMOVABLE CONTACTS (ITEMS E, F AND G). THEY ARE PACKAGED SEPARATELY WITH AN INSERTION/ REMOVAL TOOL AND WILL BE SHIPPED LOOSE WITH THE ASSEMBLY.
- ③ MOUNTING FLANGE BUSHING ACCEPTS 6/32 SCREW (Ø .156 CLEARANCE HOLE, FLOAT MOUNT) OR 8/32 SCREW (Ø .173 CLEARANCE HOLE, FIXED MOUNT) USER SUPPLIED.
- 4. CONNECTOR MATES WITH P/N 2085848-1



②	20	1648325-1	SOCKET CONTACT, SIZE No. 20, CRIMP	G
②	6	6648318-1	SOCKET CONTACT, SIZE No. 12, CRIMP	F
②	2	6648317-1	SOCKET CONTACT, SIZE No. 8, CRIMP	E
	1	1648468-1	MODULE "C"	D
	1	1648467-1	MODULE "B"	C
	2	1648466-1	MODULE "A"	B
	2	6648252-1	END CAP, GUIDE SOCKET, FLOAT	A
	-1	PART NO.	DESCRIPTION	ITEM

ELCON DOMINO

THIS DRAWING IS A CONTROLLED DOCUMENT.

DWN: R. GRZYBOWSKI 12AUG2011
 CHK: D. ORRIS 12AUG2011
 APVD: D. ORRIS 12AUG2011

STE TE Connectivity

NAME: SOCKET CONNECTOR ASSEMBLY W/ PANEL CUT-OUT DOMINO

SIZE: A2 CAGE CODE: 00779 DRAWING NO: 2085849 RESTRICTED TO: -

MATERIAL: - DIMENSIONS: INCHES TOLERANCES UNLESS OTHERWISE SPECIFIED: 0 PLC ±. 1 PLC ±.02 2 PLC ±.02 3 PLC ±.010 4 PLC ±. ANGLES ±. FINISH - WEIGHT: -

CUSTOMER DRAWING SCALE: 2:1 SHEET 1 OF 2 REV B

4

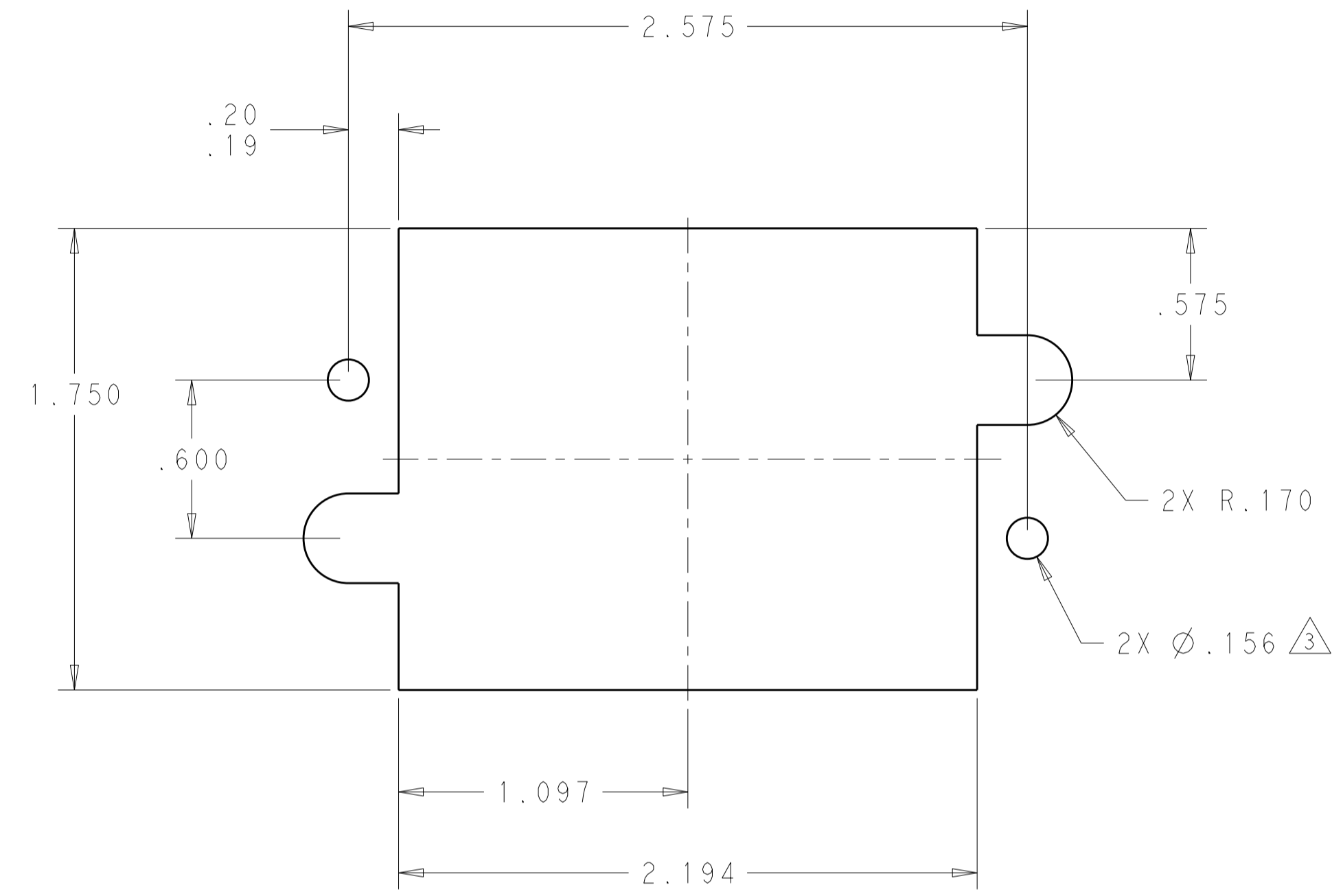
3

2

1


THIS DRAWING IS UNPUBLISHED. RELEASED FOR PUBLICATION 20
 © COPYRIGHT 20 TE ALL RIGHTS RESERVED.

LOC	DIST	REVISIONS			
P	LTR	DESCRIPTION	DATE	DWN	APVD
GP	00	-	SEE SHEET 1	-	-



SOCKET PANEL MOUNT CUT-OUT

ELCON **DOMINO**

THIS DRAWING IS A CONTROLLED DOCUMENT.		DWN R. GRZYBOWSKI 12AUG2011	 TE Connectivity	
DIMENSIONS: INCHES		CHK D. ORRIS 12AUG2011		
TOLERANCES UNLESS OTHERWISE SPECIFIED:		APVD D. ORRIS 12AUG2011	NAME SOCKET CONNECTOR ASSEMBLY W/ PANEL CUT-OUT DOMINO	
0 PLC ± 1 PLC ± 2 PLC ±.02 3 PLC ±.010 4 PLC ± ANGLES ± FINISH ±		PRODUCT SPEC -	SIZE A200779	DRAWING NO C-2085849
MATERIAL -		APPLICATION SPEC -	RESTRICTED TO -	SCALE 2:1
-		WEIGHT -	SHEET 2	OF 2
-		CUSTOMER DRAWING	REV B	