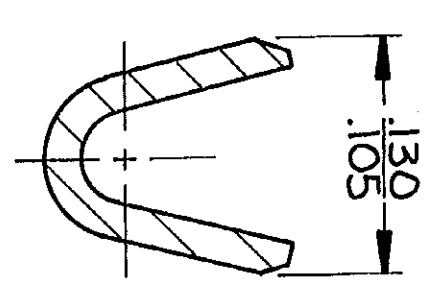
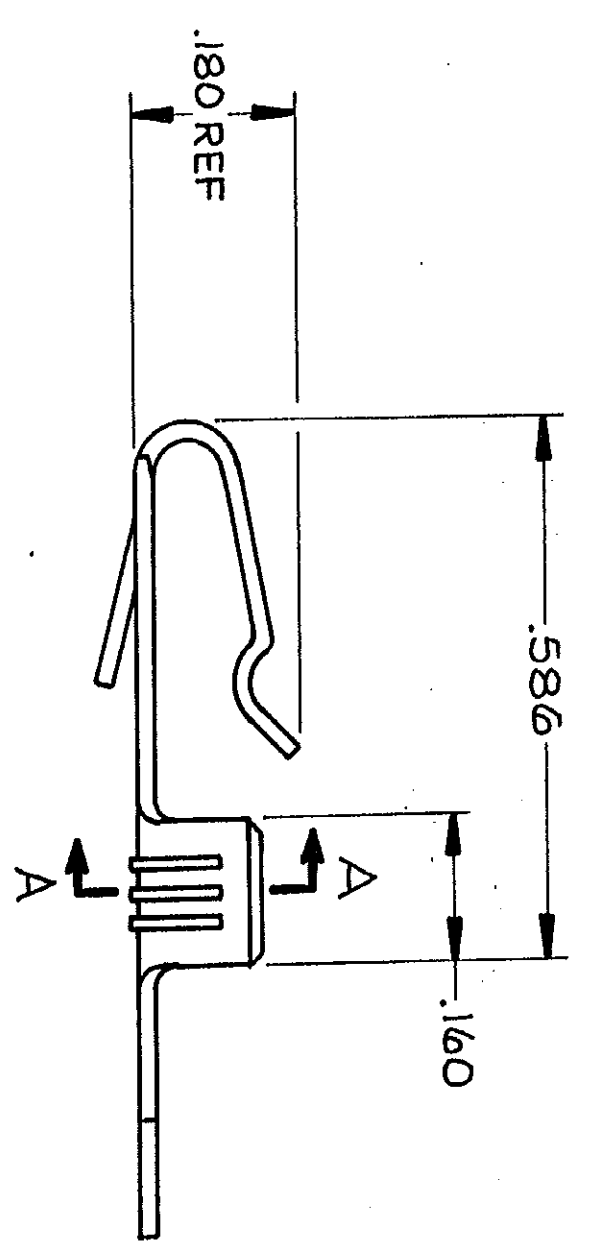
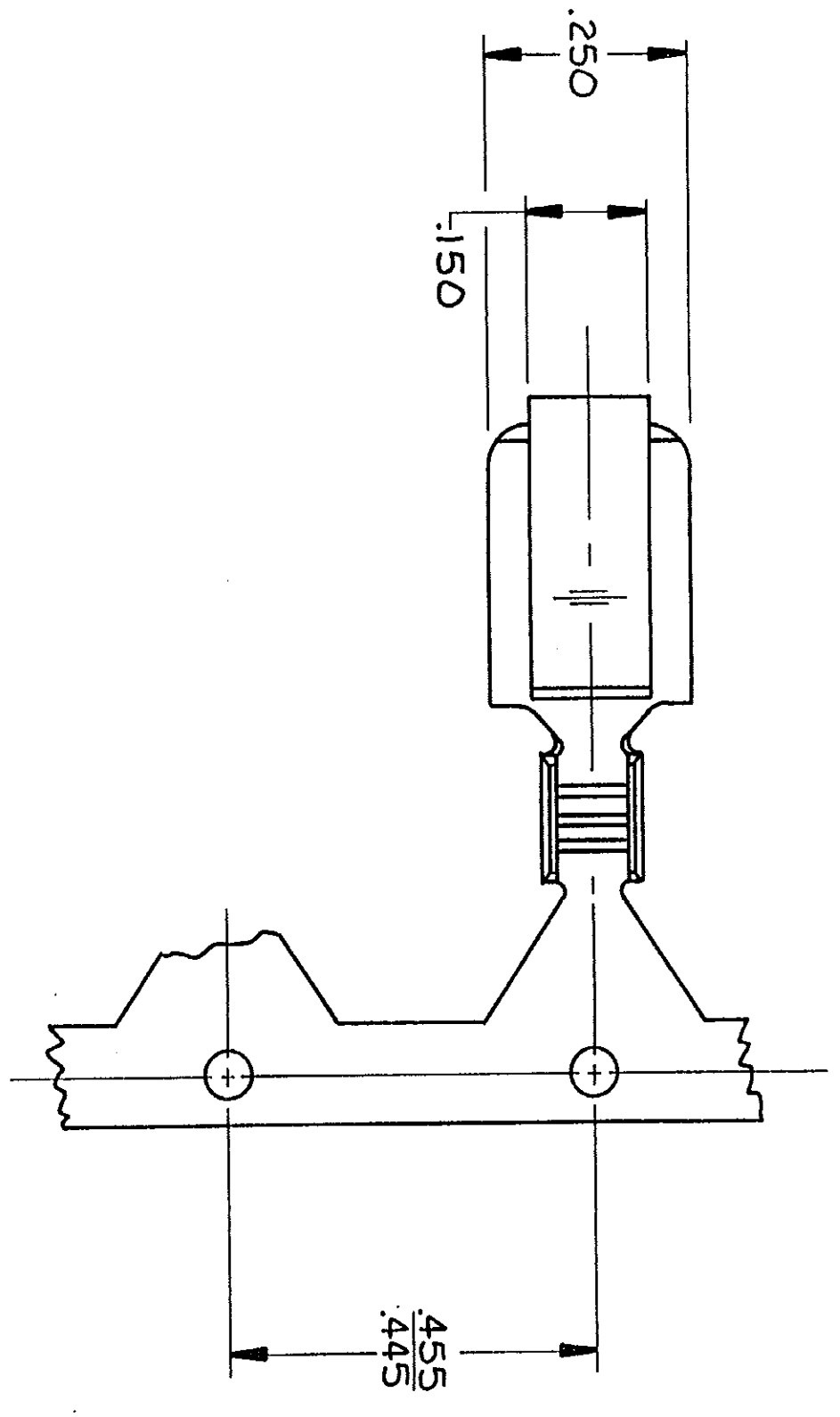


THIS DRAWING IS UNPUBLISHED. RELEASED FOR PUBLICATION
 © COPYRIGHT 1987 BY AMP INCORPORATED, HARRISBURG, PA. ALL INTERNATIONAL RIGHTS RESERVED. AMP PRODUCTS MAY BE COVERED BY U.S. AND FOREIGN PATENTS AND/OR PATENTS PENDING.

| LOC | DIST | REVISIONS | DATE | APPD |
|-----|------|-----------|---------------------------------|-----------------|
| AF | 50 | | | |
| P | F | ZONE LTR | | |
| | | C | REDWN & REACTIVED-1 PER PR 87-4 | 2-13-87 KM/RS |
| | | D | REV PER AF-8117 | 9/24/82 PWT/SFD |



SECTION A-A
SCALE 10:1

| | | | | | |
|---|------------|------------------|---------|-----------------------|-----------------------|
| UNLESS OTHERWISE SPECIFIED DIMENSIONS ARE IN INCHES TOLERANCES ON | | DR | 2-13-87 | NAME | AMP |
| 2 PL DEC | ± .015 | CHK | 2-16-87 | TERMINAL, FLUORESCENT | AMP INCORPORATED |
| 3 PL DEC | ± .015 | APPD | 2/16/87 | LAMP SOCKET | Harrisburg, Pa. 17105 |
| ANGLES | ± | APPD | | | |
| MATERIAL | .020 BRASS | PRODUCT SPEC | | | |
| FINISH | | APPLICATION SPEC | | | |
| WEIGHT | | SCALE | 5:1 | | |

| | | |
|-----------|-----------------|----------|
| 20-16 AWG | MINI | 640483-1 |
| WIRE SIZE | APPLICATOR TYPE | PART NO |

| | | |
|-------|---------|------------|
| SIZE | FSCM NO | DRAWING NO |
| C | 00779 | 640483 |
| SCALE | SHEET | 1 OF 1 |