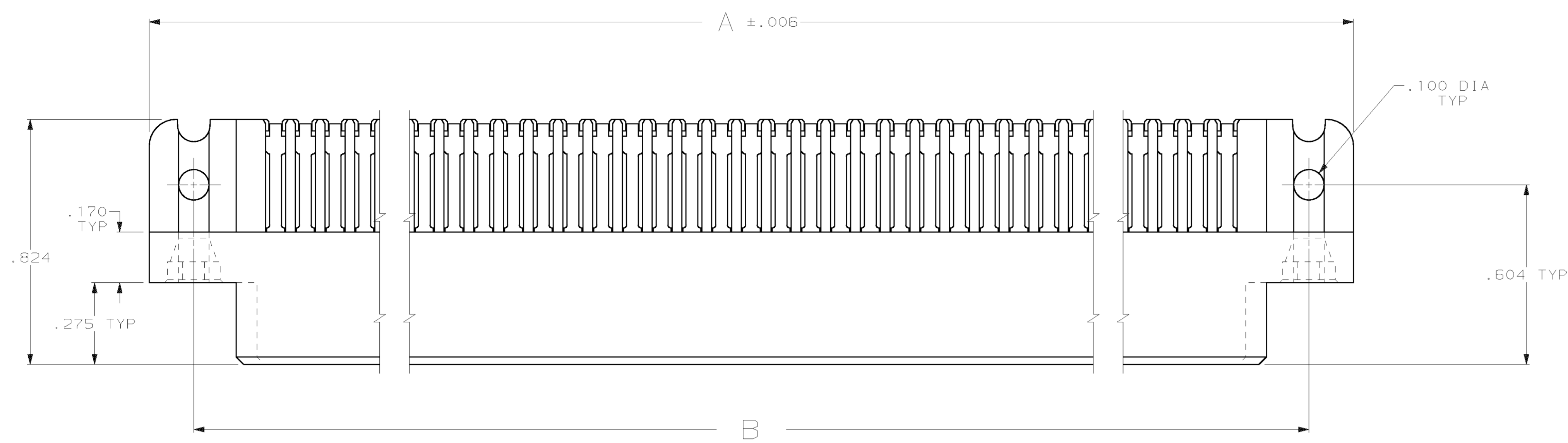
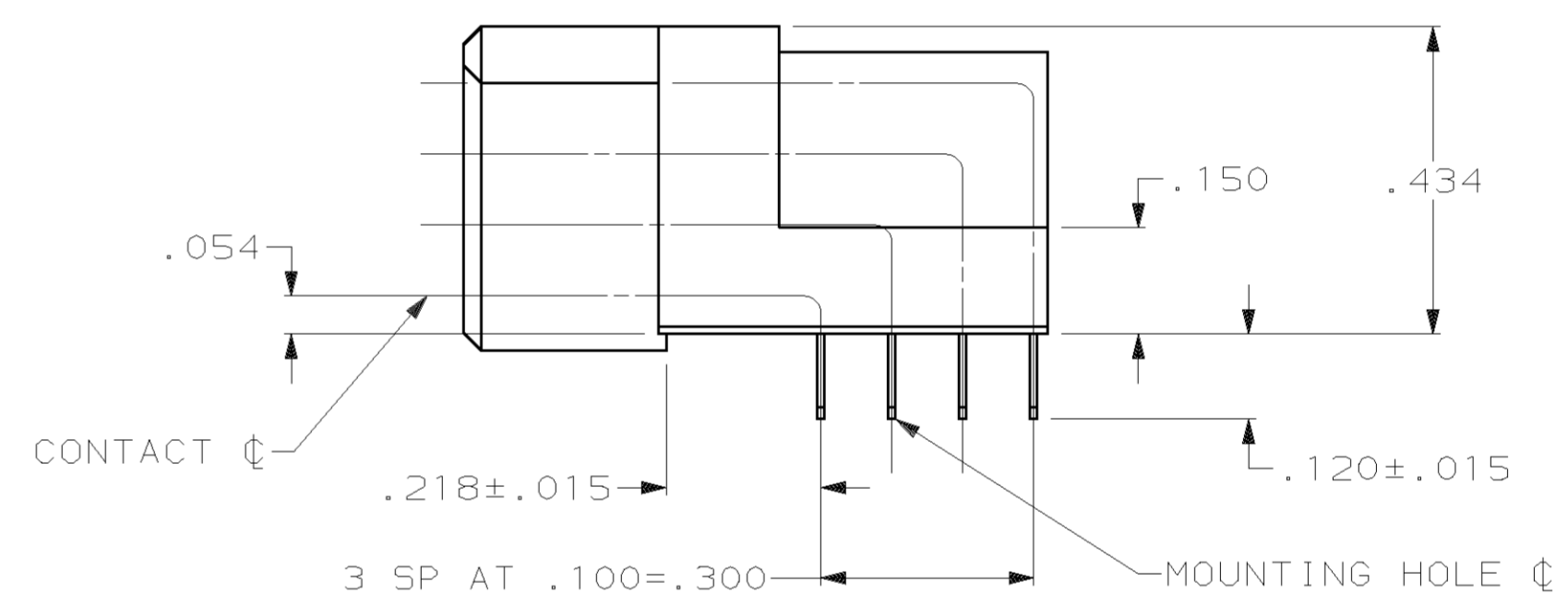
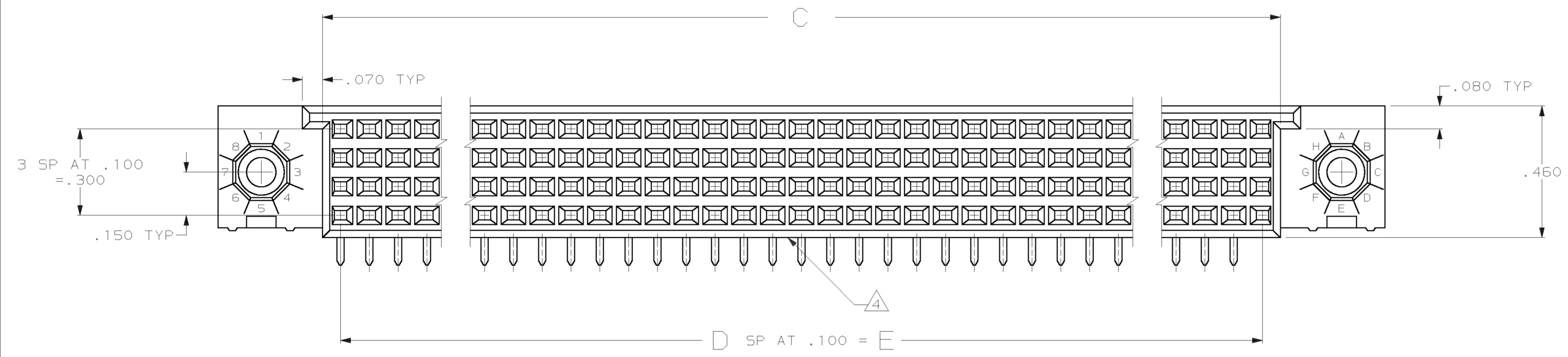


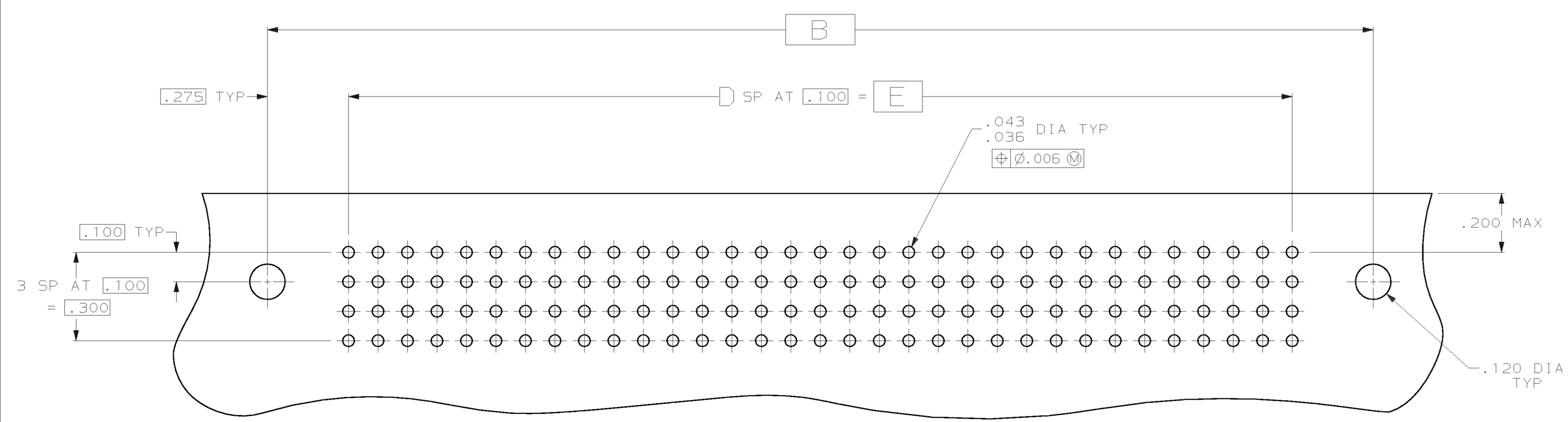
LOC	DIST	P	F	ZONE	LTR	REVISIONS	DATE	APPD
AD	00					D REDRAWN	5-23-91	-
						E ADD -20 PER PPR 90-5486-040-1	03-11-93	JW
						F REVISED PER ECN 0010-1013-93 T.S.	8-23-93	JW
						G REVISED PER ECN 0010-0841-93 T.S.	2-1-94	GS
						H ECN. 0010-0775-94 TH	9/26/94	JMR
						J REV PER EC 1256-94 T.S.	8-12-94	JW
						K ECN. 0010-1684-94 TH	11/17/94	NFS
						L PER EC 0010-0843-96 T.S.	4-9-97	JW
						M REV PER EC 001B-0199-01	14 NOV 01	WM
						N REV PER EC 0512-0068-03	10 FEB 03	WM
						P REV PER EC 0512-0464-02	09JUN03	WM



- ① HOUSING MATERIAL: THERMOPLASTIC, BLACK.
- ② CONTACT MATERIAL: COPPER ALLOY.
- ③ CONTACT FINISH: .000050-.000100 NICKEL UNDERPLATE ALL OVER WITH .000030 GOLD IN CONTACT AREA AND .000100-.000200 TIN-LEAD PLATED POSTS
- ④ MAX BOW ALLOWANCE IS .0165 INCH.



	E	D	C	B	A	NO OF POSN	PART NUMBER
OBSOLETE	.800	8	.924	1.350	1.650	36	2-534008-1
OBSOLETE	.500	5	.624	1.050	1.350	24	2-534008-0
	6.900	69	7.024	7.450	7.750	280	1-534008-8
	4.100	41	4.224	4.650	4.950	168	1-534008-7
OBSOLETE	5.400	54	5.524	5.950	6.250	220	1-534008-6
	7.000	70	7.124	7.550	7.850	284	1-534008-5
	6.400	64	6.524	6.950	7.250	260	1-534008-4
	5.900	59	6.024	6.450	6.750	240	1-534008-3
	7.400	74	7.524	7.950	8.250	300	1-534008-2
	4.900	49	5.024	5.450	5.750	200	1-534008-1
	3.900	39	4.024	4.450	4.750	160	1-534008-0
	3.400	34	3.524	3.950	4.250	140	534008-9
	3.100	31	3.224	3.650	3.950	128	534008-8
	2.900	29	3.024	3.450	3.750	120	534008-7
OBSOLETE	1.900	19	2.024	2.450	2.750	80	534008-6
OBSOLETE	1.400	14	1.524	1.950	2.250	60	534008-5
OBSOLETE	1.100	11	1.224	1.650	1.950	48	534008-4
OBSOLETE	.900	9	1.024	1.450	1.750	40	534008-3
OBSOLETE	.700	7	.824	1.250	1.550	32	534008-2
	2.400	24	2.524	2.950	3.250	100	534008-1



RECOMMENDED P.C. BOARD LAYOUT

DO NOT SCALE PRINT. UNLESS SPECIFIED DIMENSIONS IN INCHES TOLERANCES ON : 2 PLC DEC ± .005 3 PLC DEC ± .005 ANGLES ± -	DR 5-23-91 J GALLUCCI B6 CHK 12/10/91 DAVID HOFFMAN APPD 12/10/91 WAYNE MILLHIMES APPD 12/10/91 VAN WEBSTER	AMP Incorporated Harrisburg, PA 17105-3608	
MATERIAL	PRODUCT SPEC 108-1098	NAME ASSEMBLY, RECEPTACLE, TWIN BEAM CONNECTOR, 4 ROW, 2 MOUNTING HOLES, .120 POST LENGTH	
FINISH	APPLICATION SPEC	SIZE D	CAGE CODE 00779
WEIGHT 114-9008		DRAWING NO 534008	SHEET 1 OF 1