

MATERIALS AND FINISHES

BODY ZINC ALLOY
PLATED TIN

SMB BODY BRASS
PLATED NICKEL

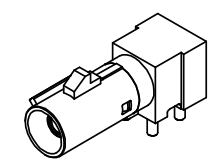
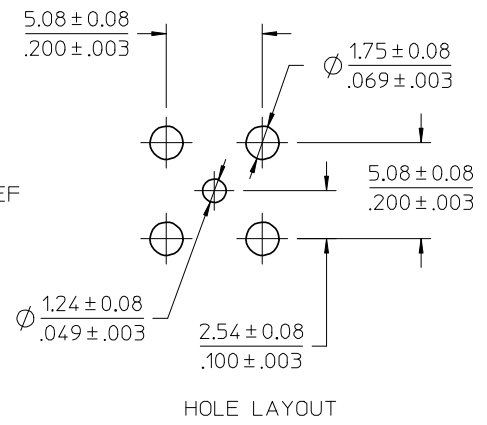
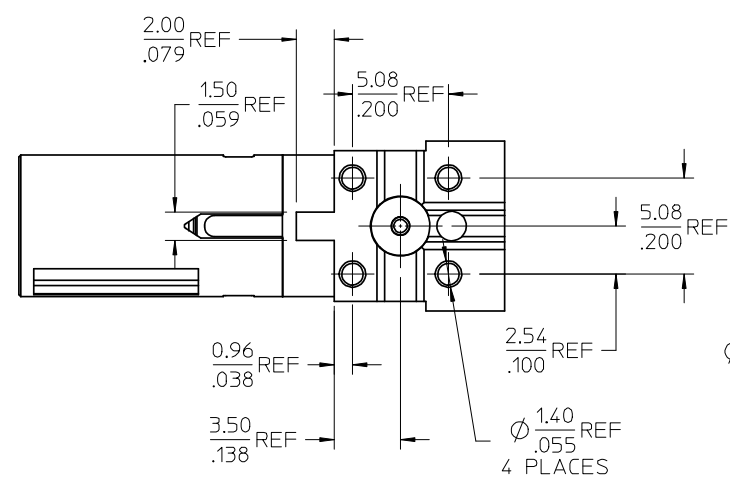
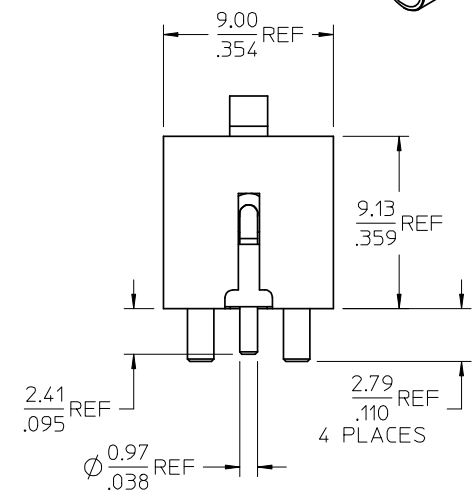
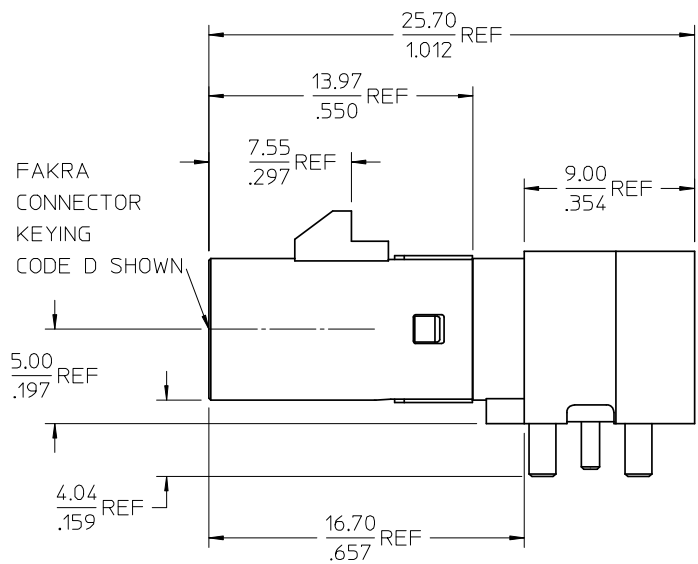
CENTER CONTACT PHOSPHOR BRONZE
PLATED GOLD

OUTER CASING HIGH TEMPERATURE PLASTIC
KEYING SEE TABLE
COLOR SEE TABLE

INSULATOR TEFLON

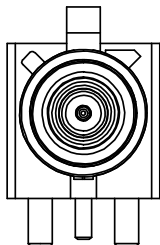
RETENTION SPECIFICATION:

THE FAKRA CONNECTOR SHROUD WILL WITHSTAND
A LONGITUDINAL FORCE OF 110 N (24.75 LBS)

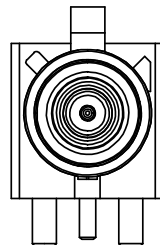


PS-89675-3310	PRODUCT SPECIFICATION
MIL-STD-348A, FIG. 311-1	INTERFACE
SPECIFICATION	DESCRIPTION

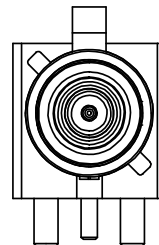
REMOVED THICKNESS OF PLATING	EC NO: URF2008-0511 DRWNSCHU CHKD: APPR:MHUANG 2008/05/09 2008/05/12 2008/05/13	DESCRIPTION	QUALITY SYMBOLS	GENERAL TOLERANCES (UNLESS SPECIFIED) 4 PLACES ± --- ± --- 3 PLACES ± --- ± --- 2 PLACES ± --- ± --- 1 PLACE ± --- ± --- ANGULAR ± 2 °	DIMENSION STYLE	SCALE	DESIGN UNITS	THIRD ANGLE PROJECTION
			▼=0		MM/IN	METRIC	TITLE SMB JACK FAKRA 50 OHMS, R/A PCB SMB-J/PCB	
			▽=0		DRAWN BY	DATE		
					CHECKED BY	DATE		
				APPROVED BY	DATE	MOLEX MOLEX INCORPORATED		
				MATERIAL NO.	DOCUMENT NO.	SHEET NO. 1 OF 2		
				DRAFT WHERE APPLICABLE MUST REMAIN WITHIN DIMENSIONS		SEE SHEET 2 SD-73404-087		
				THIS DRAWING CONTAINS INFORMATION THAT IS PROPRIETARY TO MOLEX INCORPORATED AND SHOULD NOT BE USED WITHOUT WRITTEN PERMISSION				



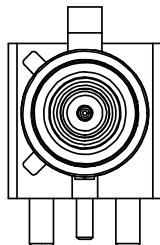
CODE - A



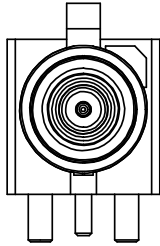
CODE - B



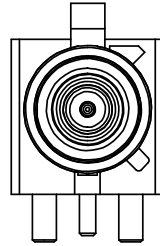
CODE - C



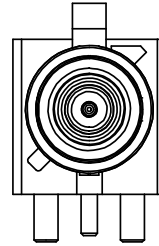
CODE - D



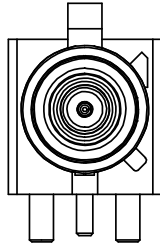
CODE - E



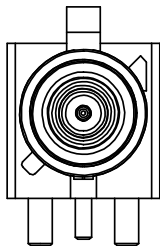
CODE - F



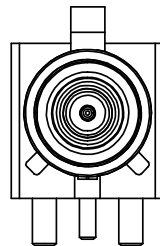
CODE - G



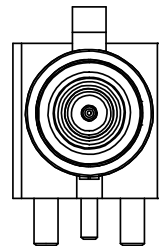
CODE - H



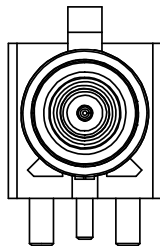
CODE - I



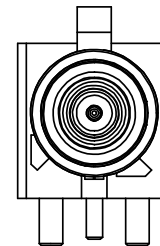
CODE - K



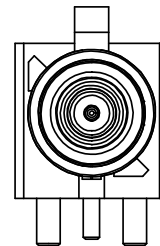
CODE - Z



CODE - L



CODE - M



CODE - N

N	PASTEL GREEN	73404-0883
M	PASTEL ORANGE	73404-0882
L	CARMINE RED	73404-0881
Z	WATER BLUE	73404-0880
K	CURRY YELLOW	73404-0879
I	BEIGE	73404-0878
H	VIOLET	73404-0877
G	GRAY	73404-0876
F	BROWN	73404-0875
E	GREEN	73404-0874
D	BORDEAUXVIOLET	73404-0873
C	BLUE	73404-0872
B	SIGNAL WHITE	73404-0871
A	BLACK	73404-0870
KEYING CODE	COLOR	PART NO.

CHG: SEE SHEET 1	2008/05/09
EC NO: URF2008-0511	2008/05/12
DRWNSCHOU	2008/05/13
CHKD:	
APPR: MHIANG	
REV	DESCRIPTION
B1	

QUALITY SYMBOLS
▽=0
▽=0

GENERAL TOLERANCES (UNLESS SPECIFIED)
4 PLACES ± --- ± ---
3 PLACES ± --- ± ---
2 PLACES ± --- ± ---
1 PLACE ± --- ± ---
ANGULAR ± 2 °
DRAFT WHERE APPLICABLE MUST REMAIN WITHIN DIMENSIONS

DIMENSION STYLE	MM/IN
DRAWN BY	DATE
SSS	2001/12/10
CHECKED BY	DATE
TEF	2001/12/10
APPROVED BY	DATE
GMH	2001/12/10
MATERIAL NO.	SEE TABLE
SIZE	C

SCALE	DESIGN UNITS	THIRD ANGLE PROJECTION
	METRIC	
TITLE		
SMB JACK FAKRA		
50 OHMS, R/A PCB		
SMB-J/PCB		
MOLEX INCORPORATED		
DOCUMENT NO.	SHEET NO.	
SD-73404-087	2 OF 2	
THIS DRAWING CONTAINS INFORMATION THAT IS PROPRIETARY TO MOLEX INCORPORATED AND SHOULD NOT BE USED WITHOUT WRITTEN PERMISSION		

MATERIALS AND FINISHES

BODY ZINC ALLOY
PLATED TIN

SMB BODY BRASS
PLATED NICKEL

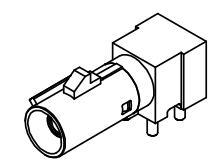
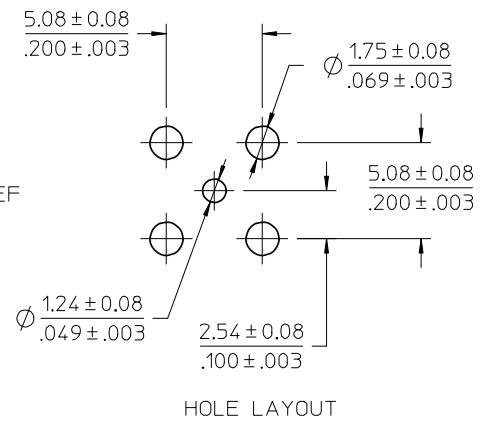
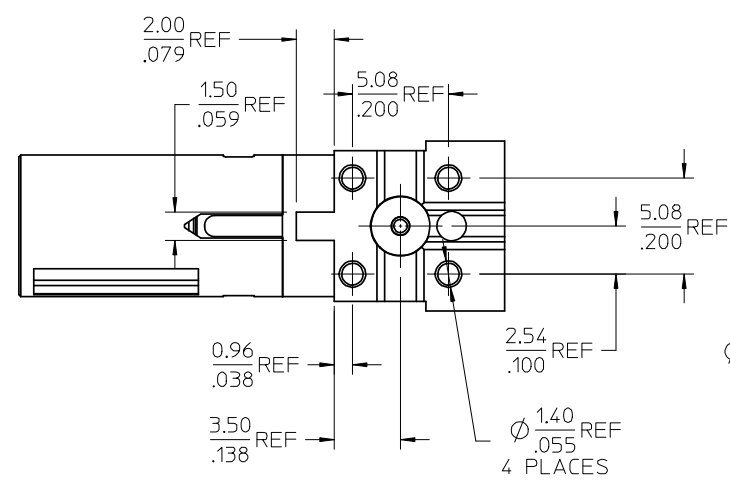
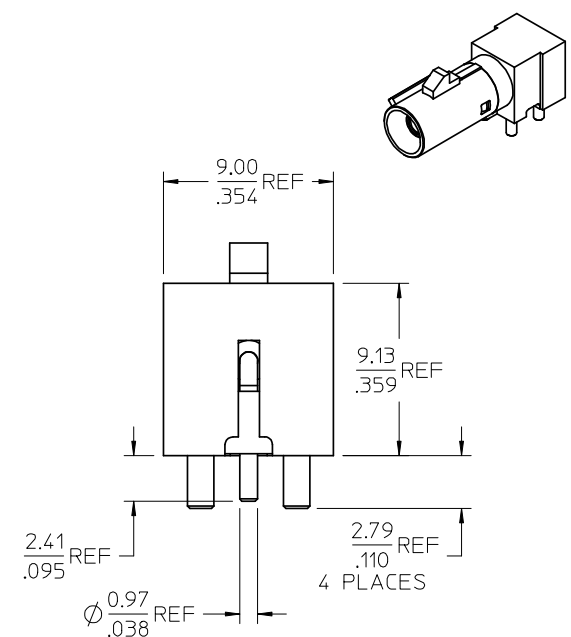
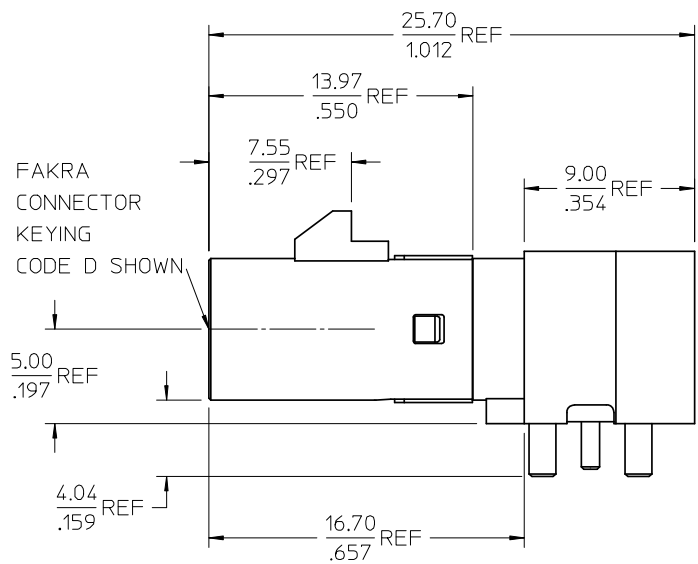
CENTER CONTACT PHOSPHOR BRONZE
PLATED GOLD

OUTER CASING HIGH TEMPERATURE PLASTIC
KEYING SEE TABLE
COLOR SEE TABLE

INSULATOR TEFLON

RETENTION SPECIFICATION:

THE FAKRA CONNECTOR SHROUD WILL WITHSTAND
A LONGITUDINAL FORCE OF 110 N (24.75 LBS)

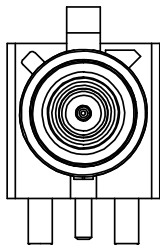


PS-89675-3310	PRODUCT SPECIFICATION
MIL-STD-348A, FIG. 311-1	INTERFACE
SPECIFICATION	DESCRIPTION

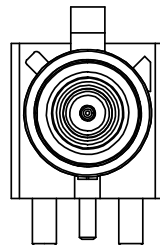
REMOVED THICKNESS OF PLATING	EC NO: URF2008-0511 DRWNSCHU CHKD: APPR:MHUANG 2008/05/09 2008/05/12 2008/05/13	DESCRIPTION	QUALITY SYMBOLS	GENERAL TOLERANCES (UNLESS SPECIFIED) 4 PLACES ± --- ± --- 3 PLACES ± --- ± --- 2 PLACES ± --- ± --- 1 PLACE ± --- ± --- ANGULAR ± 2 °	DIMENSION STYLE	SCALE	DESIGN UNITS	THIRD ANGLE PROJECTION
			▼=0		MM/IN	METRIC	SMB JACK FAKRA 50 OHMS, R/A PCB SMB-J/PCB	
			▽=0		DRAWN BY	TITLE		
			REV		DATE	DOCUMENT NO.		
B1	2008/05/13	SD-73404-087	SEE SHEET 2	SD-73404-087	MOLEX INCORPORATED	SHEET NO. 1 OF 2		

DRAFT WHERE APPLICABLE MUST REMAIN WITHIN DIMENSIONS

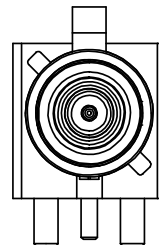
THIS DRAWING CONTAINS INFORMATION THAT IS PROPRIETARY TO MOLEX INCORPORATED AND SHOULD NOT BE USED WITHOUT WRITTEN PERMISSION



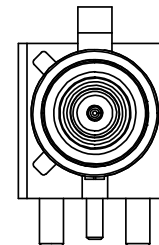
CODE - A



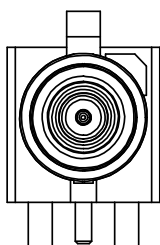
CODE - B



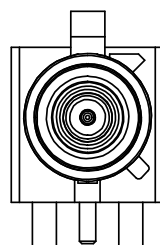
CODE - C



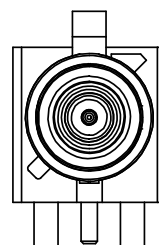
CODE - D



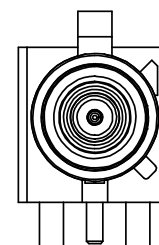
CODE - E



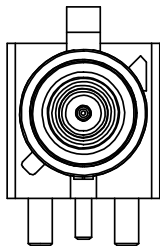
CODE - F



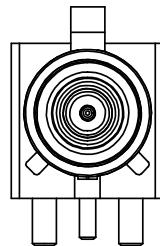
CODE - G



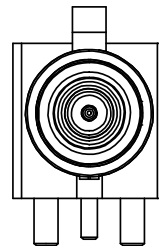
CODE - H



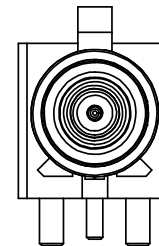
CODE - I



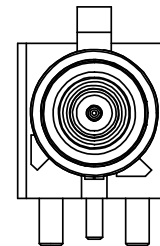
CODE - K



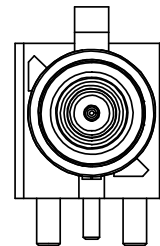
CODE - Z



CODE - L



CODE - M



CODE - N

N	PASTEL GREEN	73404-0883
M	PASTEL ORANGE	73404-0882
L	CARMINE RED	73404-0881
Z	WATER BLUE	73404-0880
K	CURRY YELLOW	73404-0879
I	BEIGE	73404-0878
H	VIOLET	73404-0877
G	GRAY	73404-0876
F	BROWN	73404-0875
E	GREEN	73404-0874
D	BORDEAUXVIOLET	73404-0873
C	BLUE	73404-0872
B	SIGNAL WHITE	73404-0871
A	BLACK	73404-0870
KEYING CODE	COLOR	PART NO.

CHG: SEE SHEET 1	2008/05/09
EC NO: URF2008-0511	2008/05/12
DRWNSCHOU	2008/05/13
CHKD:	
APPR: MHIANG	
REV	DESCRIPTION
B1	

QUALITY SYMBOLS
▽=0
▽=0

GENERAL TOLERANCES (UNLESS SPECIFIED)
4 PLACES ± --- ± ---
3 PLACES ± --- ± ---
2 PLACES ± --- ± ---
1 PLACE ± --- ± ---
ANGULAR ± 2 °
DRAFT WHERE APPLICABLE MUST REMAIN WITHIN DIMENSIONS

DIMENSION STYLE	MM/IN
DRAWN BY	DATE
SSS	2001/12/10
CHECKED BY	DATE
TEF	2001/12/10
APPROVED BY	DATE
GMH	2001/12/10
MATERIAL NO.	SEE TABLE
SIZE	C

SCALE	DESIGN UNITS	THIRD ANGLE PROJECTION
	METRIC	
TITLE		
SMB JACK FAKRA		
50 OHMS, R/A PCB		
SMB-J/PCB		
MOLEX INCORPORATED		
DOCUMENT NO.	SHEET NO.	
SD-73404-087	2 OF 2	
THIS DRAWING CONTAINS INFORMATION THAT IS PROPRIETARY TO MOLEX INCORPORATED AND SHOULD NOT BE USED WITHOUT WRITTEN PERMISSION		