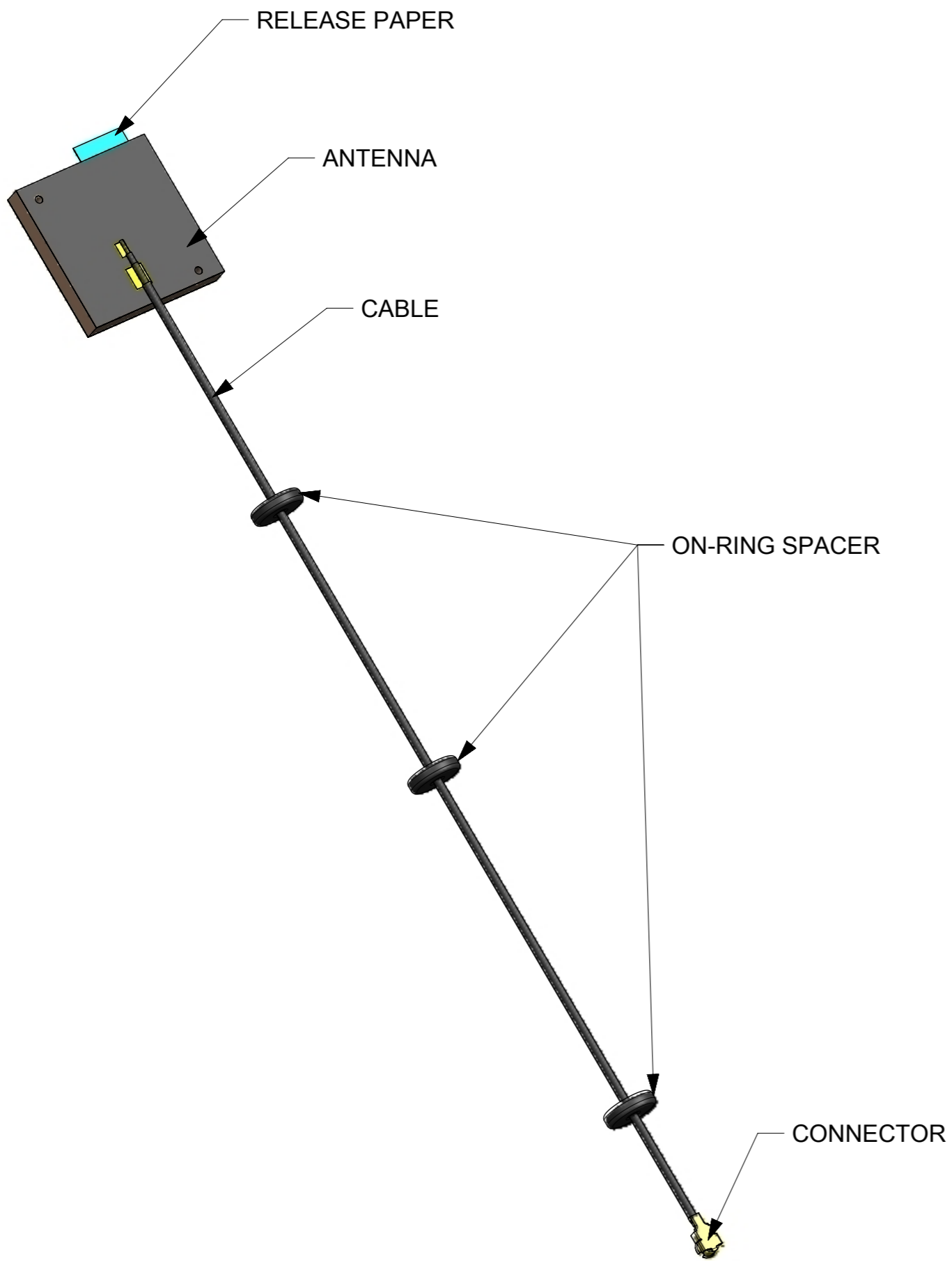


REV.	DATE	CHANGE DESCRIPTION
A	2018/08/25	NEW RELEASE
B	2019/03/01	OPTIMIZING DRAWING INFORMATION



NOTES:

1. MATERIAL:PCB 20.5*20.5*3mm
CABLE:Ø1.13mm
CONNECTOR:OD1.13 RF 2.5H CONNECTOR (PLUG GOLD PLATED)
2. SOLDER MASK COLOR:BLACK.
3. THE CONNECTOR WILL BE PROTECTED WITH A CAP.
4. APPLICATION SPEC PLEASE REFER TO AS OF 2069950150.
5. PRODUCT SPEC PLEASE REFER TO PS OF 2069950150.
6. PACKAGING DRAWING PLEASE REFER TO PK OF 2069950150.

THIS DRAWING CONTAINS INFORMATION THAT IS PROPRIETARY TO MOLEX ELECTRONIC TECHNOLOGIES, LLC AND SHOULD NOT BE USED WITHOUT WRITTEN PERMISSION									
SYMBOLS	DIMENSION UNITS	SCALE	CURRENT REV DESC:				molex		
	mm	1:1							
▽ = 0	GENERAL TOLERANCES (UNLESS SPECIFIED)		EC NO: 612121				2.4/5 GHZ PCB ANTENNA		
▽ = 0	ANGULAR TOL ± °		DRWN: KCHENG06 2019/02/15						
▽ = 0	4 PLACES ±		CHK'D: XJSONG 2019/03/04				PRODUCT CUSTOMER DRAWING		
▽ = 0	3 PLACES ±		APPR: XJSONG 2019/03/04						
▽ = 0	2 PLACES ± 0.2		INITIAL REVISION:				DOCUMENT NUMBER		
▽ = 0	1 PLACE ± 0.3		DRWN: KCHENG06 2018/08/25						
▽ = 0	0 PLACES ±		APPR: CZHOU05 2018/09/06				DOC TYPE		
□ = 0	DRAFT WHERE APPLICABLE MUST REMAIN WITHIN DIMENSIONS		THIRD ANGLE PROJECTION		DRAWING	SERIES			
▽ = 0			A3-SIZE		206995	GENERAL MARKET		PSD	B
						SHEET NUMBER		1 OF 2	

RELEASE PAPER

4.80 mm WITH SOLDER PASTE MAX
(INCLUDE PCB)

(30.00)

(70.00)

(120.00)

VERTICAL DIRECTION
SEE NOTE 3

B

20.50

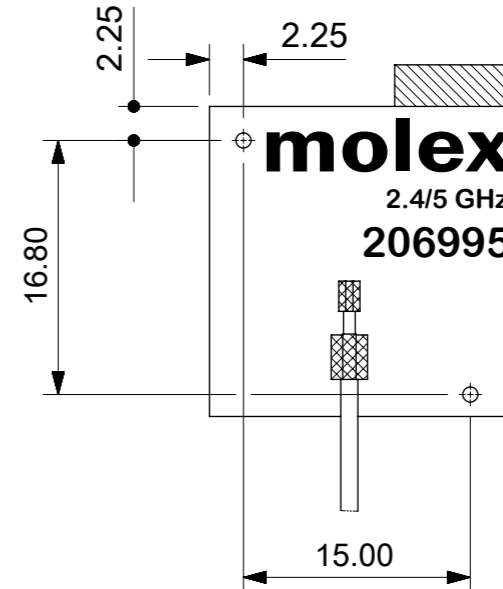
20.50

A

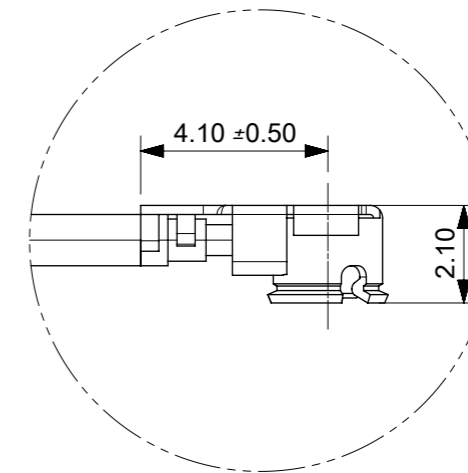
150.00 ±2.00

141.05 ±2.00

(3.00)



DETAIL A SCALE 2:1
ANTENNA



DETAIL B SCALE 6:1
CONNECTOR

NOTES:

1. 2 HOLE SIZE: $\phi 1$ mm
2. FOR PULL TEST, CAN NOT LIFT UP IN THE VERTICAL DIRECTION.
3. ON-RING SPACER SIZE: LINE DIAMETER 3mm.
4. CONNECTOR MATING RECEPTACLE I-PEX P/N:20279-001E-01.

SYMBOLS	THIS DRAWING CONTAINS INFORMATION THAT IS PROPRIETARY TO MOLEX ELECTRONIC TECHNOLOGIES, LLC AND SHOULD NOT BE USED WITHOUT WRITTEN PERMISSION		CURRENT REV DESC:			molex		
	▽ = 0	mm						
▽ = 0	GENERAL TOLERANCES (UNLESS SPECIFIED)		EC NO: 612121			2.4/5 GHZ PCB ANTENNA		
▽ = 0	ANGULAR TOL ± °		DRWN: KCHENG06 2019/02/15			PRODUCT CUSTOMER DRAWING		
▽ = 0	4 PLACES	±	CHK'D: XJSONG 2019/03/04			DOCUMENT NUMBER		
▽ = 0	3 PLACES	±	APPR: XJSONG 2019/03/04			2069950150		
▽ = 0	2 PLACES	± 0.2	INITIAL REVISION:			DOC TYPE		
▽ = 0	1 PLACE	± 0.3	DRWN: KCHENG06 2018/08/25			PSD		
▽ = 0	0 PLACES	±	APPR: CZHOU05 2018/09/06			SD		
■ = 0	DRAFT WHERE APPLICABLE MUST REMAIN WITHIN DIMENSIONS		THIRD ANGLE PROJECTION		DRAWING		SERIES	
▽ = 0			A3-SIZE		206995		REVISION	
			MATERIAL NUMBER		CUSTOMER		SHEET NUMBER	
			2069950150		GENERAL MARKET		2 OF 2	