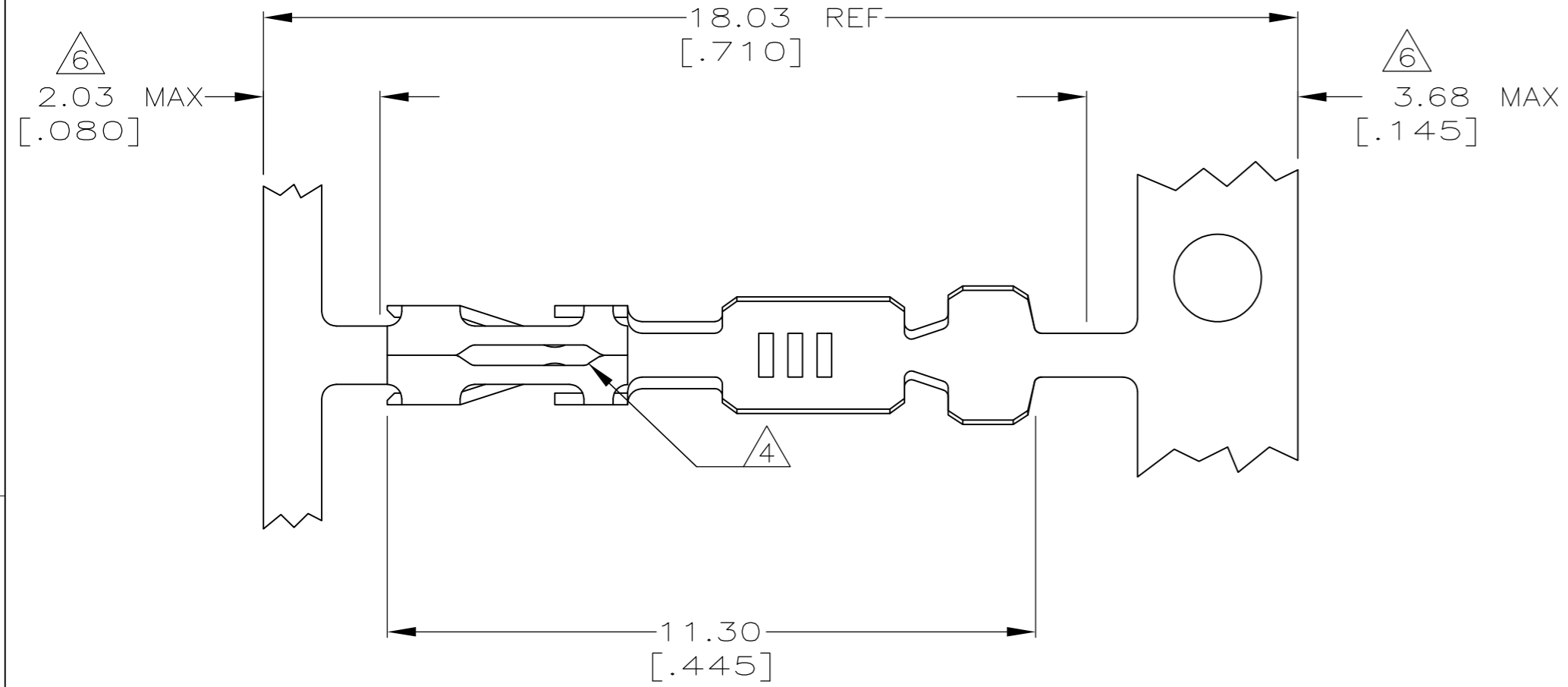
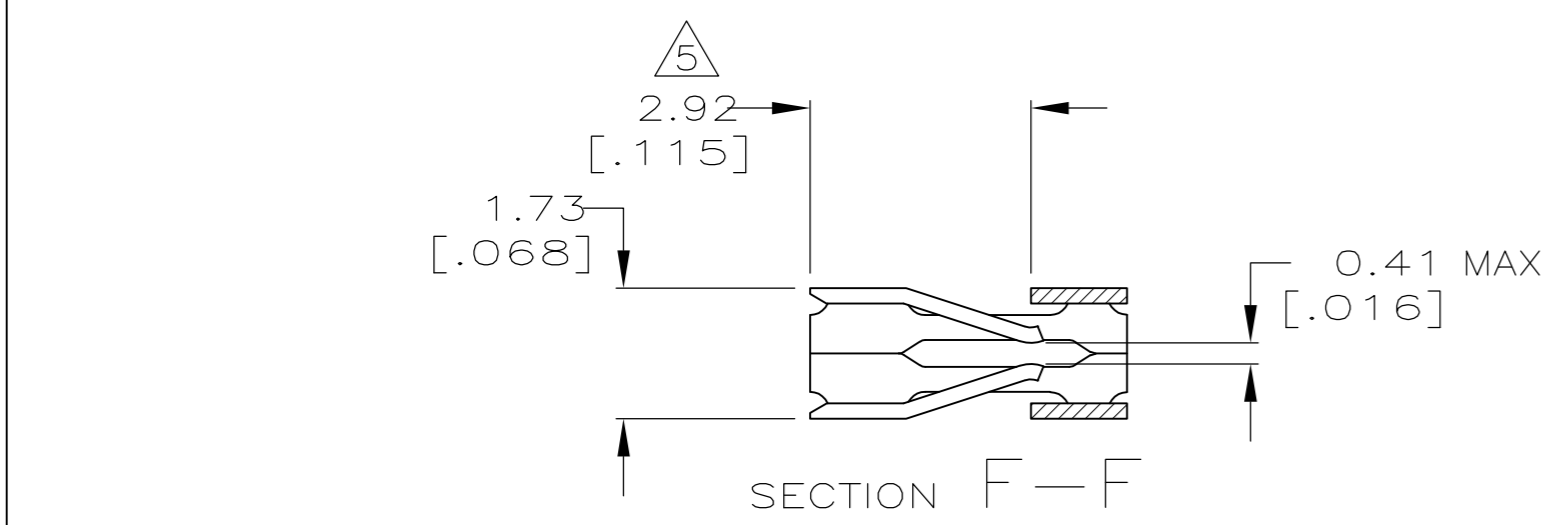
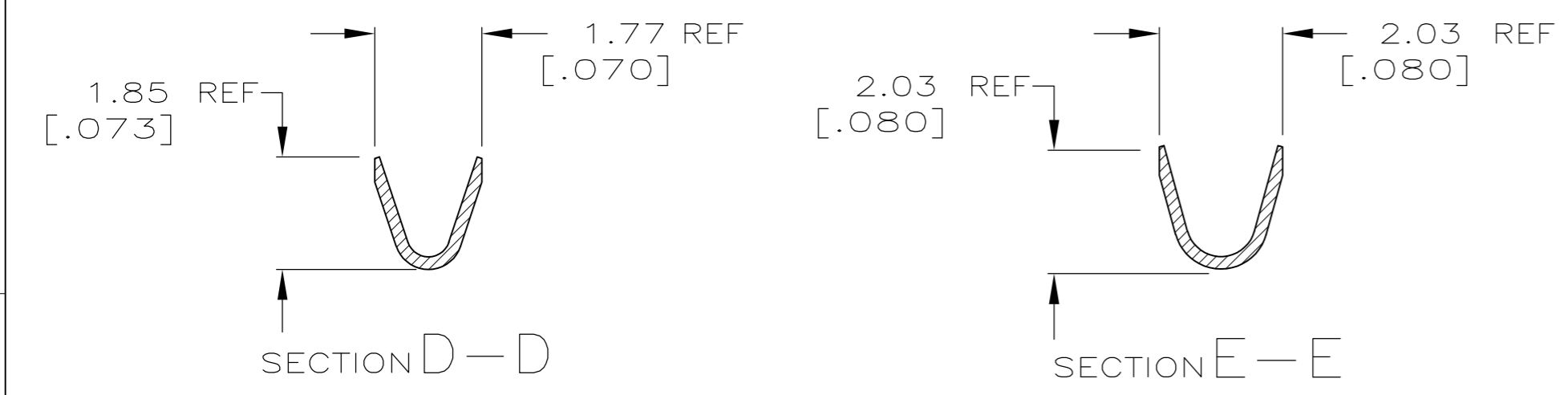
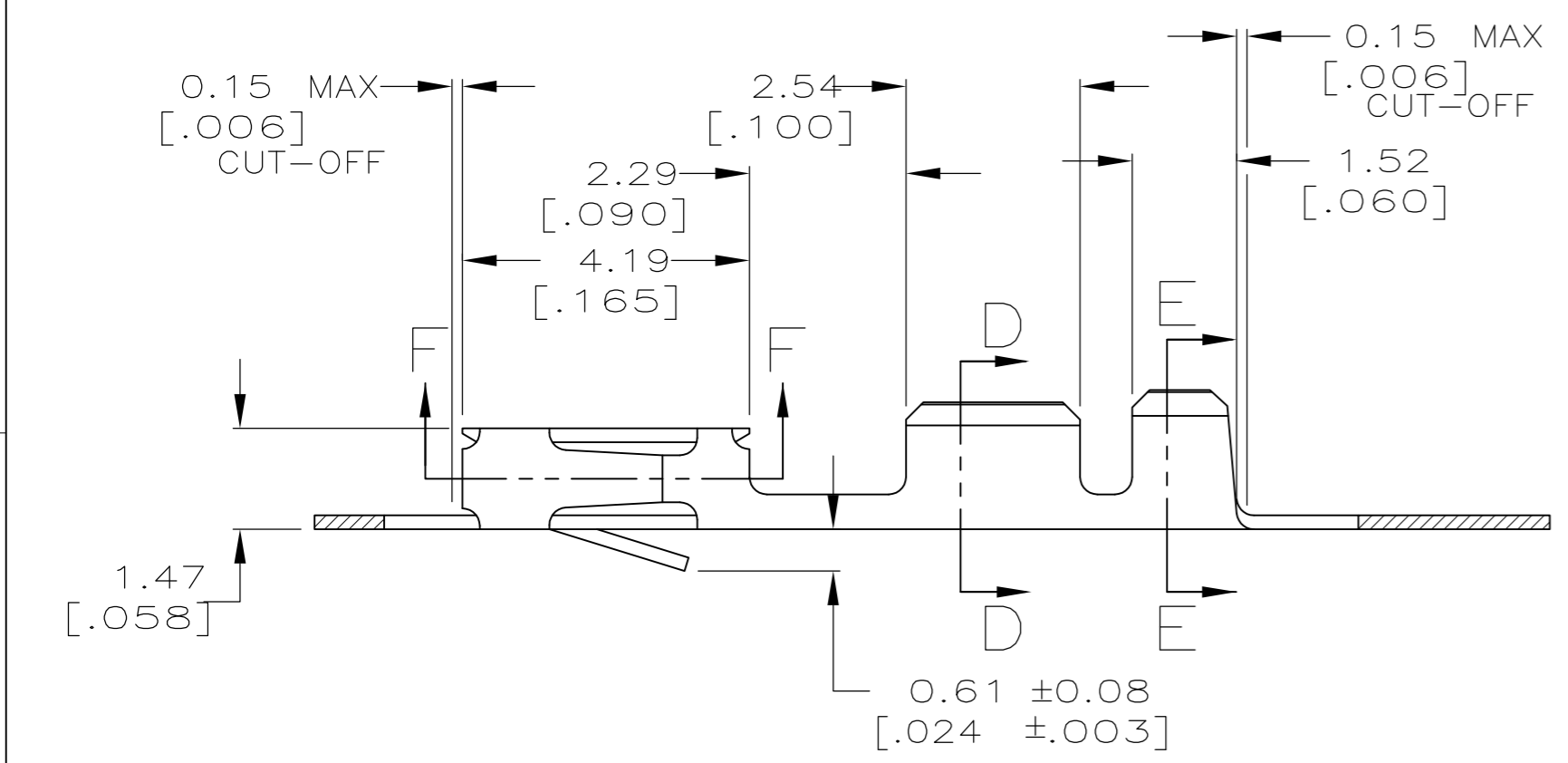


THIS DRAWING IS UNPUBLISHED. RELEASED FOR PUBLICATION
 © COPYRIGHT - By - ALL RIGHTS RESERVED.

| LOC | | DIST | | REVISIONS | | | |
|-----|-----|-------------|---------------------------|-----------|------|----|--|
| P | LTR | DESCRIPTION | DATE | DWN | APVD | | |
| AD | 39 | K | REVISED PER ECO-15-004633 | 30MAY2015 | NK | JO | |



- ① REELED FOR MINI APPLICATOR.
- ② FINISH: GOLD FLASH OVER 0.00127[.000050] NICKEL, 0.000381[.000015] GOLD IN CONTACT AREA.
- ③ FINISH: GOLD FLASH OVER 0.00127[.000050] NICKEL, 0.00076[.000030] GOLD IN CONTACT AREA.
- ④ CUT OUTS ON BOX AT MANUFACTURERS OPTION.
- ⑤ POINT OF MEASUREMENT FOR PLATING THICKNESS(INSIDE BEAMS).
- ⑥ GOLD PLATING NOT REQUIRED IN THIS AREA.
- 7 WIRE RANGE #22-#26, INSULATION RANGE ϕ .061 MAX.



| DESCRIPTION | FINISH | PART NUMBER |
|-------------|--------|-------------|
| LOOSE PC. | ③ | 102548-6 |
| ① | ③ | 102548-5 |
| LOOSE PC. | ② | 102548-3 |
| ① | ② | 102548-1 |

| | | | | |
|--|--------------|-----------------------|------------------------------------|-----------------|
| THIS DRAWING IS A CONTROLLED DOCUMENT. | | DWN S. SHUEY 5-6-92 | STE TE Connectivity | |
| DIMENSIONS: mm [INCHES] | | CHK J.GESFORD 5-20-92 | | |
| TOLERANCES UNLESS OTHERWISE SPECIFIED: | | APVD - | NAME | |
| 0 PLC | ± - | PRODUCT SPEC | CONTACT, CRIMP SNAP-IN, MOD IV 1/2 | |
| 1 PLC | ± - | APPLICATION SPEC | - | |
| 2 PLC | ± 0.13[.005] | WEIGHT | - | |
| 3 PLC | ± - | MATERIAL | - | |
| 4 PLC | ± - | FINISH | - | |
| ANGLES | ± - | WEIGHT | - | |
| SEE TABLE | | CUSTOMER DRAWING | SIZE A2 | CAGE CODE 00779 |
| | | SCALE 10:1 | DRAWING NO C=102548 | RESTRICTED TO |
| | | SHEET 1 of 1 | REV K | |