

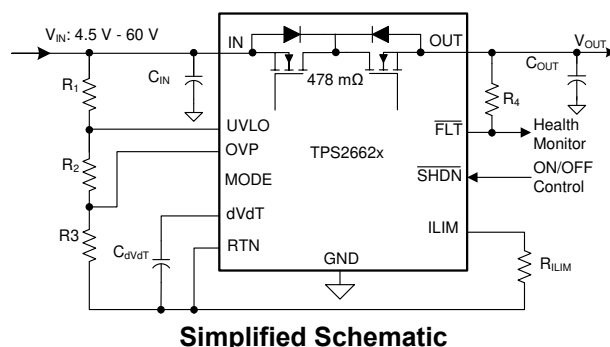
# TPS2662x 60-V, 800-mA Industrial eFuse With Integrated Input and Output Reverse Polarity Protection

## 1 Features

- 4.5-V to 60-V operating voltage, 62-V absolute maximum
- Integrated reverse input polarity protection to  $-60\text{ V}$
- Integrated reverse output polarity protection to  $-(60 - V_{IN})$  (TPS26624 and TPS26625 only)
- Integrated back to back MOSFETs with 478-m $\Omega$  total RON
- 25-mA to 880-mA adjustable current limit ( $\pm 5\%$  accuracy at 880 mA)
- Load protection during surge (IEC 61000-4-5) with minimum external components
- Electrical fast transients immunity according to IEC 61000-4-4
- Fast reverse current blocking response (0.3  $\mu\text{s}$ )
- Adjustable UVLO, OVP cut off, output slew rate control for inrush current limiting
- Fixed 38-V overvoltage clamp (TPS26622 and TPS26623 only)
- Low quiescent current, 340  $\mu\text{A}$  in operating, 12  $\mu\text{A}$  in shutdown
- Small foot print – 10L (3 mm  $\times$  3 mm) VSON
- UL 2367 recognized
  - File No. 169910
  - $R_{ILIM} \geq 7.5\text{ k}\Omega$  (0.91-A maximum )
- IEC 62368-1 certified

## 2 Applications

- PLC I/O modules
- AC and servo drives
- Sensor and controls
- Thermostat
- PoE highside protection



## 3 Description

The TPS2662x family are compact, feature rich high voltage eFuses with a full suite of protection features. The wide supply input range of 4.5 V to 60 V allows control of many popular DC bus voltages. The device can withstand and protect the loads from positive and negative supply voltages up to  $\pm 60\text{ V}$ . The TPS26624 and TPS26625 devices support both input as well as output reverse polarity protection feature. Integrated back to back FETs provide reverse current blocking feature making the device suitable for systems with output voltage holdup requirements during power fail and brownout conditions. Load, source and device protection are provided with many adjustable features including overcurrent, output slew rate and overvoltage, undervoltage thresholds. The internal robust protection control blocks along with the high voltage rating of the TPS2662x family helps to simplify the system designs for Surge protection.

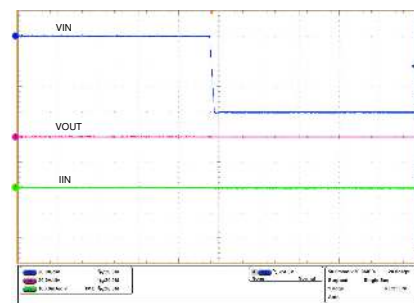
The TPS26620, TPS26622 and TPS26624 feature latch-off and TPS26621, TPS26623 and TPS26625 feature auto-retry functionality, which are the overtemperature and overcurrent fault events.

The devices are available in a 3 mm  $\times$  3 mm 10-pin SON package and are specified over a  $-40^\circ\text{C}$  to  $+125^\circ\text{C}$  temperature range.

### Device Information<sup>(1)</sup>

PART NUMBER	PACKAGE	BODY SIZE (NOM)
TPS26620	SON (10)	3.00 mm $\times$ 3.00 mm
TPS26621		
TPS26622		
TPS26623		
TPS26624		
TPS26625		

- (1) For all available packages, see the orderable addendum at the end of the data sheet.



**Reverse Input Polarity Protection at  $-60\text{-V}$  Supply**



## Table of Contents

<b>1 Features</b> .....	1	<b>10 Application and Implementation</b> .....	25
<b>2 Applications</b> .....	1	10.1 Application Information.....	25
<b>3 Description</b> .....	1	10.2 Typical Application.....	25
<b>4 Revision History</b> .....	2	10.3 System Examples.....	31
<b>5 Device Comparison Table</b> .....	4	10.4 Do's and Don'ts.....	32
<b>6 Pin Configuration and Functions</b> .....	4	<b>11 Power Supply Recommendations</b> .....	33
<b>7 Specifications</b> .....	5	11.1 Transient Protection.....	33
7.1 Absolute Maximum Ratings.....	5	<b>12 Layout</b> .....	35
7.2 ESD Ratings.....	5	12.1 Layout Guidelines.....	35
7.3 Recommended Operating Conditions.....	5	12.2 Layout Example.....	36
7.4 Thermal Information.....	6	<b>13 Device and Documentation Support</b> .....	37
7.5 Electrical Characteristics.....	6	13.1 Documentation Support.....	37
7.6 Timing Requirements.....	8	13.2 Receiving Notification of Documentation Updates.....	37
7.7 Typical Characteristics.....	9	13.3 Support Resources.....	37
<b>8 Parameter Measurement Information</b> .....	14	13.4 Trademarks.....	37
<b>9 Detailed Description</b> .....	15	13.5 Electrostatic Discharge Caution.....	37
9.1 Overview.....	15	13.6 Glossary.....	37
9.2 Functional Block Diagram.....	16	<b>14 Mechanical, Packaging, and Orderable Information</b> .....	37
9.3 Feature Description.....	16		
9.4 Device Functional Modes.....	24		

## 4 Revision History

NOTE: Page numbers for previous revisions may differ from page numbers in the current version.

Changes from Revision E (August 2019) to Revision F (December 2021)	Page
• Updated the numbering format for tables, figures and cross-references throughout the document .....	1
• Moved I <sub>SHDN</sub> from Source Current to Sink Current row in the <a href="#">Absolute Maximum Ratings</a> table.....	5
• Changed External Capacitance min from 0.1 to 0.01 in <a href="#">Recommended Operating Conditions</a> table.....	5
• Deleted OVP <sub>MAX</sub> row in <a href="#">Electrical Characteristics</a> table.....	6
• Changed I <sub>(FLT)</sub> test condition in <a href="#">Electrical Characteristics</a> table.....	6
• Deleted UVLO <sub>tREC</sub> row in <a href="#">Timing Requirements</a> table.....	8
• Updated the <a href="#">Parameter Measurement Information</a> section.....	14
• Added t <sub>CL_Dly</sub> description to <a href="#">Overvoltage Protection (OVP)</a> section.....	17
• Changed device mention to TPS2662x to include all variants in <a href="#">Input Side Reverse Polarity Protection</a> section .....	19
• Added UVLO back to the <a href="#">Overload Protection</a> section.....	20
• Added more description and clarification for the t <sub>CL(dly)</sub> parameter in the <a href="#">Overload Protection</a> section.....	20
• Added minimum voltage to <a href="#">FAULT Response</a> section.....	23

Changes from Revision D (February 2019) to Revision E (August 2019)	Page
• Changed from UL 2367 Recognition Pending to UL 2367 Recognized IEC 62368-1 Certified in the <a href="#">Features</a> section .....	1
• Replaced TPS26623 with TPS26624 for Pin No. 4 SHDN in the <a href="#">Pin Functions</a> table.....	4
• Added UVLO Recovery Time in the Timing Requirements table in the <a href="#">Specifications</a> section.....	5
• Changed Input voltage range MAX from 60 V to 62 V in the <a href="#">Absolute Maximum Ratings</a> table in the <a href="#">Specifications</a> section.....	5
• Changed Input voltage MAX from 57 V to 60 V in the <a href="#">Recommended Operating Conditions</a> table in the <a href="#">Specifications</a> section.....	5
• Updated the <a href="#">Parameter Measurement Information</a> graph to explain the UVLO <sub>tREC</sub> .....	14
• Updated the <a href="#">Feature Description Undervoltage Lockout (UVLO)</a> section to explain the UVLO <sub>tREC</sub> timer.....	16
• Updated the <a href="#">Feature Description Undervoltage Lockout (UVLO)</a> section .....	16
• Removed UVLO from the <a href="#">Overload Protection</a> section .....	20

---

<b>Changes from Revision C (July 2018) to Revision D (February 2019)</b>	<b>Page</b>
• Changed SHDN pin voltage MAX from 4 V to 6 V in the <i>Recommended Operating Conditions</i> table in the <a href="#">Specifications</a> section .....	<b>5</b>

---

<b>Changes from Revision B (April 2018) to Revision C (July 2018)</b>	<b>Page</b>
• Changed status from Advanced Information to Production Data .....	<b>1</b>

---

<b>Changes from Revision A (March 2018) to Revision B (April 2018)</b>	<b>Page</b>
• Changed Repinse to Response in the <i>Device Comparison</i> table header .....	<b>4</b>

---

<b>Changes from Revision * (October 2017) to Revision A (March 2018)</b>	<b>Page</b>
• Changed from one page to full data sheet .....	<b>1</b>

---

## 5 Device Comparison Table

PART NUMBER	OVERVOLTAGE PROTECTION	OVERLOAD and THERMAL FAULT RESPONSE	REVERSE POLARITY PROTECTION
TPS26620	Overvoltage cut-off, adjustable	Latch Off	Input side
TPS26621	Overvoltage cut-off, adjustable	Auto-Retry	Input side
TPS26622	Overvoltage clamp, fixed (38 V)	Latch Off	Input side
TPS26623	Overvoltage clamp, fixed (38 V)	Auto-Retry	Input side
TPS26624	Overvoltage cut-off, adjustable	Latch Off	Input and Output side
TPS26625	Overvoltage cut-off, adjustable	Auto-Retry	Input and Output side

## 6 Pin Configuration and Functions

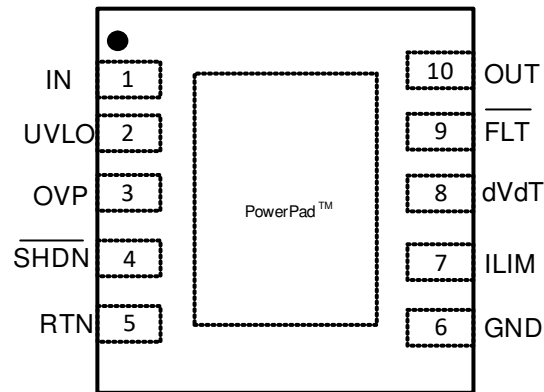


Figure 6-1. DRC Package 10-Pin VSON Top View

Table 6-1. Pin Functions

PIN		TYPE	DESCRIPTION
NO.	NAME		
1	IN	Power	Input supply voltage
2	UVLO	I	Resistor programmable undervoltage lockout threshold setting input. An undervoltage event opens the internal FET. If the Undervoltage Lock Out function is not needed, the UVLO terminal must be connected to the IN terminal with at least a 1-MΩ resistor. UVLO pin is 5-V rated and this resistor limits the UVLO pin current to < 60 μA.
3	OVP	I	Resistor programmable overvoltage protection threshold. An overvoltage event opens internal FET. In TPS26620, TPS26621, TPS26624, TPS26625 devices, if overvoltage protection feature is not to be used then connect OVP terminal to RTN. For overvoltage clamp response (TPS26622 and TPS26623 only) connect OVP to RTN externally.
4	SHDN	I	Shutdown pin. Pulling the pin low makes the device to enter into low power shutdown mode. Cycling SHDN low and then back high resets the device that has latched off (TPS26620, TPS26622, TPS26624 only) due to a fault condition.
5	RTN	–	Reference ground for all internal voltages
6	GND	–	System ground
7	ILIM	I/O	A resistor from this pin to RTN sets the overload and short-circuit current limit. See the <a href="#">Overload and Short Circuit Protection</a> section.
8	dVdT	I/O	A capacitor from this pin to RTN sets output voltage slew rate. See the <a href="#">Hot Plug-In and In-Rush Current Control</a> section.
9	FLT	O	Fault event indicator. This pin is an open drain output. If unused, leave floating.
10	OUT	Power	Output voltage
–	PowerPAD™	–	Connect PowerPAD to RTN plane for heat sinking. Do not use PowerPAD as the only electrical connection to RTN.

## 7 Specifications

### 7.1 Absolute Maximum Ratings

over operating free-air temperature range, all voltages referred to GND (unless otherwise noted)<sup>(1)</sup>

		MIN	MAX	UNIT
Input voltage range	IN, IN–OUT	–60	62	V
	OUT (TPS26624 and TPS26625 Only)	–(60–V <sub>IN</sub> )	62	
	IN, IN–OUT (10 ms transient), T <sub>A</sub> = 25 °C	–70	70	
	[IN, OUT, FLT, SHDN] to RTN	–0.3	62	
	[UVLO, OVP, dVdT, ILIM] to RTN	–0.3	5	
	RTN	–60	0.3	
Sink current	I <sub>FLT</sub> , I <sub>dVdT</sub>		10	mA
Source current	I <sub>dVdT</sub> , I <sub>ILIM</sub> , I <sub>SHDN</sub>	Internally limited		
Operating junction temperature	T <sub>J</sub>	–40	150	°C
Transient junction temperature		–65	T <sub>(TSD)</sub>	°C
Storage temperature	T <sub>stg</sub>	–65	150	°C

- (1) Stresses beyond those listed under Absolute Maximum Ratings may cause permanent damage to the device. These are stress ratings only, which do not imply functional operation of the device at these or any other conditions beyond those indicated under Recommended Operating Conditions. Exposure to absolute-maximum-rated conditions for extended periods may affect device reliability.

### 7.2 ESD Ratings

			VALUE	UNIT
V <sub>(ESD)</sub>	Electrostatic discharge	Human body model (HBM), per ANSI/ESDA/JEDEC JS-001, all pins <sup>(1)</sup>	±1500	V
		Charged device model (CDM), per JEDEC specification JESD22-C101, all pins <sup>(2)</sup>	±500	

- (1) JEDEC document JEP155 states that 500-V HBM allows safe manufacturing with a standard ESD control process.  
(2) JEDEC document JEP157 states that 250-V CDM allows safe manufacturing with a standard ESD control process.

### 7.3 Recommended Operating Conditions

over operating free-air temperature range (unless otherwise noted)

		MIN	NOM	MAX	UNIT
IN	Input voltage	4.5		60	V
OUT, FLT	Input voltage	0		60	V
UVLO, OVP, dVdT, ILIM	Input voltage	0		4	V
SHDN	Input voltage	0		6	V
ILIM	Resistance	7.5		267	kΩ
IN, OUT	External capacitance	0.01			μF
dVdT		6.8			nF
T <sub>J</sub>	Operating junction temperature	–40	25	125	°C

## 7.4 Thermal Information

THERMAL METRIC <sup>(1)</sup>		TPS2662	UNIT
		DRC (VSON)	
		10 PINS	
R <sub>θJA</sub>	Junction-to-ambient thermal resistance	44.8	°C/W
R <sub>θJC(top)</sub>	Junction-to-case (top) thermal resistance	39.5	°C/W
R <sub>θJB</sub>	Junction-to-board thermal resistance	20.7	°C/W
Ψ <sub>JT</sub>	Junction-to-top characterization parameter	0.5	°C/W
Ψ <sub>JB</sub>	Junction-to-board characterization parameter	20.7	°C/W
R <sub>θJC(bot)</sub>	Junction-to-case (bottom) thermal resistance	3.4	°C/W

(1) For more information about traditional and new thermal metrics, see the [Semiconductor and IC Package Thermal Metrics](#) application report.

## 7.5 Electrical Characteristics

–40°C ≤ T<sub>A</sub> = T<sub>J</sub> ≤ +125°C, V<sub>(IN)</sub> = 24 V, V<sub>(SHDN)</sub> = 2 V, R<sub>(ILIM)</sub> = 267 kΩ, FLT = OPEN, C<sub>(OUT)</sub> = 1 μF, C<sub>(dVdT)</sub> = OPEN. (All voltages referenced to GND, (unless otherwise noted))

PARAMETER		TEST CONDITIONS	MIN	TYP	MAX	UNIT
<b>SUPPLY VOLTAGE</b>						
V <sub>(IN)</sub>	Operating input voltage		4.5		60	V
V <sub>(PORR)</sub>	Internal POR threshold, rising		3.54	3.73	4.2	V
V <sub>(PORHys)</sub>	Internal POR hysteresis			110		mV
I <sub>Q(ON)</sub>	Supply current	Enabled: V <sub>(SHDN)</sub> = 2 V		343	482	μA
I <sub>Q(OFF)</sub>		V <sub>(SHDN)</sub> = 0 V		11.5	25	μA
I <sub>(VINR)</sub>	Reverse Input supply current	V <sub>(IN)</sub> = –24 V, V <sub>(OUT)</sub> = 0 V		50	130	μA
V <sub>(OVC)</sub>	Over voltage clamp	V <sub>(IN)</sub> > 40 V, I <sub>LOAD</sub> = 10 mA, TPS26622, TPS26623 Only	36	37.5	40	V
<b>UNDERVOLTAGE LOCKOUT (UVLO) INPUT</b>						
V <sub>(UVLOR)</sub>	UVLO threshold voltage, rising		1.18	1.2	1.23	V
V <sub>(UVLOF)</sub>	UVLO threshold, Falling		1.09	1.1	1.135	V
I <sub>(UVLO)</sub>	UVLO Input Leakage Current	0 V ≤ V <sub>(UVLO)</sub> ≤ 3.5 V	–100	0	100	nA
I <sub>(UVLO)</sub>	UVLO Input Leakage Current	V <sub>(UVLO)</sub> = 5 V		18.8	38	μA
<b>OVER VOLTAGE PROTECTION (OVP) INPUT</b>						
V <sub>(OVPR)</sub>	Overvoltage threshold voltage, rising		1.18	1.2	1.23	V
V <sub>(OVPF)</sub>	Overvoltage threshold, falling		1.09	1.12	1.135	V
I <sub>(OVP)</sub>	OVP Input Leakage Current	0 V ≤ V <sub>(OVP)</sub> ≤ 5 V	–100	0	100	nA
<b>LOW IQ SHUTDOWN (SHDN) INPUT</b>						
V <sub>(SHDN)</sub>	Output voltage	I <sub>(SHDN)</sub> = 0.1 μA	2.39	2.781	3.1	V
V <sub>(SHUTF)</sub>	SHDN Threshold Voltage for Low IQ Shutdown, Falling		0.9			V
V <sub>(SHUTR)</sub>	SHDN Threshold, rising				1.8	V
I <sub>(SHDN)</sub>	Input current	V <sub>(SHDN)</sub> = 0.4 V	–10	–2.4		μA
<b>OUTPUT RAMP CONTROL (dVdT)</b>						
I <sub>(dVdT)</sub>	dVdT Charging Current	V <sub>(dVdT)</sub> = 0V	1.68	1.98	2.33	μA
R <sub>(dVdT)</sub>	dVdT Discharging Resistance	V <sub>(SHDN)</sub> = 0 V, with I <sub>(dVdT)</sub> = 10mA sinking		13.1	22	Ω
V <sub>(dVdTmax)</sub>	dVdT Max Capacitor Voltage		4	4.34	4.75	V
GAIN <sub>(dVdT)</sub>	dVdT to OUT Gain	V <sub>(OUT)</sub> /V <sub>(dVdT)</sub>	23.9	24.6	25.2	V/V
<b>CURRENT LIMIT PROGRAMMING (ILIM)</b>						

## 7.5 Electrical Characteristics (continued)

$-40^{\circ}\text{C} \leq T_A = T_J \leq +125^{\circ}\text{C}$ ,  $V_{(IN)} = 24\text{ V}$ ,  $V_{(SHDN)} = 2\text{ V}$ ,  $R_{(ILIM)} = 267\text{ k}\Omega$ ,  $\overline{\text{FLT}} = \text{OPEN}$ ,  $C_{(OUT)} = 1\text{ }\mu\text{F}$ ,  $C_{(dvdT)} = \text{OPEN}$ . (All voltages referenced to GND, (unless otherwise noted))

PARAMETER		TEST CONDITIONS	MIN	TYP	MAX	UNIT
$V_{(ILIM)}$	ILIM bias voltage			1		V
$I_{(OL)}$	Overload Current Limit	$R_{(ILIM)} = 267\text{ k}\Omega$ , $V_{(IN)} - V_{(OUT)} = 1\text{ V}$	0.02	0.025	0.032	A
		$R_{(ILIM)} = 44.2\text{ k}\Omega$ , $V_{(IN)} - V_{(OUT)} = 1\text{ V}$	0.145	0.152	0.159	
		$R_{(ILIM)} = 26.7\text{ k}\Omega$ , $V_{(IN)} - V_{(OUT)} = 1\text{ V}$	0.237	0.25	0.257	
		$R_{(ILIM)} = 13.3\text{ k}\Omega$ , $V_{(IN)} - V_{(OUT)} = 1\text{ V}$	0.47	0.5	0.52	
		$R_{(ILIM)} = 8.25\text{ k}\Omega$ , $V_{(IN)} - V_{(OUT)} = 1\text{ V}$	0.757	0.8	0.827	
		$R_{(ILIM)} = 7.5\text{ k}\Omega$ , $V_{(IN)} - V_{(OUT)} = 1\text{ V}$	0.83	0.88	0.91	
$I_{(OL\_R-OPEN)}$		$R_{(ILIM)} = \text{OPEN}$ , Open Resistor Current Limit (single point failure test: UL60950)	8	15.5	27	mA
$I_{(OL\_R-SHORT)}$		$R_{(ILIM)} = \text{SHORT}$ , Shorted Resistor Current Limit (single point failure test: UL60950)	31	39.3	51	mA
$I_{(SCL)}$	Short-Circuit Current Limit	$R_{(ILIM)} = 7.5\text{ k}\Omega$ , $V_{(IN)} - V_{(OUT)} = 24\text{ V}$		0.885		A
$I_{(FAST-TRIP)}$	Fast-Trip Comparator Threshold			1.6		A
<b>PASS FET OUTPUT (OUT)</b>						
$R_{ON}$		$0.025\text{ A} \leq I_{(OUT)} \leq 0.8\text{ A}$ , $T_J = 25^{\circ}\text{C}$ , $R_{(ILIM)} = 7.5\text{ k}\Omega$	435	478	521	m $\Omega$
		$0.025\text{ A} \leq I_{(OUT)} \leq 0.8\text{ A}$ , $T_J = 85^{\circ}\text{C}$ , $R_{(ILIM)} = 7.5\text{ k}\Omega$		626	685	
		$0.025\text{ A} \leq I_{(OUT)} \leq 0.8\text{ A}$ , $-40^{\circ}\text{C} \leq T_J \leq 125^{\circ}\text{C}$ , $R_{(ILIM)} = 7.5\text{ k}\Omega$	250	478	800	
$I_{(kg)(OUT)}$	OUT Leakage Current in Off State	$V_{(IN)} = 57\text{ V}$ , $V_{(SHDN)} = 0\text{ V}$ , $V_{(OUT)} = 0\text{ V}$ , Sourcing		4.38	12	$\mu\text{A}$
		$V_{(IN)} = 0\text{ V}$ , $V_{(SHDN)} = 0\text{ V}$ , $V_{(OUT)} = 24\text{ V}$ , Sinking		7.27	102	
		$V_{(IN)} = -57\text{ V}$ , $V_{(SHDN)} = 0\text{ V}$ , $V_{(OUT)} = 0\text{ V}$ , Sinking			168	
	OUT leakage current under output reverse polarity condition	$V_{(IN)} = 24\text{ V}$ , $V_{(OUT)} = -24\text{ V}$ , $V_{(SHDN)} = 2\text{ V}$ , TP26624, TPS26625 Only		450		
$V_{(REVTH)}$	$V_{(IN)} - V_{(OUT)}$ threshold for reverse protection comparator, falling		-71	-54	-40	mV
$V_{(FWDTH)}$	$V_{(IN)} - V_{(OUT)}$ threshold for reverse protection comparator, rising		1.4	15	30	mV
<b>FAULT FLAG (FLT): ACTIVE LOW</b>						
$R_{(FLT)}$	FLT Pull-Down Resistance	$V_{(OVP)} = 2\text{ V}$ , $I_{(FLT)} = 5\text{ mA}$ sinking	45	82.3	145	$\Omega$
$I_{(FLT)}$	FLT Input Leakage Current	$0\text{ V} \leq V_{(FLT)} \leq 60\text{ V}$	-100	0	100	nA
<b>THERMAL SHUT DOWN (TSD)</b>						
$T_{(TSD)}$	TSD Threshold, rising			155		$^{\circ}\text{C}$
$T_{(TSDhyst)}$	TSD Hysteresis			10		$^{\circ}\text{C}$
	Thermal Fault (Latch or Auto-Retry)	TPS26620, TPS26622, TPS26624		Latch		
		TPS26621, TPS26623, TPS26625		Auto-retry		

## 7.6 Timing Requirements

–40°C ≤ T<sub>A</sub> = T<sub>J</sub> ≤ +125°C, V<sub>(IN)</sub> = 24 V, V<sub>(SHDN)</sub> = 2 V, R<sub>(ILIM)</sub> = 267 kΩ, FLT = OPEN, C<sub>(OUT)</sub> = 1 μF, C<sub>(dVdT)</sub> = OPEN. (All voltages referenced to GND, (unless otherwise noted))

PARAMETER		TEST CONDITIONS	MIN	NOM	MAX	UNIT
<b>IN and UVLO INPUT</b>						
UVLO_t <sub>ON(dly)</sub>	UVLO Turnon Delay	UVLO ↑ (100 mV above V <sub>(UVLOR)</sub> ) to V <sub>(OUT)</sub> = 100 mV, C <sub>(dVdT)</sub> = Open		51		μs
		UVLO ↑ (100 mV above V <sub>(UVLOR)</sub> ) to V <sub>(OUT)</sub> = 100 mV, C <sub>(dVdT)</sub> > 4.7 nF, [C <sub>(dVdT)</sub> in nF]		51 + 27.4 x C <sub>(dVdT)</sub>		μs
UVLO_t <sub>off(dly)</sub>	UVLO Turnoff delay	UVLO ↓ (100 mV below V <sub>(UVLOF)</sub> ) to FLT ↓		6.14		μs
<b>SHUTDOWN CONTROL INPUT (SHDN)</b>						
t <sub>SD(dly)</sub>	SHUTDOWN exit delay	SHDN ↑ to V <sub>(OUT)</sub> = 100 mV, C <sub>(dVdT)</sub> = Open		156		μs
		SHDN ↑ to V <sub>(OUT)</sub> = 100 mV, C <sub>(dVdT)</sub> > 4.7 nF, [C <sub>(dVdT)</sub> in nF]		156 + 27.4 x C <sub>(dVdT)</sub>		μs
	SHUTDOWN entry delay	SHDN ↓ (below SHUTF) to FLT ↓		6.83		μs
<b>OVER VOLTAGE PROTECTION INPUT (OVP)</b>						
t <sub>OVP(dly)</sub>	OVP Exit delay	OVP ↓ (20 mV below V <sub>(OVPR)</sub> ) to V <sub>(OUT)</sub> = 100 mV, TPS26620/21/24/25 Only		77		μs
	OVP Disable delay	OVP ↑ (20 mV above V <sub>(OVPR)</sub> ) to FLT ↓, TPS26620/21/24/25 Only		4.84		μs
<b>CURRENT LIMIT</b>						
t <sub>CL(dly)</sub>	Maximum duration in current limit	I <sub>(ILIM)</sub> < I <sub>(OUT)</sub> < I <sub>(FAST-TRIP)</sub> , V <sub>(IN)</sub> – V <sub>(OUT)</sub> < 2.6 V		512		ms
t <sub>FAST-TRIP(dly)</sub>	Fast-Trip Comparator Delay	I <sub>(OUT)</sub> > I <sub>(FAST-TRIP)</sub> , V <sub>(IN)</sub> – V <sub>(OUT)</sub> = 2 V		1.5		μs
		I <sub>(OUT)</sub> > I <sub>(FAST-TRIP)</sub> , 4.5 V < V <sub>(IN)</sub> ≤ 6 V, V <sub>(IN)</sub> – V <sub>(OUT)</sub> ≥ 2.6 V		1.4		μs
		I <sub>(OUT)</sub> > I <sub>(FAST-TRIP)</sub> , 6 V < V <sub>(IN)</sub> ≤ 57 V, V <sub>(IN)</sub> – V <sub>(OUT)</sub> ≥ 2.6 V		220		ns
<b>REVERSE PROTECTION COMPARATOR</b>						
t <sub>REV(dly)</sub>	Reverse Protection Comparator Delay	(V <sub>(IN)</sub> – V <sub>(OUT)</sub> ) ↓ (10 mV overdrive below V <sub>(REVTH)</sub> ) to internal FET turn OFF		15		μs
		(V <sub>(IN)</sub> – V <sub>(OUT)</sub> ) ↓ (1 V overdrive below V <sub>(REVTH)</sub> ) to internal FET turn OFF		3.71		
		(V <sub>(IN)</sub> – V <sub>(OUT)</sub> ) ≤ – 2.6 V to internal FET turn OFF		0.31		
		(V <sub>(IN)</sub> – V <sub>(OUT)</sub> ) ↓ (150 mV overdrive below V <sub>(REVTH)</sub> ) to FLT ↓		45		
t <sub>FWD(dly)</sub>		(V <sub>(IN)</sub> – V <sub>(OUT)</sub> ) ↑ (100 mV overdrive above V <sub>(FWDTH)</sub> ) to FLT ↑		63		
<b>THERMAL SHUTDOWN</b>						
Retry Delay in TSD				512		ms
<b>OUTPUT RAMP CONTROL (dVdT)</b>						
t <sub>dVdT</sub>	Output Ramp Time	SHDN ↑ to V <sub>(OUT)</sub> = 23.9 V, with C <sub>(dVdT)</sub> = 22 nF		11		ms
		SHDN ↑ to V <sub>(OUT)</sub> = 23.9 V, with C <sub>(dVdT)</sub> = open		0.664		
<b>FAULT FLAG (FLT)</b>						
t <sub>PGOODF</sub>	PGOOD Delay	Falling edge		875		μs
t <sub>PGOODR</sub>		Rising edge, C <sub>(dVdT)</sub> = Open		1.4		ms
		Rising edge, C <sub>(dVdT)</sub> > 4.7 nF, [C <sub>(dVdT)</sub> in nF]		750 + 573 x C <sub>(dVdT)</sub>		μs



## 7.7 Typical Characteristics

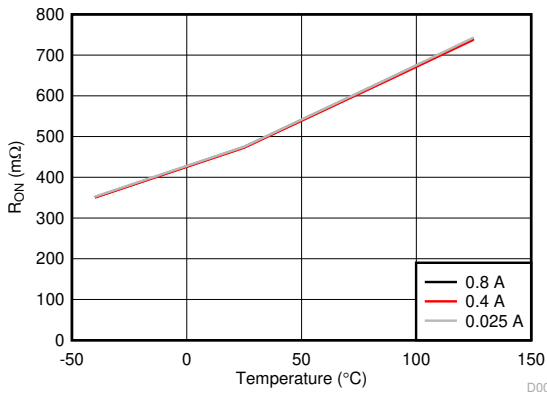


Figure 7-1. On-Resistance vs Temperature Across Load Current

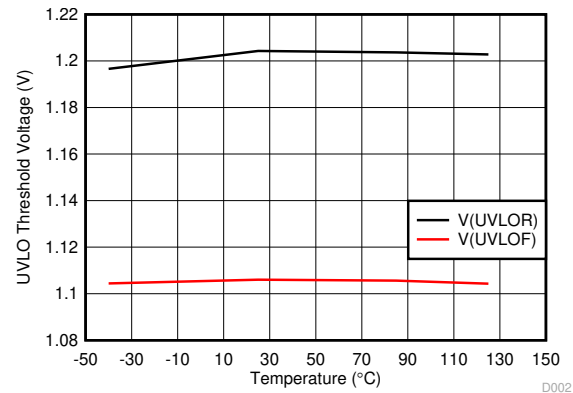


Figure 7-2. UVLO Threshold Voltage vs Temperature

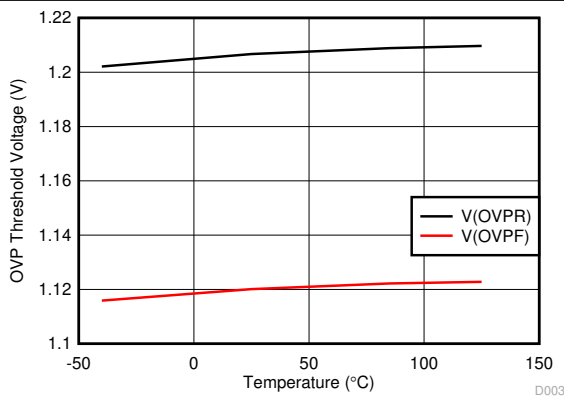


Figure 7-3. OVP Threshold Voltage vs Temperature

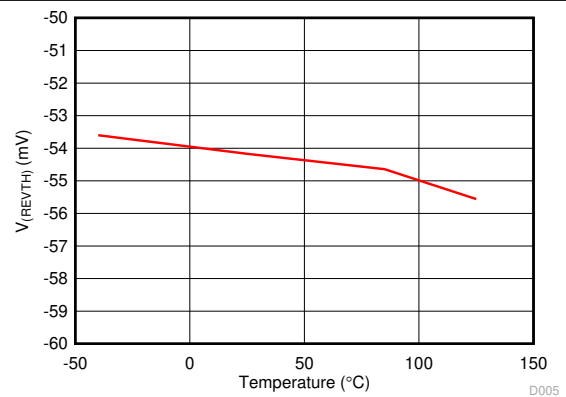


Figure 7-4. Reverse Voltage Threshold vs Temperature

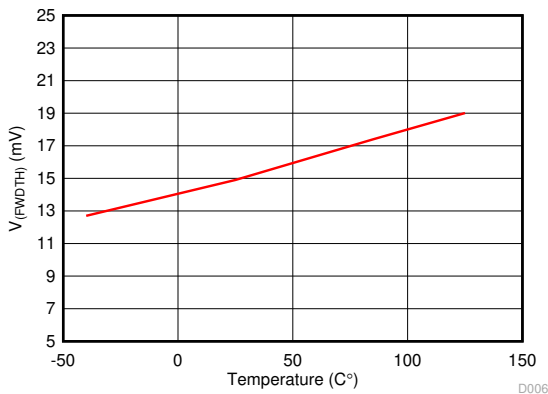


Figure 7-5.  $V_{(FWDTH)}$  vs Temperature

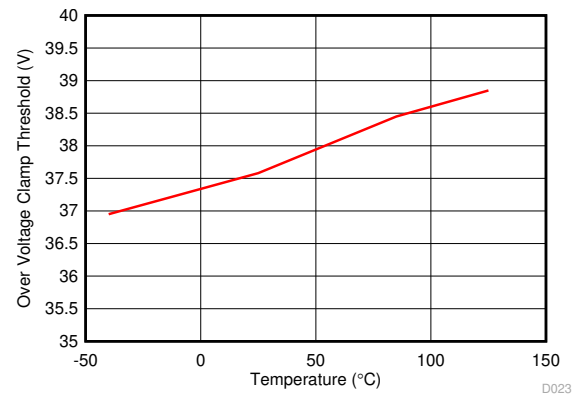


Figure 7-6. Overvoltage Clamp Threshold vs Temperature

### 7.7 Typical Characteristics (continued)

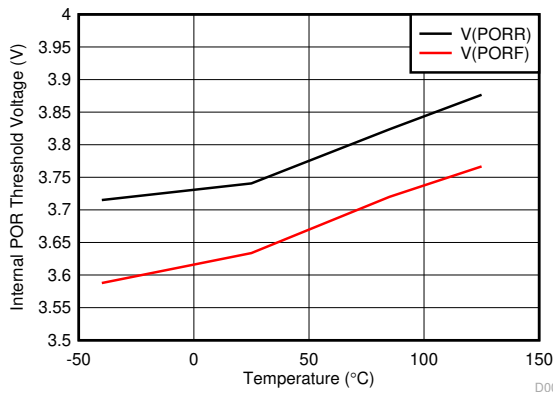


Figure 7-7. Internal POR Threshold Voltage vs Temperature

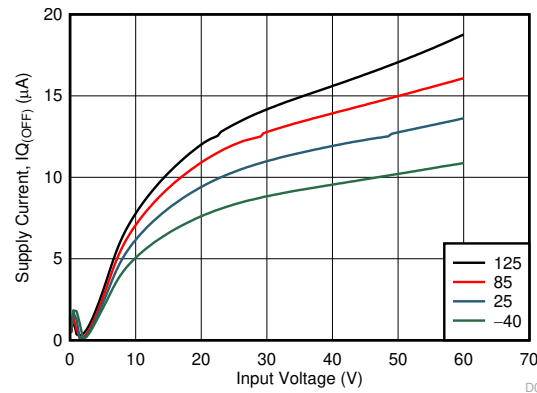


Figure 7-8. Input Supply Current vs Supply Voltage in Shutdown

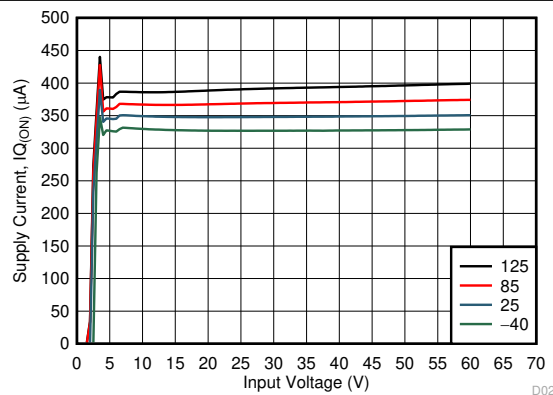
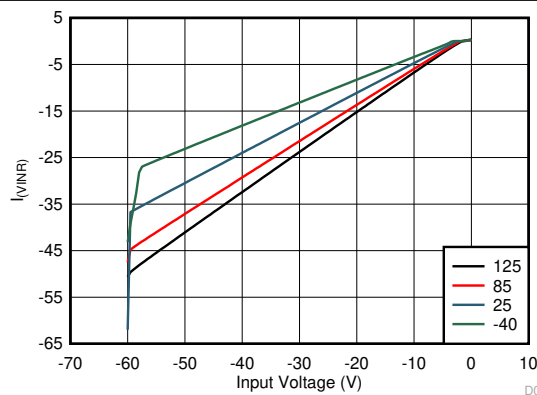


Figure 7-9. Input Supply Current vs Supply Voltage During Normal Operation



$V_{(OUT)} = 0\text{ V}$

Figure 7-10. Input Supply Current vs Reverse Supply Voltage,  $-V_{(IN)}$

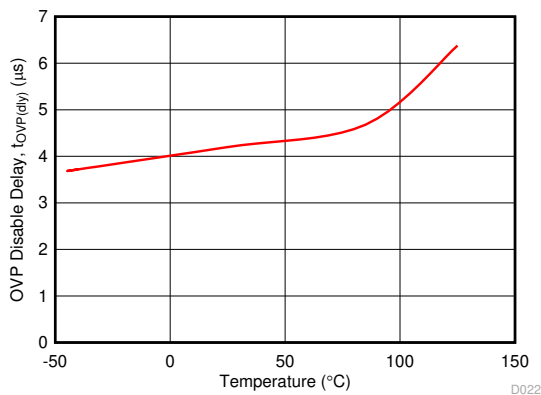


Figure 7-11. OVP Disable Delay vs Temperature

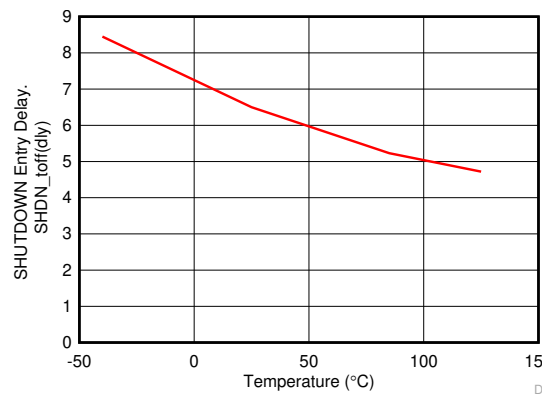
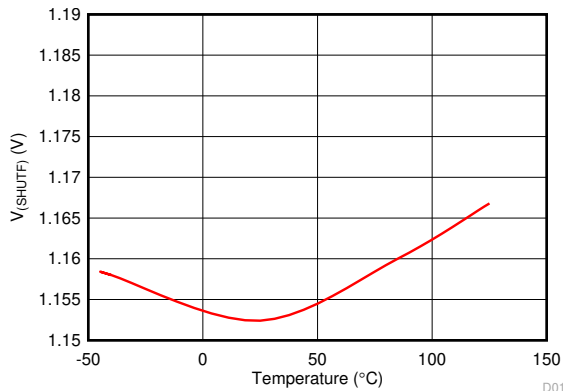
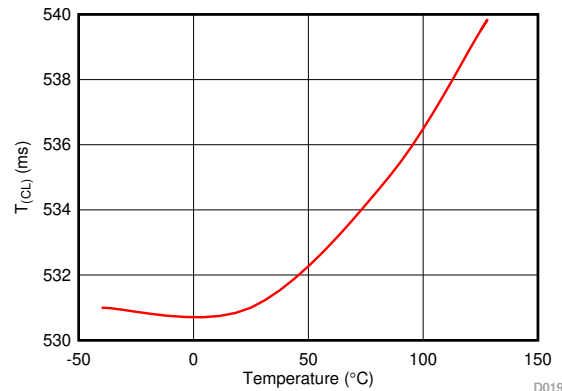


Figure 7-12. Shutdown Entry Delay vs Temperature

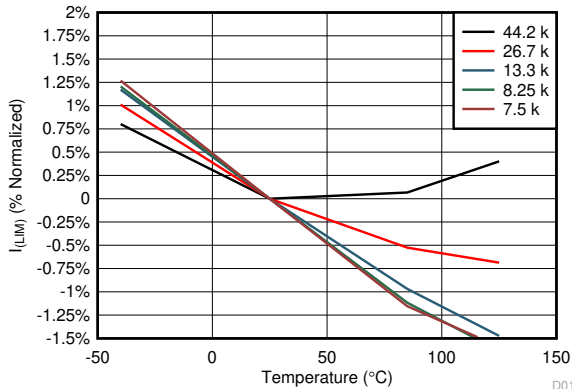
### 7.7 Typical Characteristics (continued)



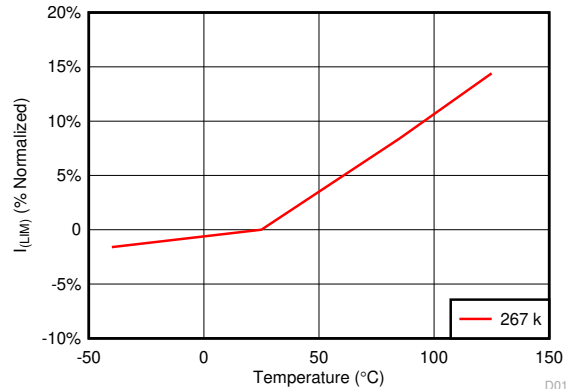
**Figure 7-13. Shutdown Threshold Voltage Shutdown vs Temperature**



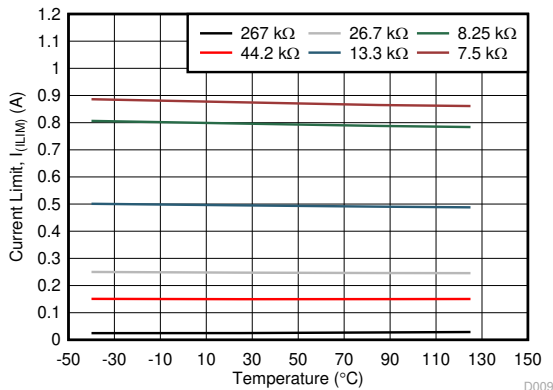
**Figure 7-14. Max Duration in Current Limiting  $t_{(CL)}$  vs Temperature**



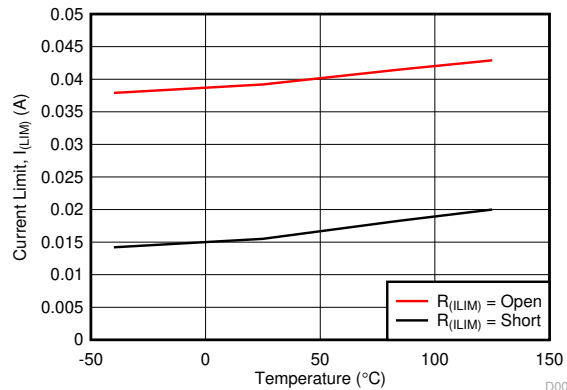
**Figure 7-15. Current Limit (% Normalized) vs Temperature**



**Figure 7-16. Current Limit (% Normalized) vs Temperature**



**Figure 7-17. Over Load Current Limit vs Temperature**



**Figure 7-18. Current Limit for  $R_{(ILIM)}$  = Open and Short vs Temperature**

### 7.7 Typical Characteristics (continued)

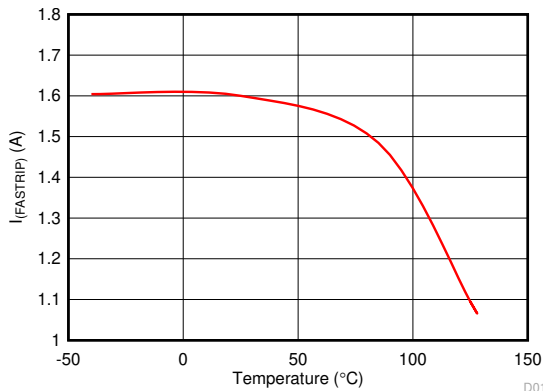


Figure 7-19. Fast-Trip Comparator Threshold  $I_{(FAST-TRIP)}$  vs Temperature Threshold

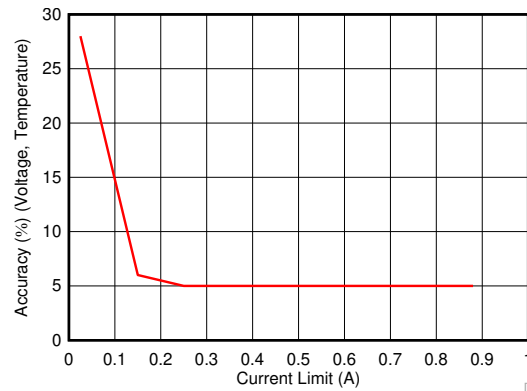


Figure 7-20. Current Limit Accuracy vs Current Limit,  $I_{(OL)}$

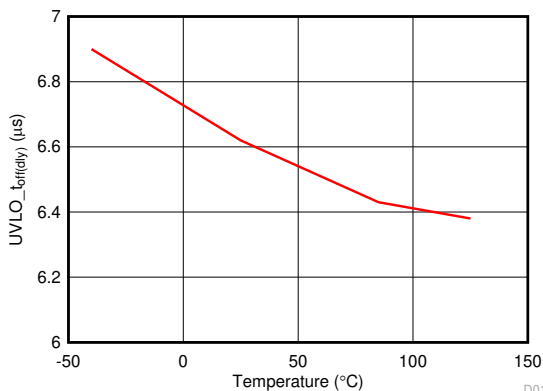


Figure 7-21. UVLO Turnoff Delay vs Temperature

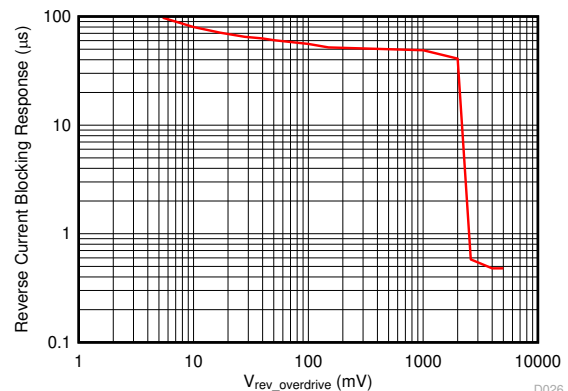
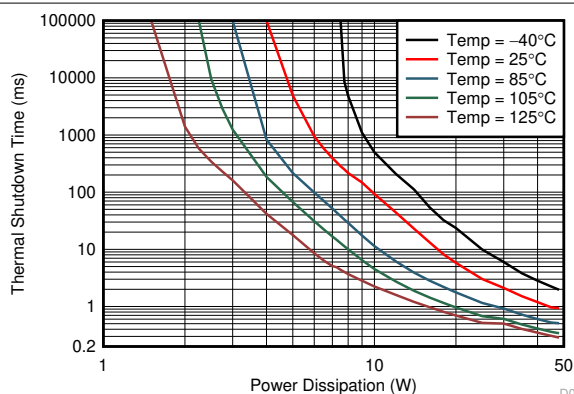
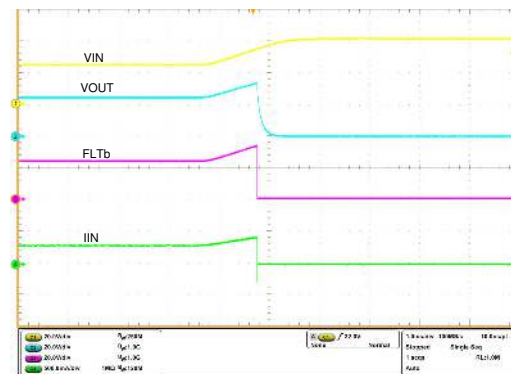


Figure 7-22. Reverse Current Blocking Response Time vs Reverse Comparator Overdrive Voltage



Taken on 2-Layer board, 2 oz.(0.08-mm thick) with RTN plane area: 0.8 cm<sup>2</sup> (Top) and 4.5 cm<sup>2</sup> (Bottom)

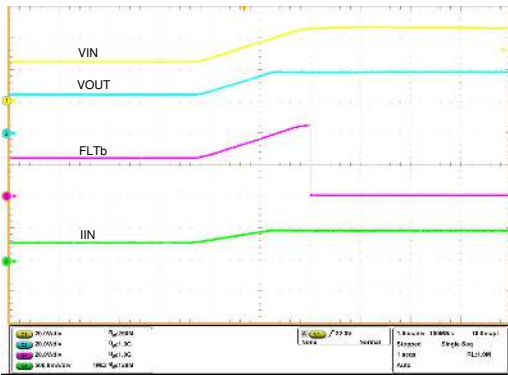
Figure 7-23. Thermal Shutdown Time vs Power Dissipation



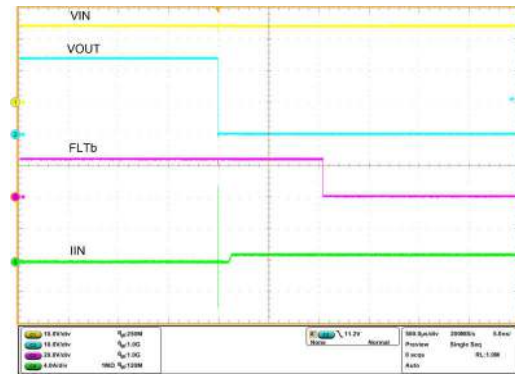
$R_{(LIM)} = 7.5 \text{ k}\Omega$        $R_{(FLTb)} = 100 \text{ k}\Omega$        $R_{(LOAD)} = 80 \Omega$   
OVP setting at 33 V

Figure 7-24. OVP Overtolerance Cut-Off Response

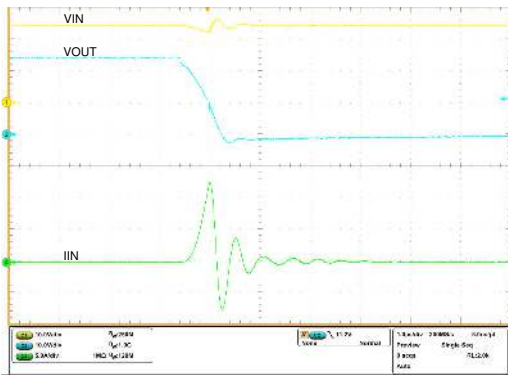
### 7.7 Typical Characteristics (continued)



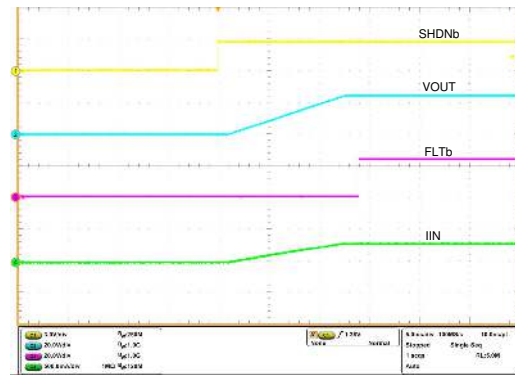
$R_{ILIM} = 7.5\text{ k}\Omega$      $R_{FLTb} = 100\text{ k}\Omega$      $R_{LOAD} = 80\ \Omega$   
**Figure 7-25. OV Clamp Response (TPS26602 Only)**



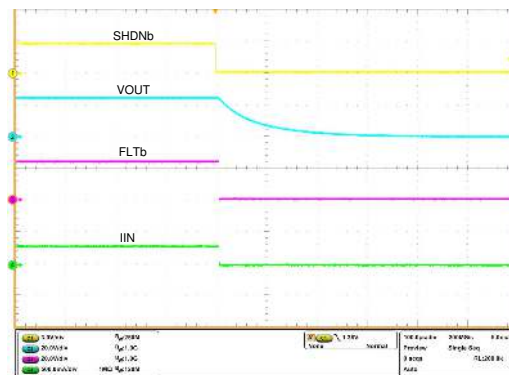
$R_{ILIM} = 7.5\text{ k}\Omega$      $R_{FLTb} = 100\text{ k}\Omega$   
**Figure 7-26. Hot-Short: Fast-Trip Response and Current Regulation**



$R_{ILIM} = 7.5\text{ k}\Omega$   
**Figure 7-27. Hot-Short: Fast-Trip Response (Zoomed)**



$R_{ILIM} = 7.5\text{ k}\Omega$      $R_{FLTb} = 100\text{ k}\Omega$      $R_{LOAD} = 80\ \Omega$   
**Figure 7-28. Turnon Control With  $\overline{\text{SHDN}}$**



$R_{ILIM} = 7.5\text{ k}\Omega$      $R_{FLTb} = 100\text{ k}\Omega$      $R_{LOAD} = 80\ \Omega$   
**Figure 7-29. Turnoff Control With  $\overline{\text{SHDN}}$**

## 8 Parameter Measurement Information

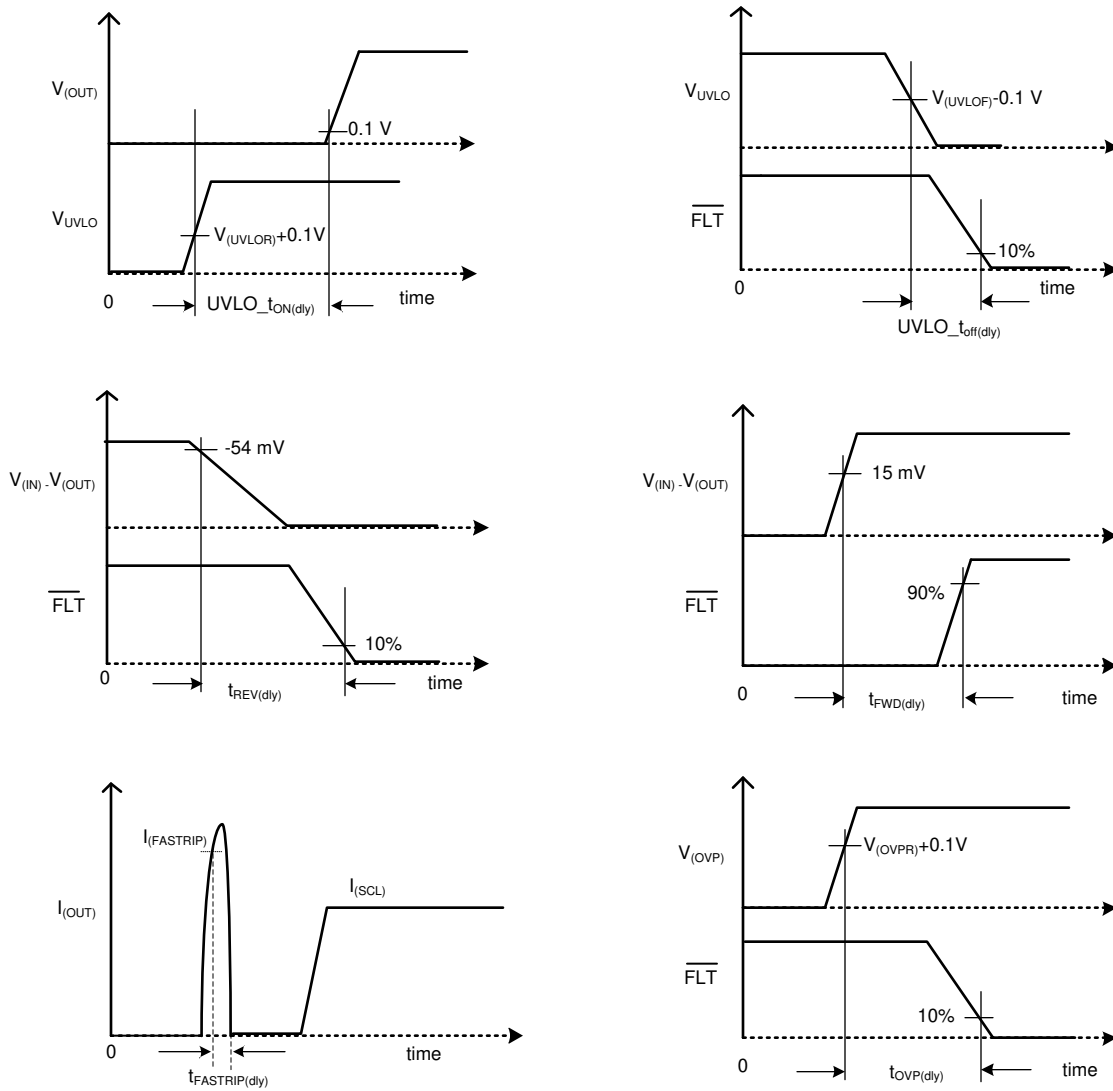


Figure 8-1. Timing Waveforms

## 9 Detailed Description

### 9.1 Overview

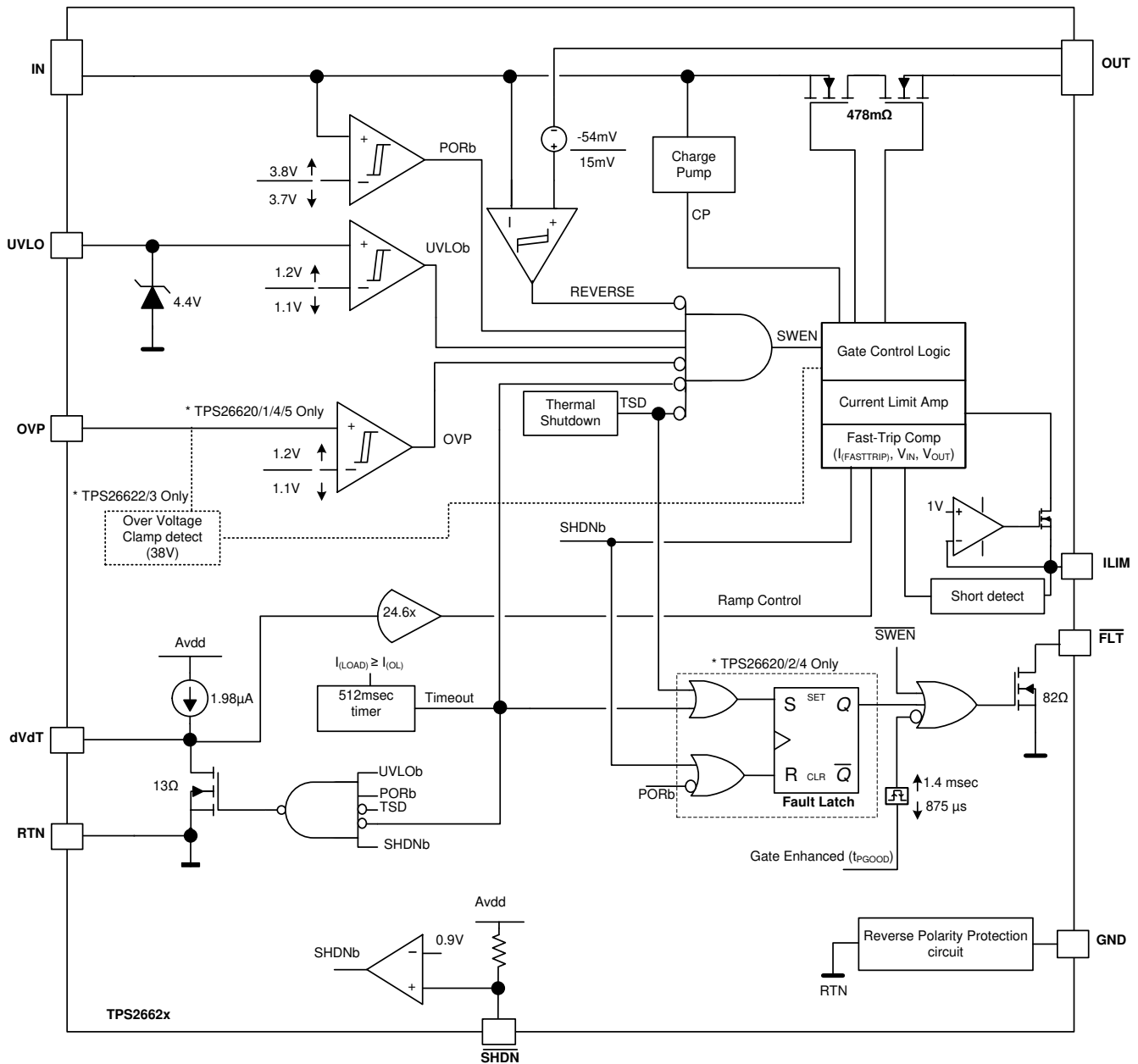
The TPS2662x is a family of high voltage industrial eFuses with integrated back-to-back MOSFETs and enhanced built-in protection circuitry. The device provides robust protection for all systems and applications powered from 4.5 V to 60 V. The device can withstand  $\pm 60$ -V positive and negative supply voltages without damage. The device features fully integrated reverse polarity protection and require zero additional power components. For hot-pluggable boards, the device provides hot-swap power management with in-rush current control. Load, source, and device protections are provided with many programmable features including overcurrent, overvoltage, undervoltage. The precision overcurrent limit ( $\pm 5\%$  at 880 mA) helps to minimize over design of the input power supply, while the fast response short-circuit protection 220 ns (typical) immediately isolates the faulty load from the input supply when a short circuit is detected.

The internal robust protection control blocks of the TPS2662x along with its  $\pm 60$ -V rating helps to simplify the system designs for the surge compliance ensuring complete protection of the load and the device. TPS2662x devices are immune to noise tests like Electrical Fast Transients that are common in industrial applications and simplifies the system design that require criterion-A performance during this test.

The device provides precise monitoring of voltage bus for brown-out and overvoltage conditions and asserts fault signal for the downstream system. The TPS2662x monitor functions threshold accuracy of  $\pm 3\%$  ensures tight supervision of the supply bus, eliminating the need for a separate supply voltage supervisor chip.

The device monitors  $V_{(IN)}$  and  $V_{(OUT)}$  to provide true reverse current blocking when a reverse condition or input power failure condition is detected.

## 9.2 Functional Block Diagram

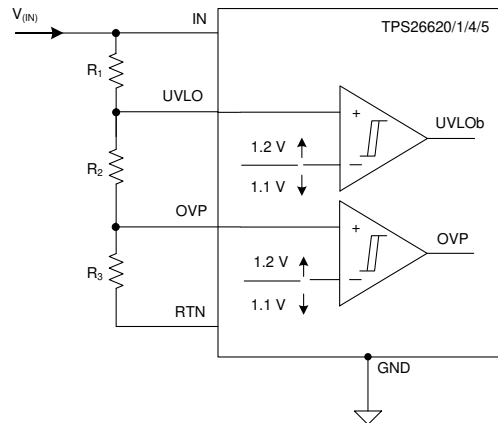


## 9.3 Feature Description

### 9.3.1 Undervoltage Lockout (UVLO)

When the voltage at UVLO pin falls below  $V_{(UVLOF)}$  during input power fail or input undervoltage fault, the internal FET quickly turns off and  $\overline{FLT}$  is asserted. The UVLO comparator has a hysteresis of 100 mV. To set the input UVLO threshold, connect a resistor divider network from IN supply to UVLO terminal to RTN as shown in [Figure 9-1](#).





**Figure 9-1. UVLO and OVP Thresholds Set by  $R_1$ ,  $R_2$  and  $R_3$**

If the Undervoltage Lockout function is not needed, the UVLO terminal must be connected to the IN terminal with a 1-M $\Omega$  resistor. UVLO pin is 5-V rated and this resistor limits the UVLO pin current to < 60  $\mu$ A. The UVLO terminal must not be left floating.

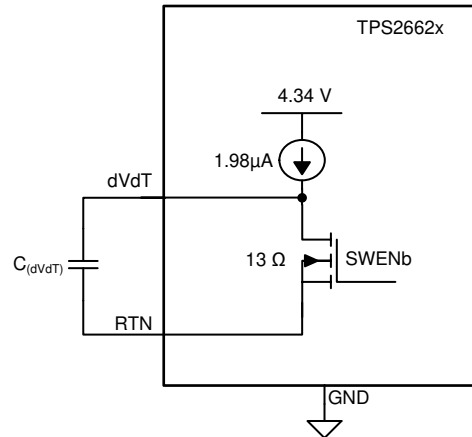
### 9.3.2 Overvoltage Protection (OVP)

The TPS2662x family incorporate circuitry to protect the system during overvoltage conditions. The TPS26620, TPS26621, TPS26624 and TPS26625 feature overvoltage cut off functionality. A voltage more than  $V_{(OVPR)}$  on OVP pin turns off the internal FET and protects the downstream load. To program the OVP threshold externally, connect a resistor divider from IN supply to OVP terminal to RTN as shown in [Figure 9-1](#). If the overvoltage feature is not to be used then connect OVP terminal to RTN directly and ensure  $V_{IN}$  is not exceeded beyond  $OVP_{MAX}$ .

The TPS26622 and TPS26623 feature an internally fixed 38-V overvoltage clamp ( $V_{OVC}$ ) functionality. The OVP terminal of these devices must be connected to the RTN terminal directly. These devices clamp the output voltage to  $V_{OVC}$ , when the input voltage exceeds 38 V. During the output voltage clamp operation, the power dissipation in the internal MOSFET is  $P_D = (V_{IN} - V_{OVC}) \times I_{OUT}$ . Excess power dissipation for prolonged period can make the device to enter into thermal shutdown. If the device temperature does not reach  $T_{(TSD)}$ , the device turns off the internal FETs after a delay of  $t_{CL\_Dly}$ . After the internal FETs are turned off, TPS26622 latches-off and TPS26623 device auto-retries. [Figure 7-25](#) illustrates the overvoltage clamp functionality.

### 9.3.3 Hot Plug-In and Inrush Current Control

The devices are designed to control the inrush current upon insertion of a card into a live backplane or other *hot* power source. This design limits the voltage sag on the backplane's supply voltage and prevents unintended resets of the system power. The controlled start-up also helps to eliminate conductive and radiative interferences. An external capacitor connected from the dVdT pin to RTN defines the slew rate of the output voltage at power-on as shown in [Figure 9-2](#) and [Figure 9-3](#).



**Figure 9-2. Output Ramp Up Time  $t_{dVdT}$  is Set by  $C_{(dVdT)}$**

The dVdT pin can be left floating to obtain a predetermined slew rate ( $t_{dVdT}$ ) on the output. When the terminal is left floating, the devices set an internal output voltage ramp rate of 24 V/660  $\mu$ s. A capacitor can be connected from dVdT pin to RTN to program the output voltage slew rate slower than 24 V/660  $\mu$ s. Use [Equation 1](#) and [Equation 2](#) to calculate the external  $C_{(dVdT)}$  capacitance.

[Equation 1](#) governs slew rate at start-up.

$$I_{(dVdT)} = \left( \frac{C_{(dVdT)}}{\text{Gain}_{(dVdT)}} \right) \times \left( \frac{dV_{(OUT)}}{dt} \right) \quad (1)$$

where

- $I_{(dVdT)} = 1.98 \mu\text{A}$  (typical)
- $\frac{dV_{(OUT)}}{dt}$  = Desired output slew rate
- $\text{Gain}_{(dVdT)} = \text{dVdT to } V_{OUT} \text{ gain} = 24.6$

The total ramp time ( $t_{dVdT}$ ) of  $V_{(OUT)}$  for 0 to  $V_{(IN)}$  can be calculated using [Equation 2](#).

$$t_{dVdT} = 20.5 \times 10^3 \times V_{(IN)} \times C_{(dVdT)} \quad (2)$$

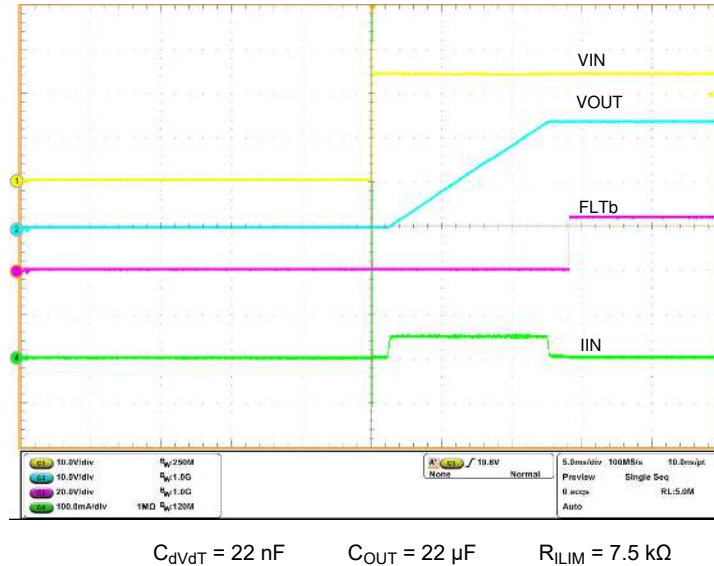


Figure 9-3. Hot Plug-In and Inrush Current Control at 24-V Input

### 9.3.4 Reverse Polarity Protection

#### 9.3.4.1 Input Side Reverse Polarity Protection

TPS2662x eFuses feature fully integrated input side reverse polarity protection. The internal FETs of the eFuse turn OFF during the input reverse polarity event and protect the downstream loads from negative supply voltages that can appear due to field mis-wiring on the input power terminals. Figure 9-4 illustrates the reverse input polarity protection functionality.

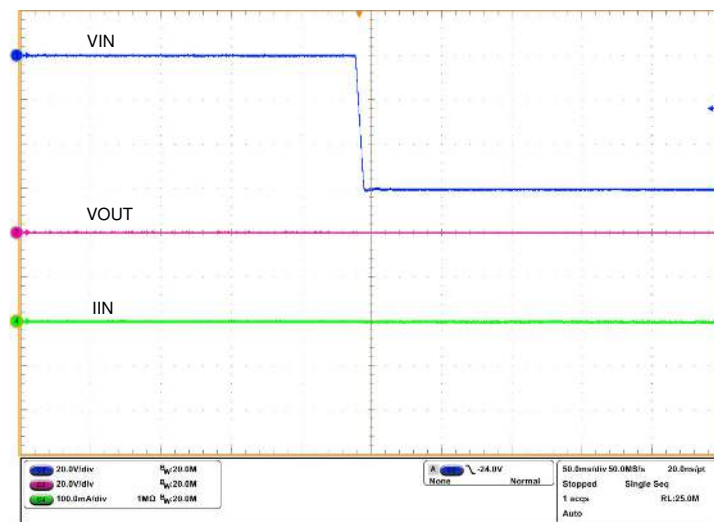


Figure 9-4. Reverse Input Supply Protection at -60 V

#### 9.3.4.2 Output Side Reverse Polarity Protection

The TPS26624 and TPS26625 eFuses feature fully integrated input as well as output reverse polarity protection. The internal FETs of the eFuse turn OFF during the output reverse polarity event and protects the upstream circuits from negative voltage that can appear at the output of the eFuse due to field miswiring at the output side with an external isolated power supplies. Figure 9-5 illustrates the performance during output side reverse polarity event with  $V_{(IN)}$  un-powered and Figure 9-6 illustrates the performance with  $V_{(IN)}$  powered. Figure 9-7 illustrates the output recovery performance after the reverse polarity is removed.

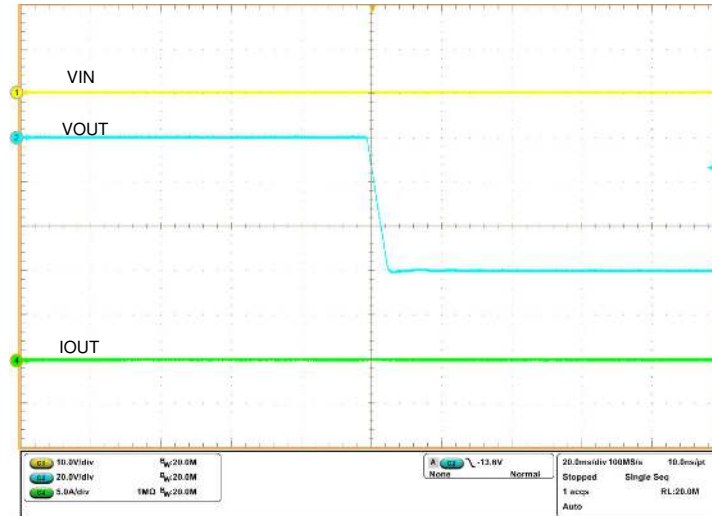


Figure 9-5. Reverse Output Polarity Protection With  $-60\text{ V}$  at OUT and  $V_{IN} = 0\text{ V}$

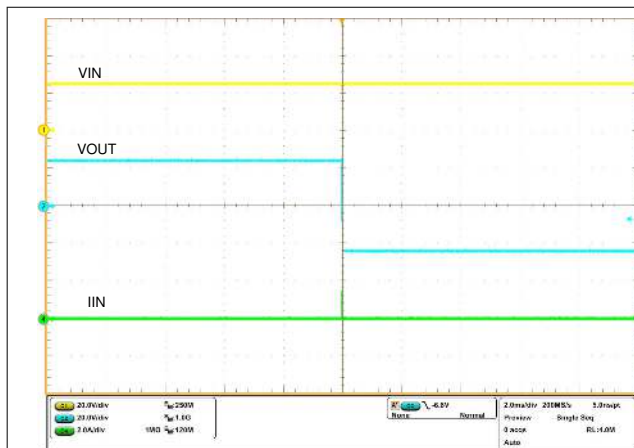


Figure 9-6. Reverse Output Polarity Protection With  $-24\text{ V}$  at OUT and  $24\text{ V}$  at IN

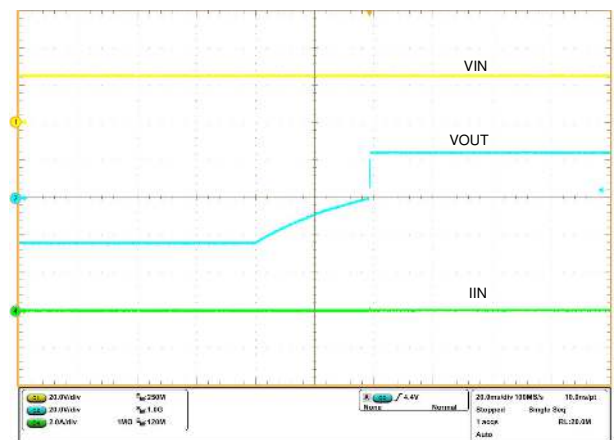


Figure 9-7. Response During Coming Out of Output Reverse Polarity Fault Condition

### 9.3.5 Overload and Short-Circuit Protection

The device monitors the load current by sensing the voltage across the internal sense resistor. The FET current is monitored during start-up and normal operation.

#### 9.3.5.1 Overload Protection

Connect a resistor across ILIM to RTN to program the over load current limit  $I_{(OL)}$ . During overload conditions, the device regulates the current through it at  $I_{(OL)}$  programmed by the  $R_{(ILIM)}$  resistor as shown in Equation 3 for a maximum duration of  $t_{CL(dly)}$ .

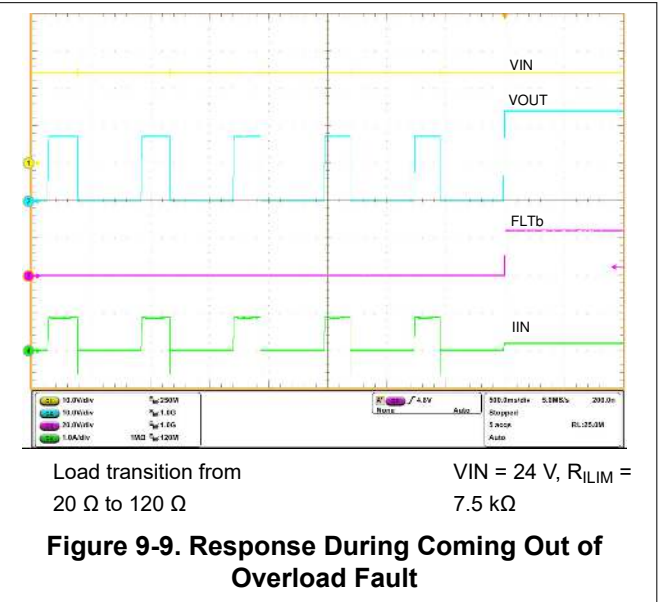
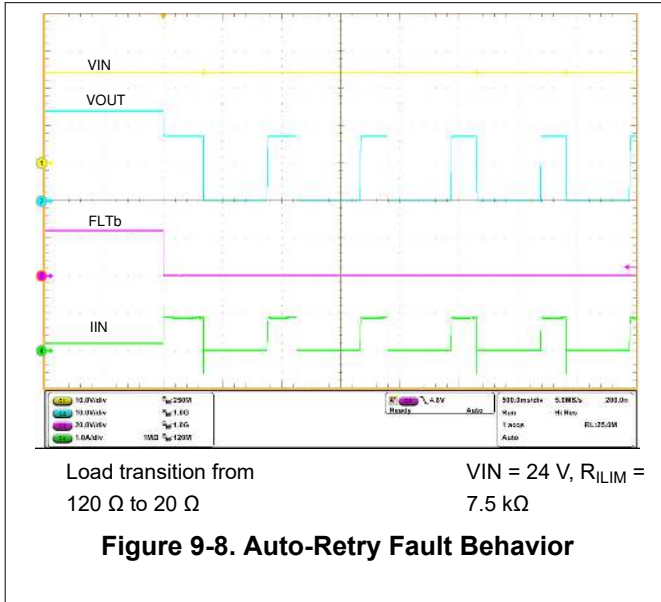
$$I_{OL} = \frac{6.636}{R_{ILIM}} \quad (3)$$

where

- $I_{(OL)}$  is the overload current limit in Ampere
- $R_{(ILIM)}$  is the current limit resistor in  $k\Omega$

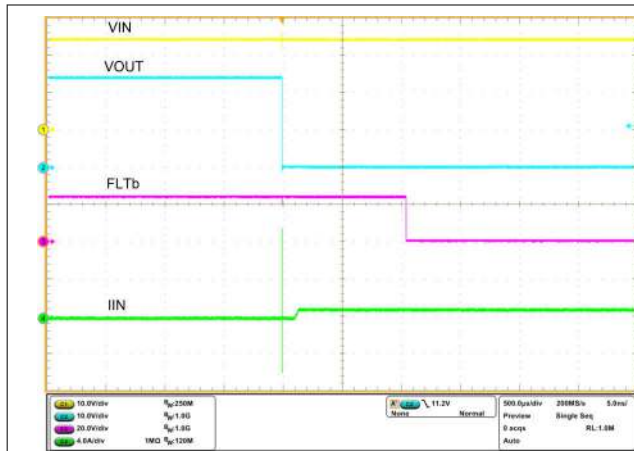
During the current limit operation the output voltage droops and this can cause the device to hit the thermal shutdown threshold  $T_{(TSD)}$  before  $t_{CL(dly)}$  time. After the thermal shutdown threshold is hit or  $t_{CL(dly)}$  is elapsed,

the internal FETs of TPS2662x turns OFF. FETs in TPS26620, TPS26622 and TPS26624 remain OFF and latched. To reset the latch, cycle the SHDN or UVLO, or recycle the V<sub>IN</sub>. TPS26621, TPS26623 and TPS26625 commence an auto-retry cycle after a retry time of 512 msec. The internal FETs turn back on in dVdT mode after this retry time. If the overload still exists, then the device regulates the current at programmed current limit, I<sub>(OL)</sub>. t<sub>CL(dly)</sub> is the maximum duration for current limiting and estimated as t<sub>CL(dly)</sub> = 512 ms + [3.3 × C<sub>dVdT</sub> / 2 μA] (C<sub>dVdT</sub> in nF).



### 9.3.5.2 Short-Circuit Protection

During a transient output short circuit event, the current through the device increases rapidly. As the current-limit amplifier cannot respond quickly to this event due to its limited bandwidth, the device incorporates a fast-trip comparator. The fast-trip comparator architecture is designed for fast turn OFF (t<sub>FAST-TRIP(dly)</sub> = 220 ns (typical)) of the internal FET during an output short circuit event. The fast-trip threshold is internally set to I<sub>(FAST-TRIP)</sub>. The fast-trip circuit holds the internal FET off for only a few microseconds, after which the device turns back on slowly, allowing the current-limit loop to regulate the output current to I<sub>(OL)</sub>. Then the device functions similar to the overload condition. Figure 9-10 and Figure 9-11 illustrate the behavior of the system during output short-circuit condition.



VIN = 24 V, R<sub>LIM</sub> = 7.5 kΩ

Figure 9-10. Output Hot Short Functionality at 24-V Input

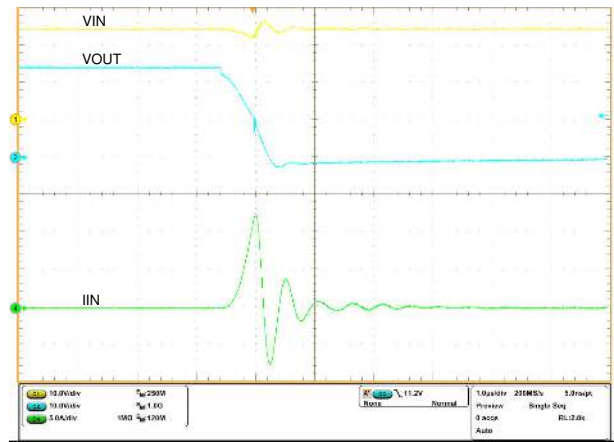
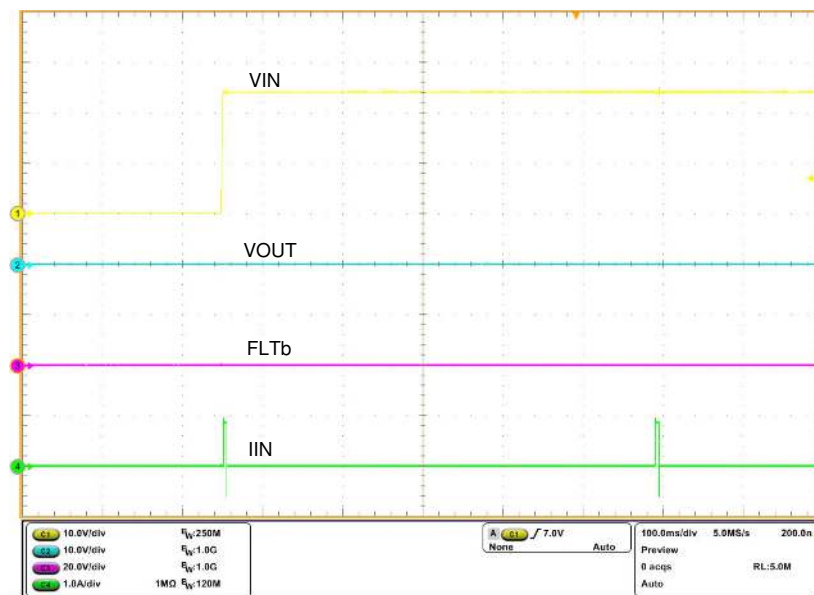


Figure 9-11. Hot-Short: Fast-Trip Response (Zoomed)

The fast-trip comparator architecture has a supply line noise immunity resulting in a robust performance in noisy environments. This feature is achieved by controlling the turn OFF time of the internal FET based on the differential voltage across  $V_{(IN)}$  and  $V_{(OUT)}$  after the current through the device exceeds  $I_{(FAST-TRIP)}$ . Higher the voltage difference  $V_{(IN)} - V_{(OUT)}$ , faster the turn OFF time,  $t_{FAST-TRIP(dly)}$ .

### 9.3.5.2.1 Start-Up With Short-Circuit On Output

When the device is started with short-circuit on the output, it limits the load current to the current limit,  $I_{(OL)}$ , and functions similar to the overload condition. Figure 9-12 illustrates the function of the device in this condition. This feature helps in quick isolation of the fault and ensures stability of the DC bus.



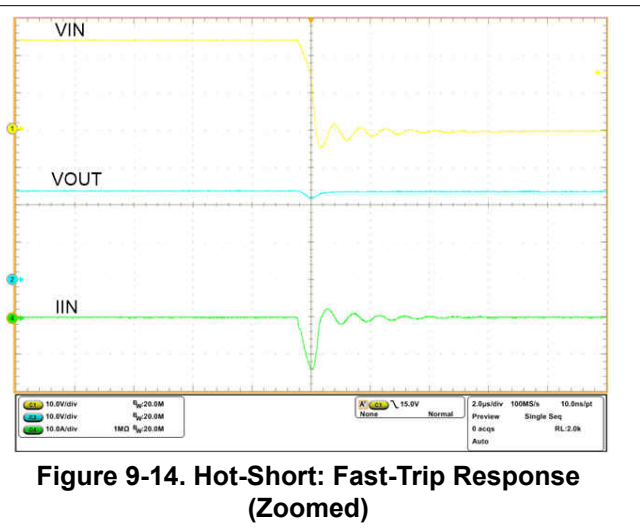
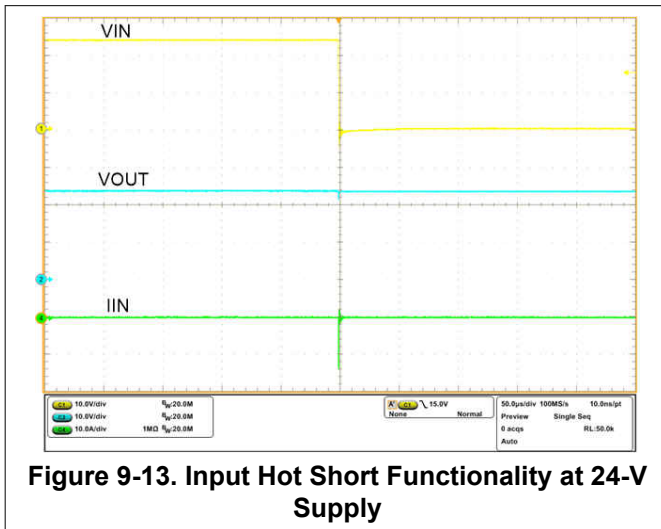
VIN = 24 V, R<sub>LIM</sub> = 7.5 kΩ

Figure 9-12. Start-Up With Short on Output

### 9.3.6 Reverse Current Protection

The device monitors  $V_{(IN)}$  and  $V_{(OUT)}$  to provide true reverse current blocking when a reverse condition or input power failure condition is detected. The reverse comparator turns OFF the internal FET within 310 ns (typical)

as soon as  $V_{(IN)} - V_{(OUT)}$  falls below  $-2.6$  V. The reverse comparator turns on within  $63 \mu\text{s}$  (typical) after the differential forward voltage  $V_{(IN)} - V_{(OUT)}$  exceeds  $115$  mV. Figure 9-13 and Figure 9-14 illustrate the behavior of the system during input hot short circuit condition.



The reverse comparator architecture has a supply line noise immunity resulting in a robust performance in noisy environments. This feature is achieved by controlling the turn OFF time of the internal FET based on the over-drive differential voltage  $V_{(IN)} - V_{(OUT)}$  over  $V_{(REVTH)}$ . Higher the over-drive, faster the turn OFF time,  $t_{REV(dly)}$ . Figure 7-22 shows the reverse current blocking response time versus over-drive voltage.

### 9.3.7 FAULT Response

The  $\overline{\text{FLT}}$  open-drain output asserts (active low) under the following conditions:

- Fault events such as undervoltage, overvoltage, over load, reverse current and thermal shutdown conditions
- The device enters low current shutdown mode when  $\overline{\text{SHDN}}$  is pulled low
- During start-up when the internal FET GATE is not fully enhanced

The device is designed to eliminate false reporting by using an internal *de-glitch* circuit for fault conditions without the need for an external circuitry.

The  $\overline{\text{FLT}}$  signal can also be used as a Power Good indicator to the downstream loads like DC/DC converters. An internal Power Good (PGOOD) signal is OR'd with the fault logic. During start-up, when the device is operating in dVdT mode, PGOOD and  $\overline{\text{FLT}}$  it remains low and is de-asserted after the dVdT mode is completed and the internal FET is fully enhanced. The PGOOD signal has deglitch time incorporated to ensure that internal FET is fully enhanced before heavy load is applied by the downstream converters. Rising deglitch delay is determined by  $t_{\text{PGOOD}(degl)} = \text{Maximum} \{ (750 + 573 \times C_{(dVdT)}), t_{\text{PGOODR}} \}$ , where  $C_{(dVdT)}$  is in nF and  $t_{\text{PGOOD}(degl)}$  is in  $\mu\text{s}$ .  $\overline{\text{FLT}}$  can be left open or connected to RTN when not used.  $V_{(IN)}$  falling below  $3.4$  V resets  $\overline{\text{FLT}}$ .

### 9.3.8 IN, OUT, RTN, and GND Pins

TI recommends a ceramic bypass capacitor close to the device from IN to GND to alleviate bus transients. The recommended input operating voltage range is  $4.5$  to  $60$  V.  $V_{(OUT)}$ , in the ON condition, is calculated using Equation 4.

$$V_{(OUT)} = V_{(IN)} - (RON \times I_{(OUT)}) \tag{4}$$

Where,

- RON is the total ON resistance of the internal FETs.

GND pin must be connected to the system ground. RTN is the device ground reference for all the internal control blocks. Connect the TPS2662x family support components:  $R_{(ILIM)}$ ,  $C_{(dVdT)}$  and resistors for UVLO and OVP with respect to the RTN pin. Internally, the device has reverse input polarity protection block between RTN and the GND terminal. Connecting RTN pin to GND pin disables the reverse polarity protection feature and the TPS2662x gets permanently damaged when operated under this fault event.

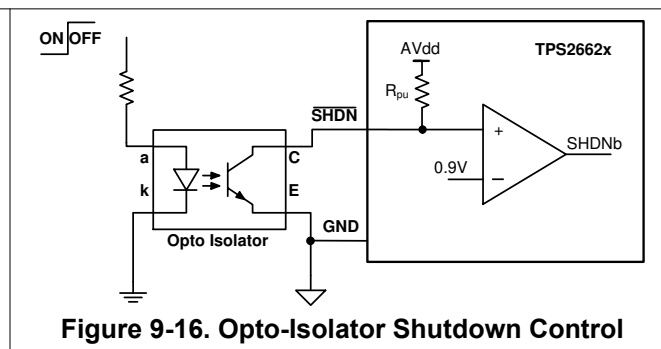
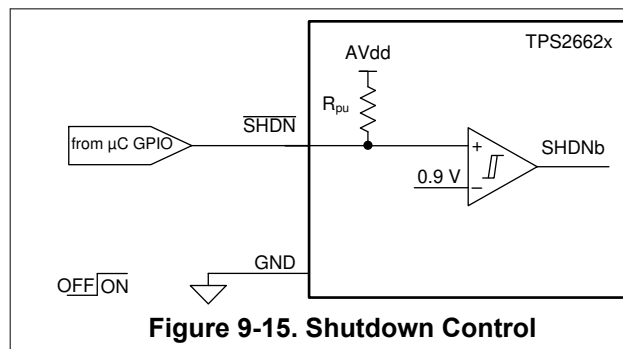
### 9.3.9 Thermal Shutdown

The device has a built-in overtemperature shutdown circuitry designed to protect the internal FETs, if the junction temperature exceeds  $T_{(TSD)}$ . After the thermal shutdown event, depending upon the mode of fault response, the device either latches off or commences an auto-retry cycle 512 ms after  $T_J < (T_{(TSD)} - 13.5^{\circ}\text{C})$ . During the thermal shutdown, the fault pin  $\overline{\text{FLT}}$  pulls low to indicate a fault condition.

## 9.4 Device Functional Modes

### 9.4.1 Low Current Shutdown Control ( $\overline{\text{SHDN}}$ )

The internal FETs and the load current can be switched off by pulling the  $\overline{\text{SHDN}}$  pin below 0.9-V threshold with a micro-controller GPIO pin or can be controlled remotely with an opto-isolator device as shown in [Figure 9-15](#) and [Figure 9-16](#). The device quiescent current reduces to 10  $\mu\text{A}$  (typical) in SHUTDOWN state. To assert  $\overline{\text{SHDN}}$  low, the pull down must sink at least 10  $\mu\text{A}$  at 400 mV. To enable the device,  $\overline{\text{SHDN}}$  must be pulled up to at least 1.8 V. After the device is enabled, the internal FETs turn on with dVdT mode.





## 10 Application and Implementation

### Note

Information in the following applications sections is not part of the TI component specification, and TI does not warrant its accuracy or completeness. TI's customers are responsible for determining suitability of components for their purposes, as well as validating and testing their design implementation to confirm system functionality.

### 10.1 Application Information

The TPS2662x family is an industrial eFuse, typically used for Hot-Swap and power rail protection applications. The device operates from 4.5 V to 60 V with programmable current limit, overvoltage, undervoltage and reverse polarity protections. The device aids in controlling inrush current and provides robust protection against reverse current and field miss-wiring conditions for systems such as PLC I/O modules and sensor power supplies. The device also provides robust protection for multiple faults on the system rail.

The [Detailed Design Procedure](#) section can be used to select component values for the device.

Alternatively, the [WEBENCH®](#) software can be used to generate a complete design. The WEBENCH® software uses an iterative design procedure and accesses a comprehensive database of components when generating a design. Additionally, a spreadsheet design tool, [TPS2662 Design Calculator](#), is available in the web product folder.

### 10.2 Typical Application

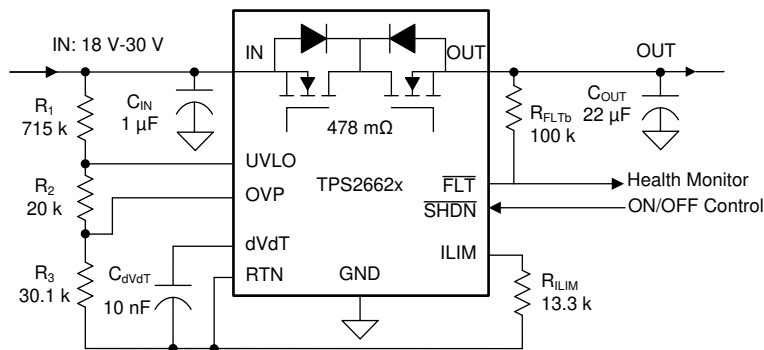


Figure 10-1. 24-V, 500-mA eFuse Input Protection Circuit for PLC I/O Module

#### 10.2.1 Design Requirements

Table 10-1 shows the design requirements for TPS2662x.

Table 10-1. Design Requirements

DESIGN PARAMETER		EXAMPLE VALUE
$V_{(IN)}$	Typical input voltage	24 V
$V_{(UV)}$	Undervoltage lockout set point	18 V
$V_{(OV)}$	Overvoltage cutoff set point	30 V
$T_{(SU)}$	Load during start-up	96 $\Omega$
$I_{(LIM)}$	Current limit	500 mA
$C_{(OUT)}$	Load capacitance	22 $\mu$ F
$T_A$	Maximum ambient temperature	125°C

## 10.2.2 Detailed Design Procedure

### 10.2.2.1 Step-by-Step Design Procedure

To begin the design process, the designer must know the following parameters:

- Input operating voltage range
- Maximum output capacitance
- Maximum current limit
- Load during start-up
- Maximum ambient temperature

This design procedure below seeks to control junction temperature of the device in both steady state and start-up conditions by proper selection of the output ramp-up time and associated support components. The designer can adjust this procedure to fit the application and design criteria.

#### 10.2.2.2 Programming the Current Limit Threshold $R_{(ILIM)}$ Selection

The  $R_{(ILIM)}$  resistor at the ILIM pin sets the over load current limit. the current limit can be set using [Equation 5](#).

$$R_{ILIM} = \frac{6.636}{I_{LIM}} = 13.27 \text{ k}\Omega \quad (5)$$

where

- $I_{LIM} = 500 \text{ mA}$

Choose the closest standard 1% resistor value:  $R_{(ILIM)} = 13.3 \text{ k}\Omega$ .

#### 10.2.2.3 Undervoltage Lockout and Overvoltage Set Point

The undervoltage lockout (UVLO) and overvoltage trip point are adjusted using an external voltage divider network of  $R_1$ ,  $R_2$  and  $R_3$  connected between IN, UVLO, OVP and RTN pins of the device. The values required for setting the undervoltage and overvoltage are calculated by solving [Equation 6](#) and [Equation 7](#).

$$V_{(OVPR)} = \frac{R_3}{R_1 + R_2 + R_3} \times V_{(OV)} \quad (6)$$

$$V_{(UVLOR)} = \frac{R_2 + R_3}{R_1 + R_2 + R_3} \times V_{(UV)} \quad (7)$$

For minimizing the input current drawn from the power supply  $\{I_{(R123)} = V_{(IN)} / (R_1 + R_2 + R_3)\}$ , TI recommends to use higher value resistance for  $R_1$ ,  $R_2$  and  $R_3$ .

However, the leakage current due to external active components connected at resistor string can add error to these calculations. So, the resistor string current,  $I_{(R123)}$  must be chosen to be 20 times greater than the leakage current of UVLO and OVP pins.

From the device electrical specifications,  $V_{(OVPR)} = 1.19 \text{ V}$  and  $V_{(UVLOR)} = 1.19 \text{ V}$ . From the design requirements,  $V_{(OV)}$  is 30 V and  $V_{(UV)}$  is 18 V. To solve the equation, first choose the value of  $R_3 = 30.1 \text{ k}\Omega$  and use [Equation 6](#) to solve for  $(R_1 + R_2) = 728.7 \text{ k}\Omega$ . Use [Equation 7](#) and value of  $(R_1 + R_2)$  to solve for  $R_2 = 20.05 \text{ k}\Omega$  and finally  $R_1 = 708.6 \text{ k}\Omega$ .

Choose the closest standard 1% resistor values:  $R_1 = 715 \text{ k}\Omega$ ,  $R_2 = 20 \text{ k}\Omega$ , and  $R_3 = 30.1 \text{ k}\Omega$ .

#### 10.2.2.4 Setting Output Voltage Ramp Time—( $t_{dVdT}$ )

For a successful design, the junction temperature of the device must be kept below the absolute maximum rating during dynamic (start-up) and steady state conditions. The dynamic power dissipation is often an order magnitude greater than the steady state power dissipation. It is important to determine the right start-up time

and the inrush current limit for the system to avoid thermal shutdown during start-up with and without load. The ramp-up capacitor  $C_{(dVdT)}$  is calculated considering the two possible cases:

#### 10.2.2.4.1 Case 1: Start-Up Without Load—Only Output Capacitance $C_{(OUT)}$ Draws Current During Start-Up

During start-up, as the output capacitor charges, the voltage difference across the internal FET decreases, and the power dissipation decreases. Typical ramp-up of the output voltage, inrush current and instantaneous power dissipated in the device during start-up are shown in [Figure 10-2](#). The average power dissipated in the device during start-up is equal to the area of triangular plot (red curve in [Figure 10-3](#)) averaged over  $t_{dVdT}$ .

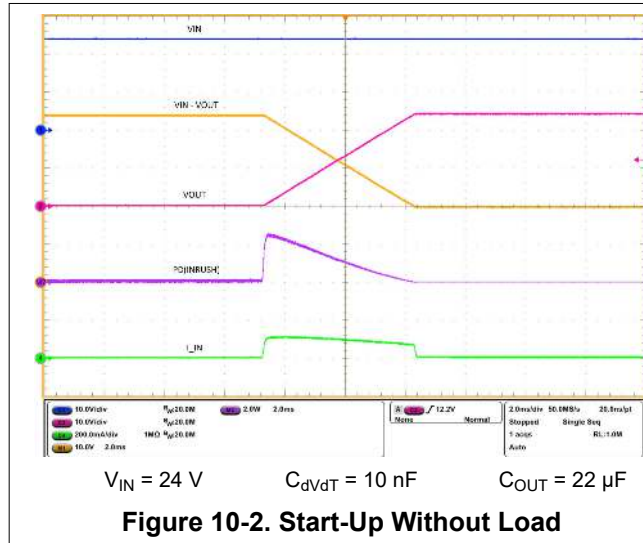


Figure 10-2. Start-Up Without Load

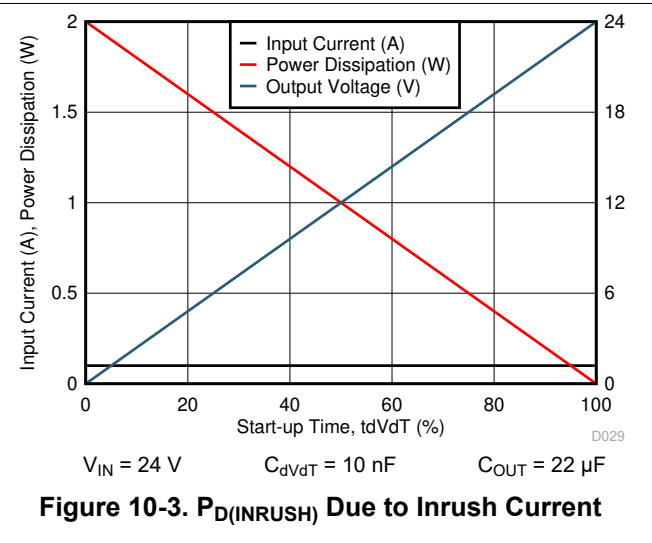


Figure 10-3.  $P_{D(INRUSH)}$  Due to Inrush Current

The inrush current is determined as shown in [Equation 8](#).

$$I = C \times \frac{dV}{dT} \geq I_{(INRUSH)} = C_{(OUT)} \times \frac{V_{(IN)}}{t_{dVdT}} \quad (8)$$

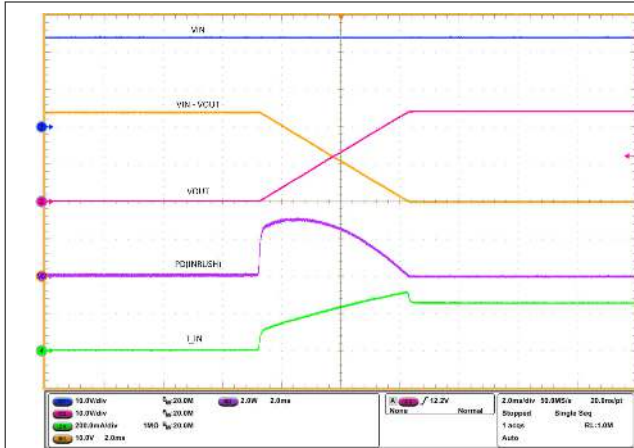
Average power dissipated during start-up is given by [Equation 9](#).

$$P_{D(INRUSH)} = 0.5 \times V_{(IN)} \times I_{(INRUSH)} \quad (9)$$

[Equation 9](#) assumes that the load does not draw any current until the output voltage reaches its final value.

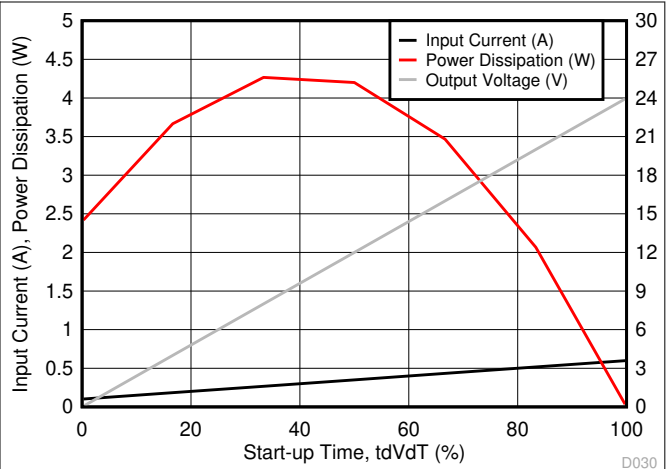
#### 10.2.2.4.2 Case 2: Start-Up With Load —Output Capacitance $C_{(OUT)}$ and Load Draws Current During Start-Up

When the load draws current during the turn-on sequence, additional power is dissipated in the device. Considering a resistive load  $R_{L(SU)}$  during start-up, typical ramp-up of output voltage, [Figure 10-4](#) shows load current and the instantaneous power dissipation in the device. [Figure 10-5](#) plots Instantaneous power dissipation with respect to time.



$V_{IN} = 24\text{ V}$                        $R_L\text{ (SU)} = 96\ \Omega$   
 $C_{dVdT} = 10\text{ nF}$                        $C_{OUT} = 22\ \mu\text{F}$

**Figure 10-4. Start-Up With Load**



$V_{IN} = 24\text{ V}$                        $R_L\text{ (SU)} = 96\ \Omega$   
 $C_{dVdT} = 10\text{ nF}$                        $C_{OUT} = 22\ \mu\text{F}$

**Figure 10-5.  $P_{D(INRUSH)}$  Due to Inrush and Load Current**

The additional power dissipation during start-up is calculated using [Equation 10](#).

$$P_{D(Load)} = \frac{1}{6} \times \frac{V_{(IN)}^2}{R_{L(SU)}} \tag{10}$$

Total power dissipated in the device during start-up is given by [Equation 11](#).

$$P_{D(STARTUP)} = P_{D(INRUSH)} + P_{D(Load)} \tag{11}$$

Total current during start-up is given by [Equation 12](#).

$$I_{(STARTUP)} = I_{(INRUSH)} + I_{L(t)} \tag{12}$$

For the design example under discussion,

Select the inrush current  $I_{(INRUSH)} = 0.1\text{ A}$  and  $t_{dVdT}$  calculated using [Equation 8](#) is 5.28 ms.

For a given start-up time,  $C_{dVdT}$  capacitance value calculated using [Equation 2](#) is 10.7 nF for  $t_{dVdT} = 5.28\text{ ms}$  and  $V_{IN} = 24\text{ V}$ .

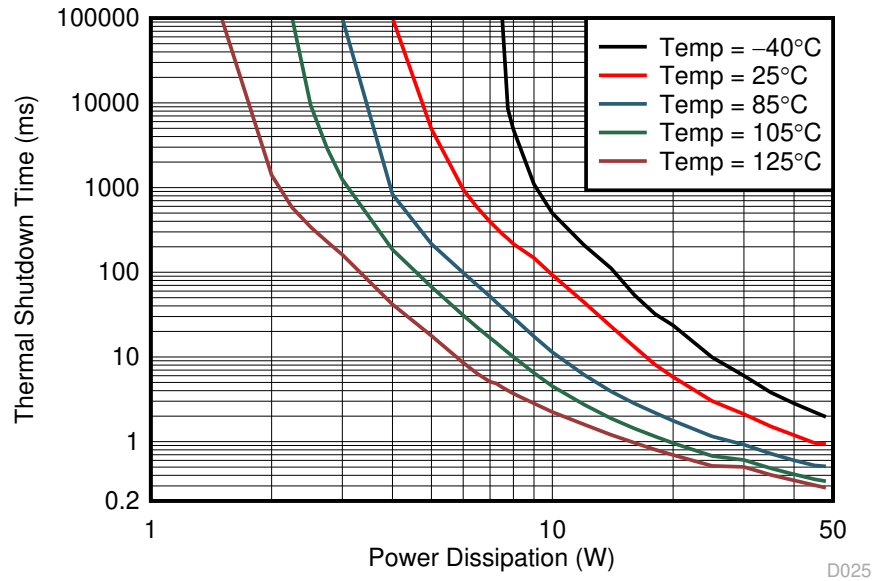
Choose the closest standard value: 10.0 nF and 16-V capacitor.

The inrush power dissipation due to output capacitor alone is calculated using Equation 9 and it is 1.2 W. Considering the start-up with 96-Ω load, the additional power dissipation calculated using Equation 10 is 1 W. The total device power dissipation during start-up is 2.2 W

The power dissipation with or without load, for a selected start-up time must not exceed the thermal shutdown limits as shown in Figure 10-6.

From the thermal shutdown limit graph, at  $T_A = 125^\circ\text{C}$ , thermal shutdown time for 2.2 W is close to 580 ms. It is safe to have a minimum 30% margin to allow for variation of the system parameters such as load, component tolerance, input voltage and layout. Selected 10-nF  $C_{dVdT}$  capacitor and 5.28-ms start-up time ( $t_{dVdT}$ ) are well within the limit for successful start-up with 96-Ω load.

Higher value  $C_{(dVdT)}$  capacitor can be selected to further reduce the power dissipation during start-up.



**Figure 10-6. Thermal Shutdown Time vs Power Dissipation**

#### 10.2.2.4.3 Support Component Selections – $R_{FLT}$ and $C_{(IN)}$

The  $R_{FLT}$  *Absolute Maximum Ratings* serves as pull-up for the open-drain fault output. The current sink by this pin must not exceed 10 mA (see the *Absolute Maximum Ratings* table). TI recommends typical resistance value in the range of 10 kΩ to 100 kΩ for  $R_{FLT}$ . The  $C_{IN}$  is a local bypass capacitor to suppress noise at the input. TI recommends typical capacitance value in the range of 0.1 μF to 1 μF for  $C_{(IN)}$ .

### 10.2.3 Application Curves



Figure 10-7. Hot Plug With VIN – No Load

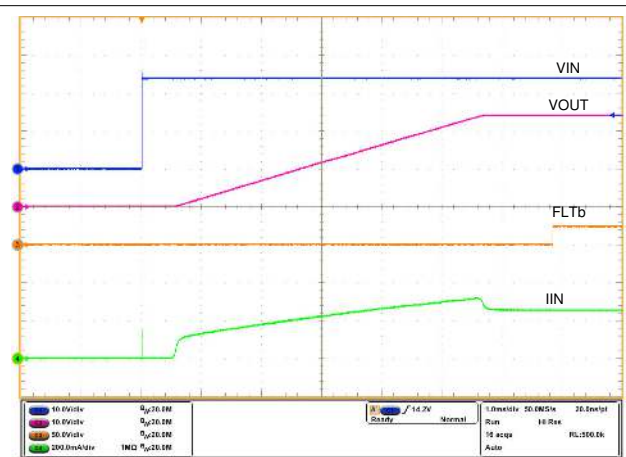


Figure 10-8. Hot-Plug With VIN – 96-Ω Load

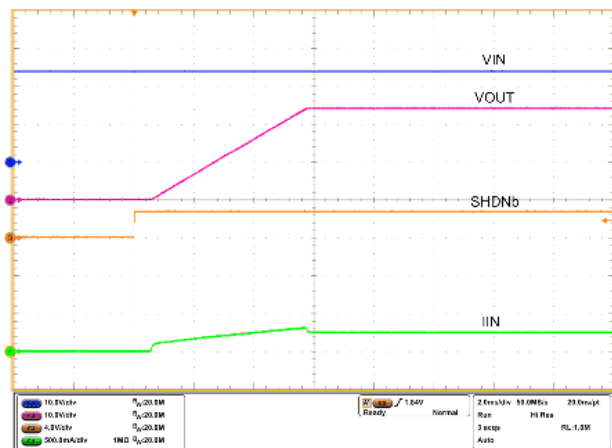


Figure 10-9. Start-Up With Shutdown Pin – 96-Ω Load

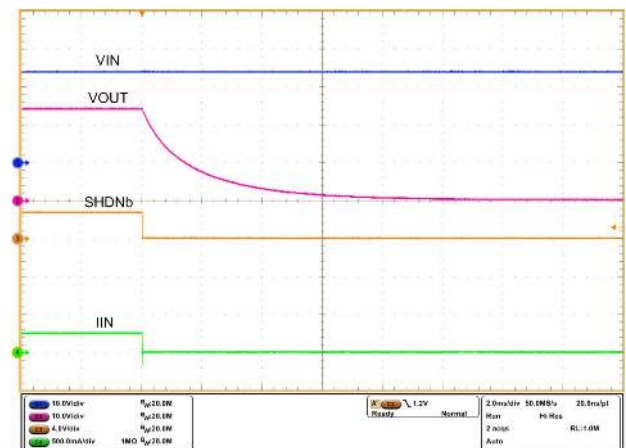


Figure 10-10. Power Down With Shutdown Pin – 96-Ω Load

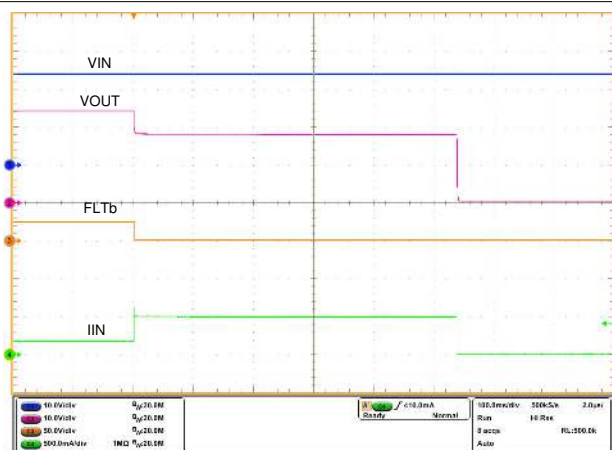


Figure 10-11. Over Load Response – Load Stepped From 136-Ω to 36-Ω Load

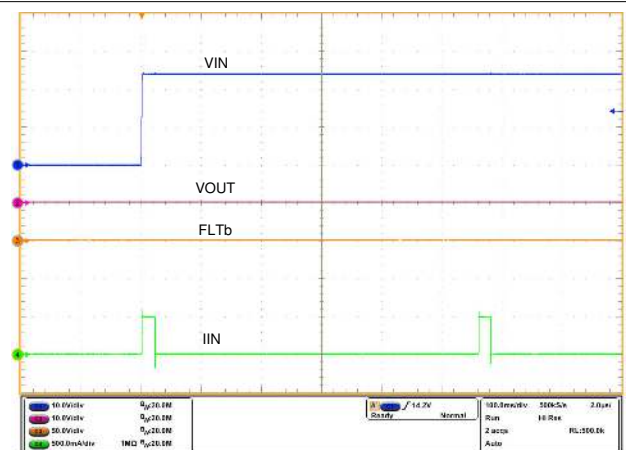
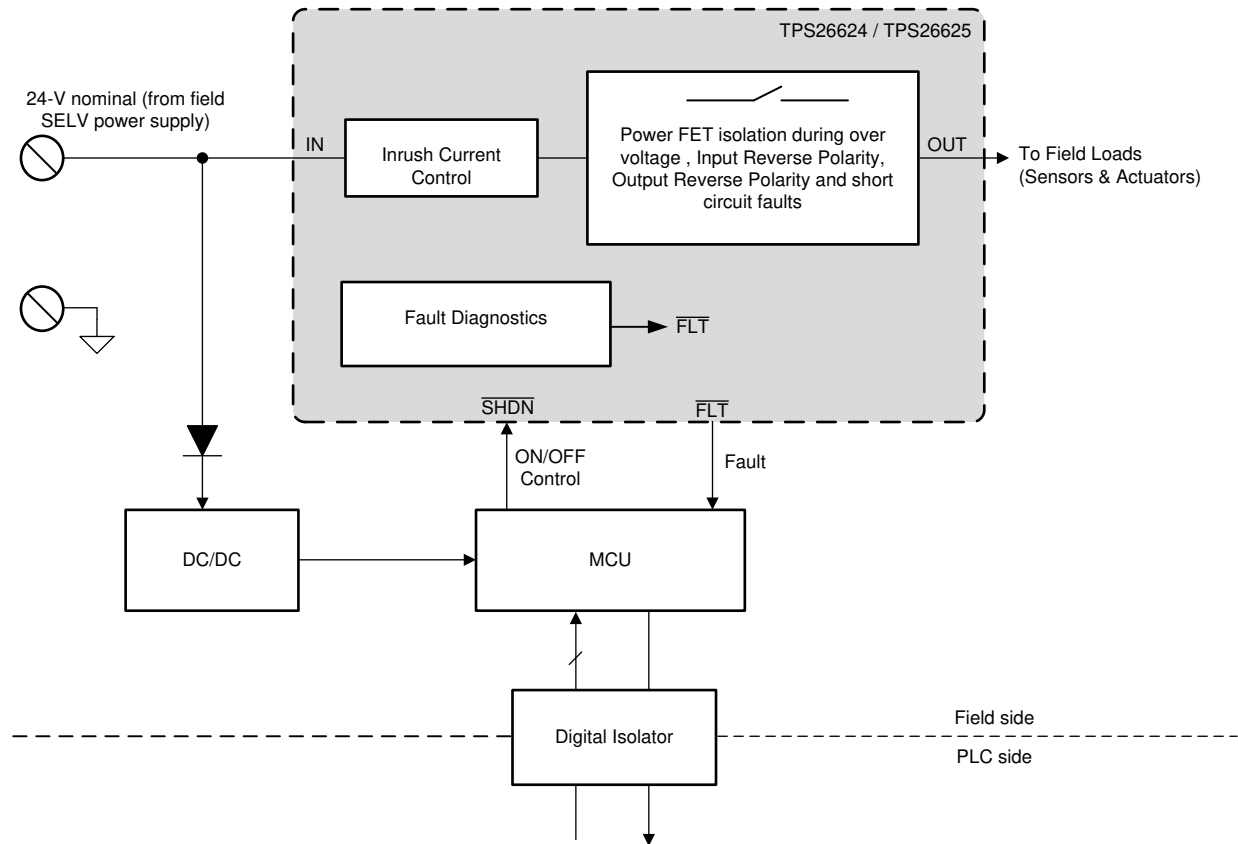


Figure 10-12. Turn ON With Short Circuit on Output

## 10.3 System Examples

### 10.3.1 Field Supply Protection in PLC, DCS I/O Modules



**Figure 10-13. Power Delivery Circuit Block Diagram in I/O Modules**

The PLC or Distributed Control System (DCS) I/O modules are often connected to an external field power supply to support higher power requirements of the field loads like sensors and actuators. Power-supply faults or miswiring can damage the loads or cause the loads not to operate correctly. The TPS26624 and TPS26625 can be used as a front end protection circuit to protect and provide stable supply to the field loads. Undervoltage, overvoltage, and input and output side reverse polarity protection features of these devices prevent the loads to experience voltages outside the operating range, which can permanently damage the loads.

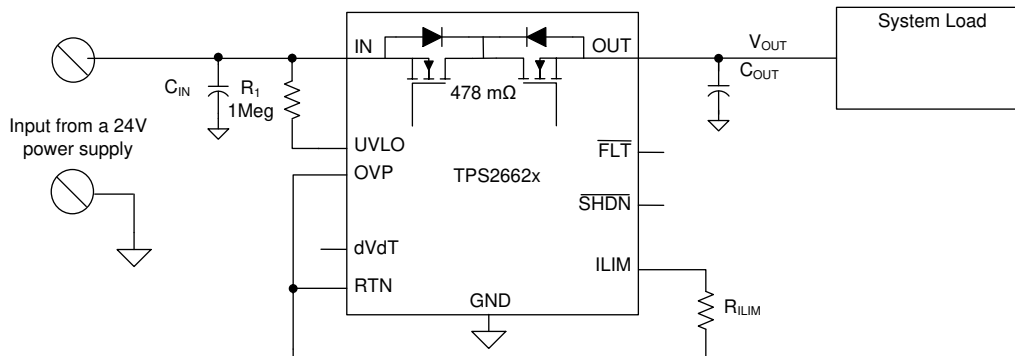
Field power supply is often connected to multiple I/O modules that can deliver more current than a single I/O module can handle. Overcurrent protection scheme of the TPS2662x family limits the current from the power supply to the module so that the maximum current does not rise above what the board is designed for. Fast short-circuit protection scheme isolates the faulty load from the field supply quickly and prevents the field supply to dip and cause interrupts in the other I/O modules connected to the same field supply. High accurate ( $\pm 5\%$  at 0.88 A) current limit facilitates more I/O modules to be connected to field supply. Fault indication (  $\overline{FLT}$  ) features facilitate continuous load monitoring.

The TPS26624 and TPS26625 also acts as a smart diode with protection against reverse current during output side miswiring. Reverse current can potentially damage the field power supply and cause the I/O modules to run hot or can cause permanent damage.

If the field power supply is connected in reverse polarity on the input side (which is not unlikely as field power supplies are usually connected with screw terminals), field loads can permanently get damaged due to the reverse voltage. Also, during the installation the field power supply can be miswired on the output side instead of on the input side which can damage the upstream power supply and electronics. The input and output reverse polarity protection feature of the TPS26624 and TPS26625 prevents the reverse voltage to appear at the load side as well as supply side offering complete system protection during field miswiring.

### 10.3.2 Simple 24-V Power Supply Path Protection

With the TPS2662x, a simple 24-V power supply path protection can be realized using a minimum of four external components as shown in the schematic diagram in [Figure 10-14](#). The external components required are: a 1Meg  $\Omega$   $R_{(1)}$  resistor across IN and UVLO pins, a  $R_{(ILIM)}$  resistor to program the current limit,  $C_{(IN)}$  and  $C_{(OUT)}$  capacitors.



**Figure 10-14. TPS2662x Configured for a Simple 24-V Supply Path Protection**

Protection features with this configuration include:

- Load and device protection from reverse input polarity fault down to  $-60$  V
- Upstream supply and device protection from reverse output polarity fault down to  $-(60 - V_{IN})$  V with TPS26624 and TPS26625 variants
- Protection from 60 V from the external SELV supply: overvoltage Clamp at 38 V with TPS26622 and TPS26623 variants
- Inrush current control with 24 V and 660- $\mu$ s output voltage slew rate
- Reverse Current Blocking
- Accurate current limiting with auto-retry with TPS26621, TPS26623, TPS26625 variants
- Accurate current limiting with latch-off with TPS26620, TPS26622, TPS26624 variants

#### 10.3.3 Power Stealing in Smart Thermostat

The adjustable protection features of the TPS2662x eFuse, like the inrush current limiting, overvoltage and overcurrent protection, simplifies the input power management design in smart thermostats. Refer to the TI Design report, [Power Stage Reference Design for Power Stealing Thermostat](#), for further information.

#### 10.4 Do's and Don'ts

- Do not connect RTN to GND. Connecting RTN to GND disables the Reverse Polarity protection feature.
- Do connect the TPS2662x support components  $R_{(ILIM)}$ ,  $C_{(dVdT)}$ , and UVLO, OVP resistors with respect to RTN pin.
- Do connect device PowerPAD to the RTN plane for an enhanced thermal performance.



## 11 Power Supply Recommendations

The TPS2662x eFuse is designed for the supply voltage range of  $4.5\text{ V} \leq V_{\text{IN}} \leq 60\text{ V}$ . If the input supply is located more than a few inches from the device, TI recommends an input ceramic bypass capacitor higher than  $0.1\text{ }\mu\text{F}$ . Power supply must be rated higher than the current limit set to avoid voltage droops during overcurrent and short-circuit conditions.

### 11.1 Transient Protection

In case of short circuit and over load current limit, when the device interrupts current flow, input inductance generates a positive voltage spike on the input and output inductance generates a negative voltage spike on the output. The peak amplitude of voltage spikes (transients) depends on the value of inductance in series to the input or output of the device. These transients can exceed the *Absolute Maximum Ratings* of the device if steps are not taken to address the issue.

Typical methods for addressing transients include:

- Minimizing lead length and inductance into and out of the device
- Using large PCB GND plane
- Use of a Schottky diode across the output and GND to absorb negative spikes in the designs with TPS26620, TPS26621, TPS26622, TPS26623 devices and a TVS clamp in the designs with TPS26624 and TPS26625 devices
- A low value ceramic capacitor ( $C_{\text{(IN)}}$  to approximately  $0.1\text{ }\mu\text{F}$ ) to absorb the energy and dampen the transients.

The approximate value of input capacitance can be estimated with [Equation 13](#).

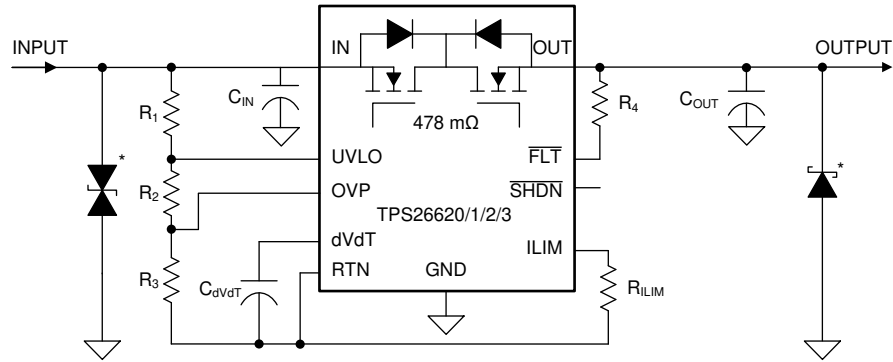
$$V_{\text{spike(Absolute)}} = V_{\text{(IN)}} + I_{\text{(Load)}} \times \sqrt{\frac{L_{\text{(IN)}}}{C_{\text{(IN)}}}} \quad (13)$$

where

- $V_{\text{(IN)}}$  is the nominal supply voltage
- $I_{\text{(LOAD)}}$  is the load current
- $L_{\text{(IN)}}$  equals the effective inductance seen looking into the source
- $C_{\text{(IN)}}$  is the capacitance present at the input

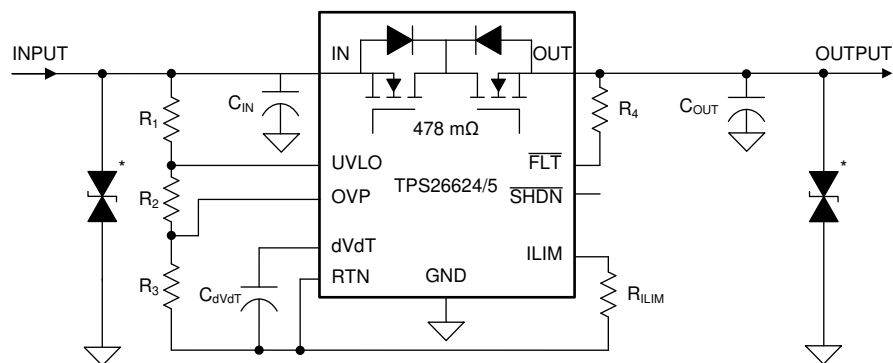
Some applications can require additional Transient Voltage Suppressor (TVS) to prevent transients from exceeding the *Absolute Maximum Ratings* of the device. These transients can occur during positive and negative surge tests on the supply lines. In such applications TI recommends to place at least  $1\text{ }\mu\text{F}$  of input capacitor to limit the falling slew rate of the input voltage within a maximum of  $20\text{ V}/\mu\text{s}$ .

The circuit implementation with optional protection components (a ceramic capacitor, TVS and Schottky diode) is shown in [Figure 11-1](#) and [Figure 11-2](#).



\* Optional components needed for suppression of transients

**Figure 11-1. Circuit Implementation With Optional Protection Components for TPS26620, TPS26621, TPS26622, and TPS26623**



\* Optional components needed for suppression of transients

**Figure 11-2. Circuit Implementation With Optional Protection Components for TPS26624 and TPS26625**

## 12 Layout

### 12.1 Layout Guidelines

- For all the applications, TI recommends a 0.1  $\mu\text{F}$  or higher value ceramic decoupling capacitor between IN terminal and GND.
- The optimum placement of decoupling capacitor is closest to the IN and GND terminals of the device. Care must be taken to minimize the loop area formed by the bypass-capacitor connection, the IN terminal, and the GND terminal of the IC. See [Figure 12-1](#) for a typical PCB layout example.
- High current carrying power path connections must be as short as possible and must be sized to carry at least twice the full-load current.
- RTN, which is the reference ground for the device must be a copper plane or island.
- Locate all the TPS2662x family support components  $R_{(\text{ILIM})}$ ,  $C_{(\text{dVdT})}$ , UVLO, OVP resistors close to their connection pin. Connect the other end of the component to the RTN with shortest trace length.
- The trace routing for the  $R_{\text{ILIM}}$  component to the device must be as short as possible to reduce parasitic effects on the current limit and current monitoring accuracy. These traces must not have any coupling to switching signals on the board.
- Protection devices such as TVS, snubbers, capacitors, or diodes must be placed physically close to the device they are intended to protect, and routed with short traces to reduce inductance. For example, TI recommends a protection Schottky diode to address negative transients due to switching of inductive loads, and it must be physically close to the OUT and GND pins.
- Thermal considerations: when properly mounted, the PowerPAD package provides significantly greater cooling ability. To operate at rated power, the PowerPAD must be soldered directly to the board RTN plane directly under the device. Other planes, such as the bottom side of the circuit board can be used to increase heat sinking in higher current applications. Designs that do not need reverse input polarity protection can have RTN, GND and PowerPAD connected together. PowerPAD in these designs can be connected to the PCB ground plane.

## 12.2 Layout Example

-  Top Layer
-  Bottom layer GND plane
-  Top Layer RTN Plane
-  Bottom Layer RTN Plane
-  Via to Bottom Layer
-  Track in bottom layer

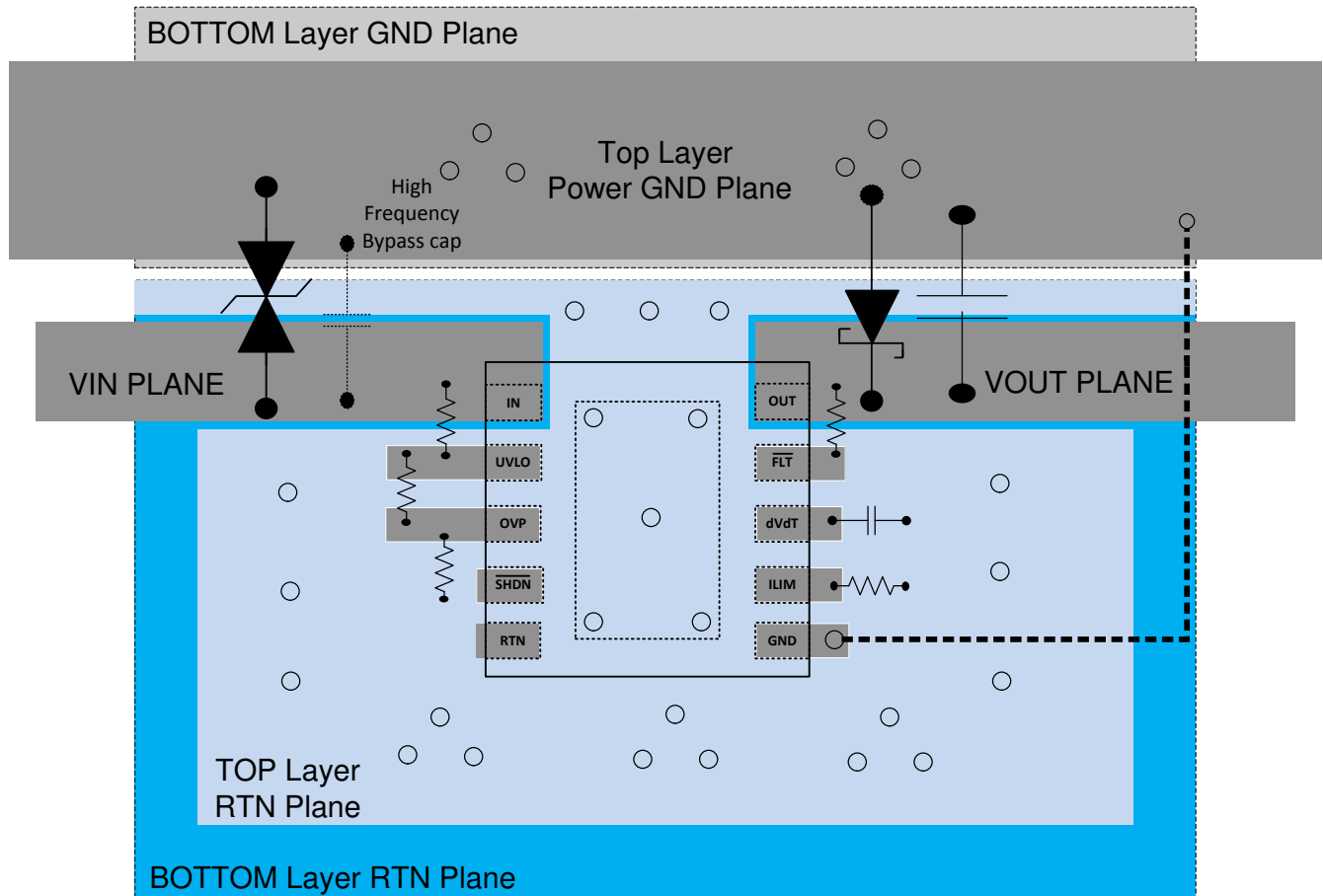


Figure 12-1. Typical PCB Layout Example With a 2 Layer PCB

## 13 Device and Documentation Support

### 13.1 Documentation Support

#### 13.1.1 Related Documentation

- Texas Instruments, [Power Stage Reference Design for Power Stealing Thermostat design guide](#)

### 13.2 Receiving Notification of Documentation Updates

To receive notification of documentation updates, navigate to the device product folder on [ti.com](#). Click on *Subscribe to updates* to register and receive a weekly digest of any product information that has changed. For change details, review the revision history included in any revised document.

### 13.3 Support Resources

[TI E2E™ support forums](#) are an engineer's go-to source for fast, verified answers and design help — straight from the experts. Search existing answers or ask your own question to get the quick design help you need.

Linked content is provided "AS IS" by the respective contributors. They do not constitute TI specifications and do not necessarily reflect TI's views; see TI's [Terms of Use](#).

### 13.4 Trademarks

PowerPAD™ and TI E2E™ are trademarks of Texas Instruments.

WEBENCH® is a registered trademark of Texas Instruments.

All trademarks are the property of their respective owners.

### 13.5 Electrostatic Discharge Caution



This integrated circuit can be damaged by ESD. Texas Instruments recommends that all integrated circuits be handled with appropriate precautions. Failure to observe proper handling and installation procedures can cause damage.

ESD damage can range from subtle performance degradation to complete device failure. Precision integrated circuits may be more susceptible to damage because very small parametric changes could cause the device not to meet its published specifications.

### 13.6 Glossary

[TI Glossary](#) This glossary lists and explains terms, acronyms, and definitions.

## 14 Mechanical, Packaging, and Orderable Information

The following pages include mechanical, packaging, and orderable information. This information is the most current data available for the designated devices. This data is subject to change without notice and revision of this document. For browser-based versions of this data sheet, refer to the left-hand navigation.

**PACKAGING INFORMATION**

Orderable Device	Status (1)	Package Type	Package Drawing	Pins	Package Qty	Eco Plan (2)	Lead finish/ Ball material (6)	MSL Peak Temp (3)	Op Temp (°C)	Device Marking (4/5)	Samples
TPS26620DRCR	ACTIVE	VSON	DRC	10	3000	RoHS & Green	NIPDAU	Level-1-260C-UNLIM	-40 to 125	ED00	<a href="#">Samples</a>
TPS26620DRCT	ACTIVE	VSON	DRC	10	250	RoHS & Green	NIPDAU	Level-1-260C-UNLIM	-40 to 125	ED00	<a href="#">Samples</a>
TPS26621DRCR	ACTIVE	VSON	DRC	10	3000	RoHS & Green	NIPDAU	Level-1-260C-UNLIM	-40 to 125	ED01	<a href="#">Samples</a>
TPS26621DRCT	ACTIVE	VSON	DRC	10	250	RoHS & Green	NIPDAU	Level-1-260C-UNLIM	-40 to 125	ED01	<a href="#">Samples</a>
TPS26622DRCR	ACTIVE	VSON	DRC	10	3000	RoHS & Green	NIPDAU	Level-1-260C-UNLIM	-40 to 125	ED02	<a href="#">Samples</a>
TPS26622DRCT	ACTIVE	VSON	DRC	10	250	RoHS & Green	NIPDAU	Level-1-260C-UNLIM	-40 to 125	ED02	<a href="#">Samples</a>
TPS26623DRCR	ACTIVE	VSON	DRC	10	3000	RoHS & Green	NIPDAU	Level-1-260C-UNLIM	-40 to 125	ED03	<a href="#">Samples</a>
TPS26623DRCT	ACTIVE	VSON	DRC	10	250	RoHS & Green	NIPDAU	Level-1-260C-UNLIM	-40 to 125	ED03	<a href="#">Samples</a>
TPS26624DRCR	ACTIVE	VSON	DRC	10	3000	RoHS & Green	NIPDAU	Level-1-260C-UNLIM	-40 to 125	ED04	<a href="#">Samples</a>
TPS26624DRCT	ACTIVE	VSON	DRC	10	250	RoHS & Green	NIPDAU	Level-1-260C-UNLIM	-40 to 125	ED04	<a href="#">Samples</a>
TPS26625DRCR	ACTIVE	VSON	DRC	10	3000	RoHS & Green	NIPDAU	Level-1-260C-UNLIM	-40 to 125	ED05	<a href="#">Samples</a>
TPS26625DRCT	ACTIVE	VSON	DRC	10	250	RoHS & Green	NIPDAU	Level-1-260C-UNLIM	-40 to 125	ED05	<a href="#">Samples</a>

(1) The marketing status values are defined as follows:

**ACTIVE:** Product device recommended for new designs.

**LIFEBUY:** TI has announced that the device will be discontinued, and a lifetime-buy period is in effect.

**NRND:** Not recommended for new designs. Device is in production to support existing customers, but TI does not recommend using this part in a new design.

**PREVIEW:** Device has been announced but is not in production. Samples may or may not be available.

**OBSELETE:** TI has discontinued the production of the device.

(2) **RoHS:** TI defines "RoHS" to mean semiconductor products that are compliant with the current EU RoHS requirements for all 10 RoHS substances, including the requirement that RoHS substance do not exceed 0.1% by weight in homogeneous materials. Where designed to be soldered at high temperatures, "RoHS" products are suitable for use in specified lead-free processes. TI may reference these types of products as "Pb-Free".

**RoHS Exempt:** TI defines "RoHS Exempt" to mean products that contain lead but are compliant with EU RoHS pursuant to a specific EU RoHS exemption.

**Green:** TI defines "Green" to mean the content of Chlorine (Cl) and Bromine (Br) based flame retardants meet JS709B low halogen requirements of <=1000ppm threshold. Antimony trioxide based flame retardants must also meet the <=1000ppm threshold requirement.

- (3) MSL, Peak Temp. - The Moisture Sensitivity Level rating according to the JEDEC industry standard classifications, and peak solder temperature.
- (4) There may be additional marking, which relates to the logo, the lot trace code information, or the environmental category on the device.
- (5) Multiple Device Markings will be inside parentheses. Only one Device Marking contained in parentheses and separated by a "~" will appear on a device. If a line is indented then it is a continuation of the previous line and the two combined represent the entire Device Marking for that device.
- (6) Lead finish/Ball material - Orderable Devices may have multiple material finish options. Finish options are separated by a vertical ruled line. Lead finish/Ball material values may wrap to two lines if the finish value exceeds the maximum column width.

**Important Information and Disclaimer:**The information provided on this page represents TI's knowledge and belief as of the date that it is provided. TI bases its knowledge and belief on information provided by third parties, and makes no representation or warranty as to the accuracy of such information. Efforts are underway to better integrate information from third parties. TI has taken and continues to take reasonable steps to provide representative and accurate information but may not have conducted destructive testing or chemical analysis on incoming materials and chemicals. TI and TI suppliers consider certain information to be proprietary, and thus CAS numbers and other limited information may not be available for release.

In no event shall TI's liability arising out of such information exceed the total purchase price of the TI part(s) at issue in this document sold by TI to Customer on an annual basis.

**TAPE AND REEL INFORMATION**

**QUADRANT ASSIGNMENTS FOR PIN 1 ORIENTATION IN TAPE**


\*All dimensions are nominal

Device	Package Type	Package Drawing	Pins	SPQ	Reel Diameter (mm)	Reel Width W1 (mm)	A0 (mm)	B0 (mm)	K0 (mm)	P1 (mm)	W (mm)	Pin1 Quadrant
TPS26620DRCR	VSON	DRC	10	3000	330.0	12.4	3.3	3.3	1.1	8.0	12.0	Q2
TPS26620DRCT	VSON	DRC	10	250	180.0	12.4	3.3	3.3	1.1	8.0	12.0	Q2
TPS26621DRCR	VSON	DRC	10	3000	330.0	12.4	3.3	3.3	1.1	8.0	12.0	Q2
TPS26621DRCT	VSON	DRC	10	250	180.0	12.4	3.3	3.3	1.1	8.0	12.0	Q2
TPS26622DRCR	VSON	DRC	10	3000	330.0	12.4	3.3	3.3	1.1	8.0	12.0	Q2
TPS26622DRCT	VSON	DRC	10	250	180.0	12.4	3.3	3.3	1.1	8.0	12.0	Q2
TPS26623DRCR	VSON	DRC	10	3000	330.0	12.4	3.3	3.3	1.1	8.0	12.0	Q2
TPS26623DRCT	VSON	DRC	10	250	180.0	12.4	3.3	3.3	1.1	8.0	12.0	Q2
TPS26624DRCR	VSON	DRC	10	3000	330.0	12.4	3.3	3.3	1.1	8.0	12.0	Q2
TPS26624DRCT	VSON	DRC	10	250	180.0	12.4	3.3	3.3	1.1	8.0	12.0	Q2
TPS26625DRCR	VSON	DRC	10	3000	330.0	12.4	3.3	3.3	1.1	8.0	12.0	Q2
TPS26625DRCT	VSON	DRC	10	250	180.0	12.4	3.3	3.3	1.1	8.0	12.0	Q2



**TAPE AND REEL BOX DIMENSIONS**


\*All dimensions are nominal

Device	Package Type	Package Drawing	Pins	SPQ	Length (mm)	Width (mm)	Height (mm)
TPS26620DRCR	VSON	DRC	10	3000	367.0	367.0	35.0
TPS26620DRCT	VSON	DRC	10	250	210.0	185.0	35.0
TPS26621DRCR	VSON	DRC	10	3000	367.0	367.0	35.0
TPS26621DRCT	VSON	DRC	10	250	210.0	185.0	35.0
TPS26622DRCR	VSON	DRC	10	3000	367.0	367.0	35.0
TPS26622DRCT	VSON	DRC	10	250	210.0	185.0	35.0
TPS26623DRCR	VSON	DRC	10	3000	367.0	367.0	35.0
TPS26623DRCT	VSON	DRC	10	250	210.0	185.0	35.0
TPS26624DRCR	VSON	DRC	10	3000	367.0	367.0	35.0
TPS26624DRCT	VSON	DRC	10	250	210.0	185.0	35.0
TPS26625DRCR	VSON	DRC	10	3000	367.0	367.0	35.0
TPS26625DRCT	VSON	DRC	10	250	210.0	185.0	35.0

## GENERIC PACKAGE VIEW

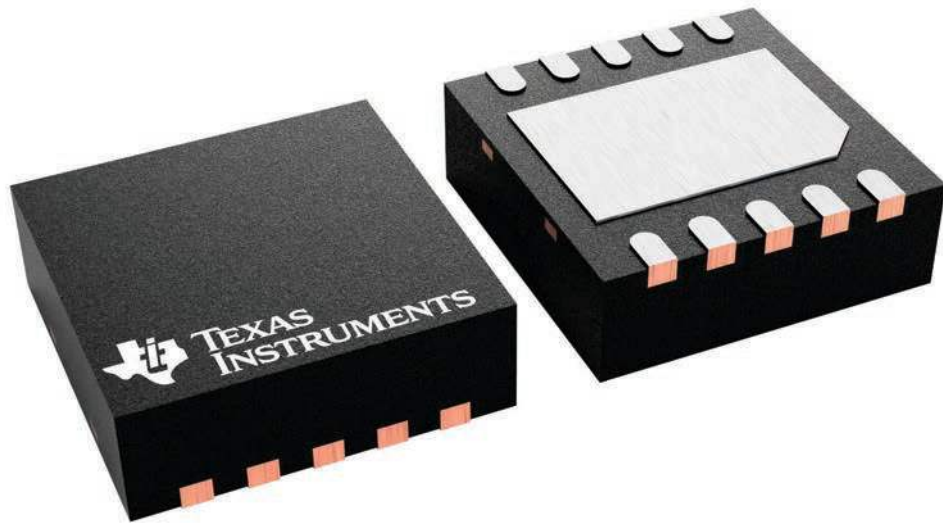
**DRC 10**

**VSON - 1 mm max height**

3 x 3, 0.5 mm pitch

PLASTIC SMALL OUTLINE - NO LEAD

This image is a representation of the package family, actual package may vary.  
Refer to the product data sheet for package details.



4226193/A

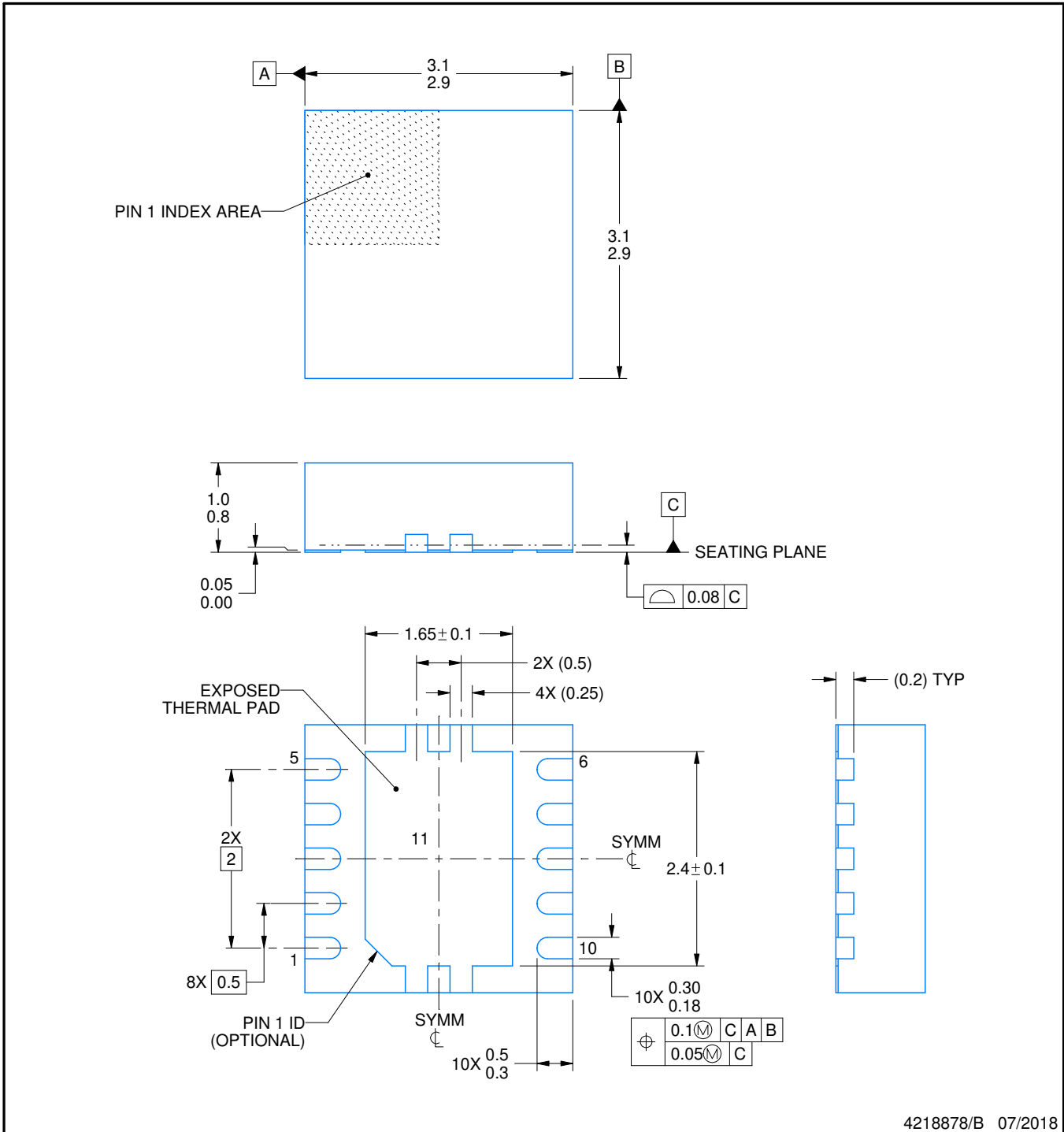
DRC0010J



PACKAGE OUTLINE

VSON - 1 mm max height

PLASTIC SMALL OUTLINE - NO LEAD



4218878/B 07/2018

NOTES:

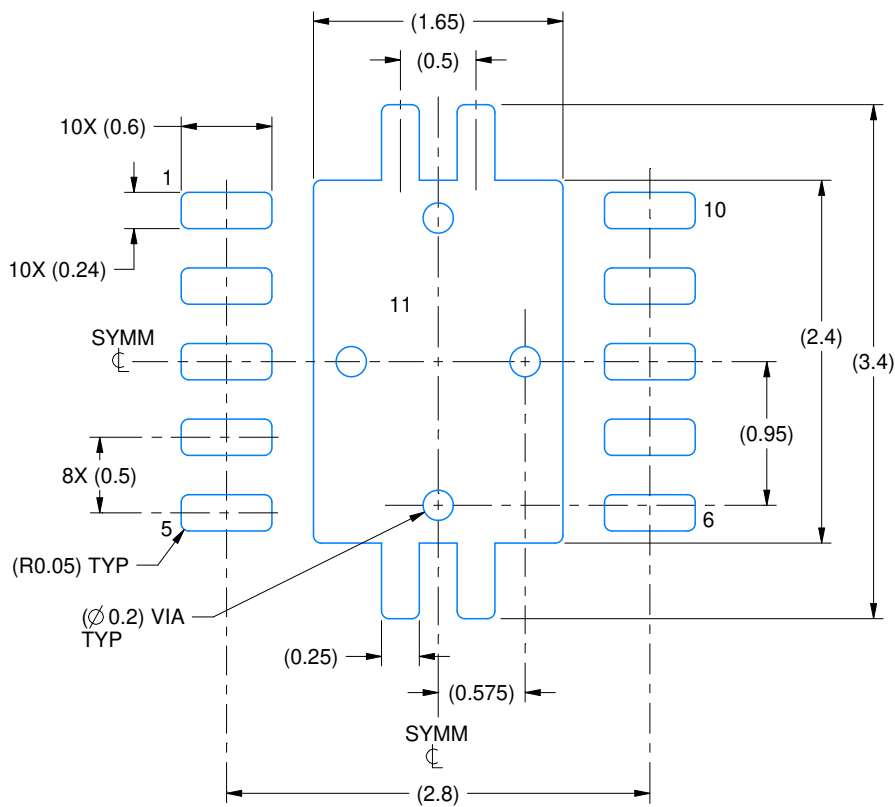
1. All linear dimensions are in millimeters. Any dimensions in parenthesis are for reference only. Dimensioning and tolerancing per ASME Y14.5M.
2. This drawing is subject to change without notice.
3. The package thermal pad must be soldered to the printed circuit board for optimal thermal and mechanical performance.

# EXAMPLE BOARD LAYOUT

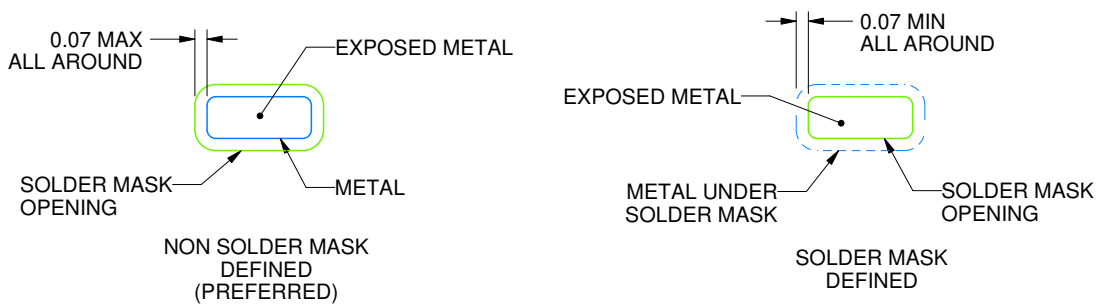
DRC0010J

VSON - 1 mm max height

PLASTIC SMALL OUTLINE - NO LEAD



LAND PATTERN EXAMPLE  
EXPOSED METAL SHOWN  
SCALE:20X



SOLDER MASK DETAILS

4218878/B 07/2018

NOTES: (continued)

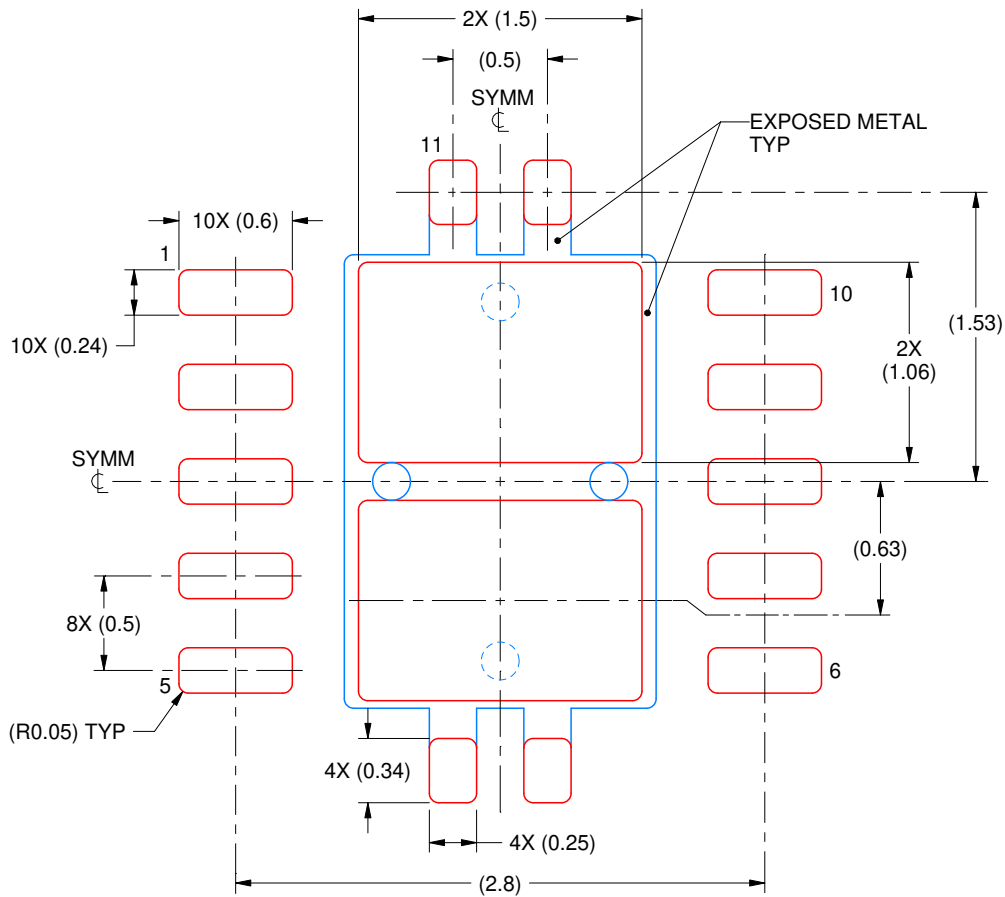
4. This package is designed to be soldered to a thermal pad on the board. For more information, see Texas Instruments literature number SLUA271 ([www.ti.com/lit/sluea271](http://www.ti.com/lit/sluea271)).
5. Vias are optional depending on application, refer to device data sheet. If any vias are implemented, refer to their locations shown on this view. It is recommended that vias under paste be filled, plugged or tented.

# EXAMPLE STENCIL DESIGN

DRC0010J

VSON - 1 mm max height

PLASTIC SMALL OUTLINE - NO LEAD



SOLDER PASTE EXAMPLE  
BASED ON 0.125 mm THICK STENCIL

EXPOSED PAD 11:  
80% PRINTED SOLDER COVERAGE BY AREA  
SCALE:25X

4218878/B 07/2018

NOTES: (continued)

6. Laser cutting apertures with trapezoidal walls and rounded corners may offer better paste release. IPC-7525 may have alternate design recommendations.

## IMPORTANT NOTICE AND DISCLAIMER

TI PROVIDES TECHNICAL AND RELIABILITY DATA (INCLUDING DATA SHEETS), DESIGN RESOURCES (INCLUDING REFERENCE DESIGNS), APPLICATION OR OTHER DESIGN ADVICE, WEB TOOLS, SAFETY INFORMATION, AND OTHER RESOURCES "AS IS" AND WITH ALL FAULTS, AND DISCLAIMS ALL WARRANTIES, EXPRESS AND IMPLIED, INCLUDING WITHOUT LIMITATION ANY IMPLIED WARRANTIES OF MERCHANTABILITY, FITNESS FOR A PARTICULAR PURPOSE OR NON-INFRINGEMENT OF THIRD PARTY INTELLECTUAL PROPERTY RIGHTS.

These resources are intended for skilled developers designing with TI products. You are solely responsible for (1) selecting the appropriate TI products for your application, (2) designing, validating and testing your application, and (3) ensuring your application meets applicable standards, and any other safety, security, regulatory or other requirements.

These resources are subject to change without notice. TI grants you permission to use these resources only for development of an application that uses the TI products described in the resource. Other reproduction and display of these resources is prohibited. No license is granted to any other TI intellectual property right or to any third party intellectual property right. TI disclaims responsibility for, and you will fully indemnify TI and its representatives against, any claims, damages, costs, losses, and liabilities arising out of your use of these resources.

TI's products are provided subject to [TI's Terms of Sale](#) or other applicable terms available either on [ti.com](https://www.ti.com) or provided in conjunction with such TI products. TI's provision of these resources does not expand or otherwise alter TI's applicable warranties or warranty disclaimers for TI products.

TI objects to and rejects any additional or different terms you may have proposed.

Mailing Address: Texas Instruments, Post Office Box 655303, Dallas, Texas 75265  
Copyright © 2023, Texas Instruments Incorporated