

# Pull Chain Switches

## Single Pole



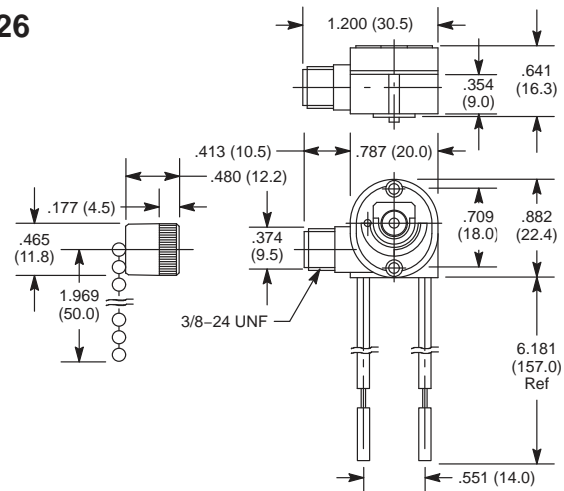
### Features

- Steel Chain w/Rope Cord



NTE Type No.	Circuitry	Action		Base	Cover		Diag No.
					Material	Color	
54-538	SPST	ON	OFF	Nylon 66	Nylon 66	Transparent	S26
54-539	SPST	ON	OFF	Nylon 66	Nylon 66	Black	S26

## S26



## Specifications

- Current Rating:** 6A 125VAC, 3A 250VAC
- Contact Resistance:** 50 Milliohms initial (max.)
- Insulation Resistance:** 100 Megohms (min.) at 500VDC
- Dielectric Strength:** 1000V RMS (min.) for 1 minute
- Operation Force:** 400 plus/minus 200 gram
- Temperature Rating:** +32° to +149°F (0° to +65°C)
- Electrical Life:** 6000 cycles
- Mechanical Life:** 50,000 cycles
- Terminal Type:** 18 AWG, 6" length
- Mounting Hole:** .393 (10.0)

## Single Pole



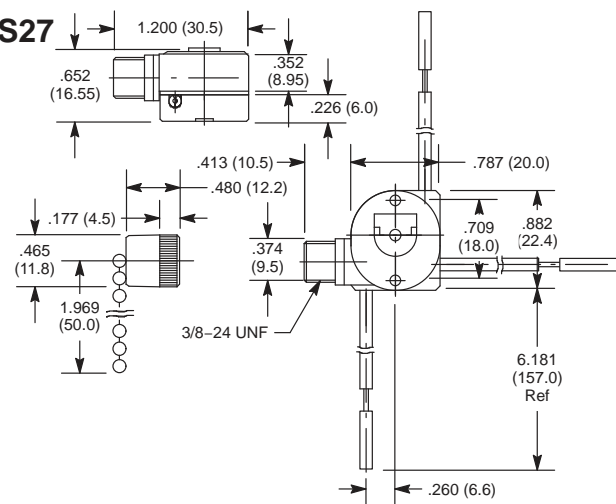
### Features

- Sequence - Load 1 On, Load 2 On, Load 1 & 2 On, All Off
- For Use in Ceiling Fan Applications



NTE Type No.	Sequence				Base	Cover		Diag No.
	Load 1	Load 2	Load 1 & 2	All		Material	Color	
54-540	ON	ON	ON	OFF	Nylon 66	Nylon 66	Black	S27

## S27



## Specifications

- Current Rating:** 6A 125VAC, 3A 250VAC
- Contact Resistance:** 50 Milliohms initial (max.)
- Insulation Resistance:** 100 Megohms (min.) at 500VDC
- Dielectric Strength:** 1000V RMS (min.) for 1 minute
- Operation Force:** 400 plus/minus 200 gram
- Temperature Rating:** +32° to +149°F (0° to +65°C)
- Electrical Life:** 6000 cycles
- Mechanical Life:** 50,000 cycles
- Terminal Type:** 18 AWG, 6" length
- Mounting Hole:** .393 (10.0)