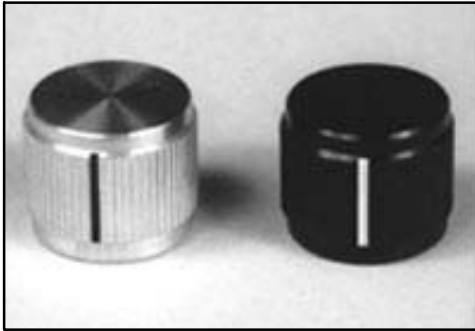


Features

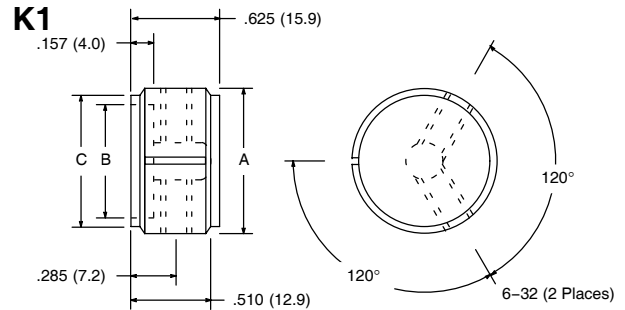
- .500", .750", and .925" Dia. types
- Available in natural aluminum (clear) or black
- Available in matte or gloss finish



KILO

DD Series

Knob – Machined Aluminum



KILO No.	NTE Part No.	Dimensions in inches (mm)				Finish
		Diameter (A)	B	C	Shaft Dia.	
DD-50-1-6	504-0001	.500 (12.7)	.375 (9.3)	.445 (11.3)	.125 (3.2)	Clear Gloss
DD-50-2-5	504-0002	.500 (12.7)	.375 (9.3)	.445 (11.3)	.250 (6.35)	Black Gloss
DD-50-2-6	504-0003	.500 (12.7)	.375 (9.3)	.445 (11.3)	.125 (3.2)	Black Gloss
DD-50-4-5	504-0004	.500 (12.7)	.375 (9.3)	.445 (11.3)	.250 (6.35)	Black Matte
DD-50-4-6	504-0005	.500 (12.7)	.375 (9.3)	.445 (11.3)	.125 (3.2)	Black Matte
DD-75-1-5	504-0006	.750 (19.05)	.590 (15.0)	.695 (17.7)	.250 (6.35)	Clear Gloss
DD-75-1-6	504-0007	.750 (19.05)	.590 (15.0)	.695 (17.7)	.125 (3.2)	Clear Gloss
DD-75-2-5	504-0008	.750 (19.05)	.590 (15.0)	.695 (17.7)	.250 (6.35)	Black Gloss
DD-75-4-5	504-0009	.750 (19.05)	.590 (15.0)	.695 (17.7)	.250 (6.35)	Black Matte
DD-90-1-5	504-0010	.925 (23.5)	.708 (17.9)	.882 (22.4)	.250 (6.35)	Clear Gloss
DD-90-2-5	504-0011	.925 (23.5)	.708 (17.9)	.882 (22.4)	.250 (6.35)	Black Gloss
DD-90-4-5	504-0012	.925 (23.5)	.708 (17.9)	.882 (22.4)	.250 (6.35)	Black Matte

Features

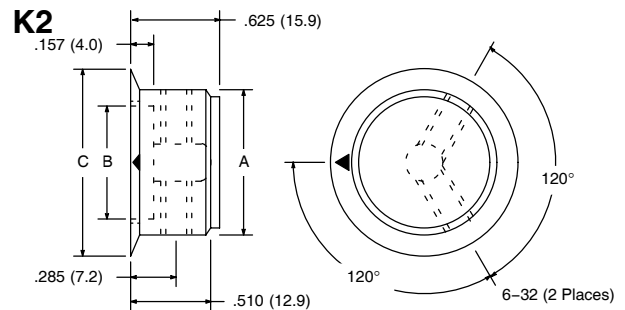
- .500", .750", and .925" Dia. types
- Available in natural aluminum (clear) or black
- Available in matte or gloss finish



KILO

DDS Series

Knob – Machined Aluminum



KILO No.	NTE Part No.	Dimensions in inches (mm)				Finish
		Diameter (A)	B	C	Shaft Dia.	
DDS-50-1-6	504-0015	.500 (12.7)	.375 (9.3)	.685 (17.4)	.125 (3.2)	Clear Gloss
DDS-50-2-5	504-0016	.500 (12.7)	.375 (9.3)	.685 (17.4)	.250 (6.35)	Black Gloss
DDS-50-2-6	504-0017	.500 (12.7)	.375 (9.3)	.685 (17.4)	.125 (3.2)	Black Gloss
DDS-50-4-6	504-0018	.500 (12.7)	.375 (9.3)	.685 (17.4)	.125 (3.2)	Black Matte
DDS-75-1-5	504-0019	.750 (19.05)	.590 (15.0)	1.000 (25.4)	.250 (6.35)	Clear Gloss
DDS-75-2-5	504-0020	.750 (19.05)	.590 (15.0)	1.000 (25.4)	.250 (6.35)	Black Gloss
DDS-75-2-6	504-0021	.750 (19.05)	.590 (15.0)	1.000 (25.4)	.125 (3.2)	Black Gloss
DDS-75-3-6	504-0022	.750 (19.05)	.590 (15.0)	1.000 (25.4)	.125 (3.2)	Clear Matte
DDS-75-4-5	504-0023	.750 (19.05)	.590 (15.0)	1.000 (25.4)	.250 (6.35)	Black Matte
DDS-75-4-6	504-0024	.750 (19.05)	.590 (15.0)	1.000 (25.4)	.125 (3.2)	Black Matte
DDS-90-1-5	504-0025	.925 (23.5)	.708 (17.9)	1.250 (31.7)	.250 (6.35)	Clear Gloss
DDS-90-2-5	504-0026	.925 (23.5)	.708 (17.9)	1.250 (31.7)	.250 (6.35)	Black Gloss
DDS-90-4-5	504-0027	.925 (23.5)	.708 (17.9)	1.250 (31.7)	.250 (6.35)	Black Matte
DDS-90-4-6	504-0028	.925 (23.5)	.708 (17.9)	1.250 (31.7)	.125 (3.2)	Black Matte