



SC70/ μ DFN, Single/Dual Low-Voltage, Low-Power μ P Reset Circuits

General Description

The MAX6381–MAX6390 microprocessor (μ P) supervisory circuits monitor power-supply voltages from +1.8V to +5.0V while consuming only 3 μ A of supply current at +1.8V. Whenever V_{CC} falls below the factory-set reset thresholds, the reset output asserts and remains asserted for a minimum reset timeout period after V_{CC} rises above the reset threshold. Reset thresholds are available from +1.58V to +4.63V, in approximately 100mV increments. Seven minimum reset timeout delays ranging from 1ms to 1200ms are available.

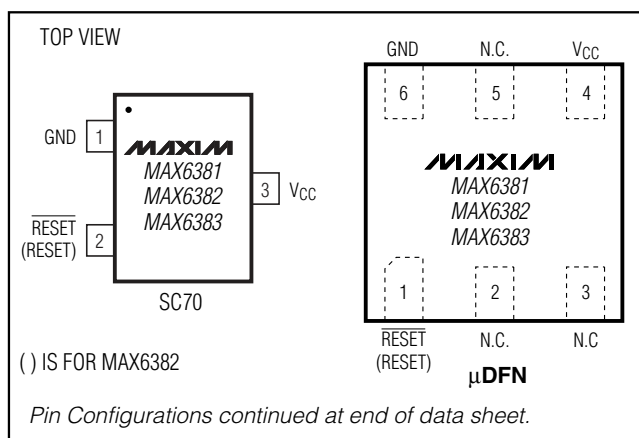
The MAX6381/MAX6384/MAX6387 have a push-pull active-low reset output. The MAX6382/MAX6385/MAX6388 have a push-pull active-high reset output, and the MAX6383/MAX6386/MAX6389/MAX6390 have an open-drain active-low reset output. The MAX6384/MAX6385/MAX6386 also feature a debounced manual reset input (with internal pullup resistor). The MAX6387/MAX6388/MAX6389 have an auxiliary input for monitoring a second voltage. The MAX6390 offers a manual reset input with a longer V_{CC} reset timeout period (1120ms or 1200ms) and a shorter manual reset timeout (140ms or 150ms).

The MAX6381/MAX6382/MAX6383 are available in 3-pin SC70 and 6-pin μ DFN packages and the MAX6384–MAX6390 are available in 4-pin SC70 and 6-pin μ DFN packages.

Applications

Computers	Critical μ P and μ C
Controllers	Power Monitoring
Intelligent Instruments	Portable/Battery-Powered Equipment
	Dual Voltage Systems

Pin Configurations



Features

- ◆ Factory-Set Reset Threshold Voltages Ranging from +1.58V to +4.63V in Approximately 100mV Increments
- ◆ $\pm 2.5\%$ Reset Threshold Accuracy Over Temperature (-40°C to +125°C)
- ◆ Seven Reset Timeout Periods Available: 1ms, 20ms, 140ms, 280ms, 560ms, 1120ms, 1200ms (min)
- ◆ 3 Reset Output Options
 - Active-Low Push-Pull
 - Active-High Push-Pull
 - Active-Low Open-Drain
- ◆ Reset Output State Guaranteed Valid Down to $V_{CC} = 1V$
- ◆ Manual Reset Input (MAX6384/MAX6385/MAX6386)
- ◆ Auxiliary RESET IN (MAX6387/MAX6388/MAX6389)
- ◆ V_{CC} Reset Timeout (1120ms or 1200ms)/Manual Reset Timeout (140ms or 150ms) (MAX6390)
- ◆ Negative-Going V_{CC} Transient Immunity
- ◆ Low Power Consumption of 6 μ A at +3.6V and 3 μ A at +1.8V
- ◆ Pin Compatible with MAX809/MAX810/MAX803/MAX6326/MAX6327/MAX6328/MAX6346/MAX6347/MAX6348, and MAX6711/MAX6712/MAX6713
- ◆ Tiny 3-Pin/4-Pin SC70 and 6-Pin μ DFN Packages

Ordering Information

PART	TEMP RANGE	PIN-PACKAGE	PKG CODE
MAX6381LT_ _D_+T	-40°C to +125°C	6 μ DFN-6	L611-1
MAX6381XR_ _D_+T	-40°C to +125°C	3 SC70-3	X3-2
MAX6382LT_ _D_+T	-40°C to +125°C	6 μ DFN-6	L611-1
MAX6382XR_ _D_+T	-40°C to +125°C	3 SC70-3	X3-2

Note: Insert reset threshold suffix (see Reset Threshold table) after "XR", "XS", or "LT." Insert reset timeout delay (see Reset Timeout Delay table) after "D" to complete the part number. Sample stock is generally held on standard versions only (see Standard Versions table). Standard versions have an order increment requirement of 2500 pieces. Nonstandard versions have an order increment requirement of 10,000 pieces. Contact factory for availability of nonstandard versions.

+Denotes a lead-free package.

Ordering Information continued at end of data sheet.
Typical Operating Circuit appears at end of data sheet.
Selector Guide appears at end of data sheet.

SC70/ μ DFN, Single/Dual Low-Voltage, Low-Power μ P Reset Circuits

ABSOLUTE MAXIMUM RATINGS

V_{CC} to GND	-0.3V to +6.0V
RESET Open-Drain Output	-0.3V to +6.0V
RESET, RESET (push-pull output)	-0.3V to (V_{CC} + 0.3V)
MR, RESET IN	-0.3V to (V_{CC} + 0.3V)
Input Current (V_{CC})	20mA
Output Current (all pins)	20mA

Continuous Power Dissipation ($T_A = +70^\circ\text{C}$)	
3-Pin SC70 (derate 2.9mW/ $^\circ\text{C}$ above $+70^\circ\text{C}$)	235mW
4-Pin SC70 (derate 3.1mW/ $^\circ\text{C}$ above $+70^\circ\text{C}$)	245mW
6-Pin μ DFN (derate 2.1mW/ $^\circ\text{C}$ above $+70^\circ\text{C}$)	167.7mW
Operating Temperature Range	-40°C to $+125^\circ\text{C}$
Storage Temperature Range	-65°C to $+150^\circ\text{C}$
Lead Temperature (soldering, 10s)	$+300^\circ\text{C}$

Stresses beyond those listed under "Absolute Maximum Ratings" may cause permanent damage to the device. These are stress ratings only, and functional operation of the device at these or any other conditions beyond those indicated in the operational sections of the specifications is not implied. Exposure to absolute maximum rating conditions for extended periods may affect device reliability.

ELECTRICAL CHARACTERISTICS

(V_{CC} = full range, $T_A = -40^\circ\text{C}$ to $+125^\circ\text{C}$, unless otherwise specified. Typical values are at $T_A = +25^\circ\text{C}$.) (Note 1)

PARAMETER	SYMBOL	CONDITIONS	MIN	TYP	MAX	UNITS
Operating Voltage Range	V_{CC}		1.0		5.5	V
V_{CC} Supply Current	I_{CC}	$V_{CC} = 5.5\text{V}$, no load		7	13	μA
		$V_{CC} = 3.6\text{V}$, no load		6	11	
		$V_{CC} = 2.5\text{V}$, no load		4	7	
		$V_{CC} = 1.8\text{V}$, no load		3	6	
V_{CC} Reset Threshold (See Reset Thresholds table)	V_{TH}	$T_A = +25^\circ\text{C}$	$V_{TH} - 1.5\%$	V_{TH}	$V_{TH} + 1.5\%$	V
		$T_A = -40^\circ\text{C}$ to $+125^\circ\text{C}$	$V_{TH} - 2.5\%$	V_{TH}	$V_{TH} + 2.5\%$	
Reset Threshold Tempco	$\Delta V_{TH}/^\circ\text{C}$			60		ppm/ $^\circ\text{C}$
V_{CC} to Reset Delay		V_{CC} falling at $10\text{mV}/\mu\text{s}$ from $V_{TH} + 100\text{mV}$ to $V_{TH} - 100\text{mV}$		35		μs
Reset Timeout Period MAX6381-MAX6389 (See Reset Timeout table)	t_{RP}	D1	1		2	ms
		D2	20		40	
		D3	140		280	
		D5	280		560	
		D6	560		1120	
		D4	1120		2240	
		D7	1200		2400	
Reset Timeout Period MAX6390	t_{RP}	$\overline{\text{MR}}$ timeout period	D4	140	280	ms
			D7	150	300	
		V_{CC} timeout period	D4	1120	2240	
			D7	1200	2400	
$\overline{\text{MR}}$ Input Voltage	V_{IL}	$V_{TH} < 4\text{V}$			$0.3 \times V_{CC}$	V
	V_{IH}			$0.7 \times V_{CC}$		
	V_{IL}	$V_{TH} > 4\text{V}$			0.8	
	V_{IH}			2.4		

SC70/ μ DFN, Single/Dual Low-Voltage, Low-Power μ P Reset Circuits

MAX6381-MAX6390

ELECTRICAL CHARACTERISTICS (continued)

(V_{CC} = full range, T_A = -40°C to +125°C, unless otherwise specified. Typical values are at T_A = +25°C.) (Note 1)

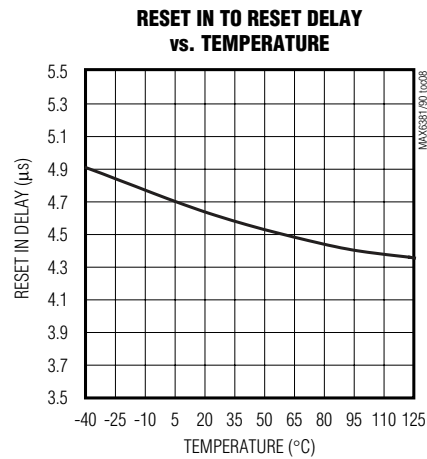
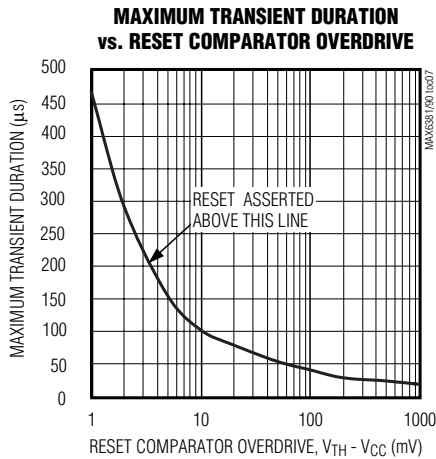
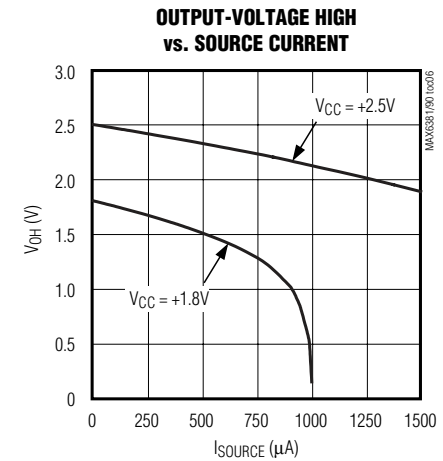
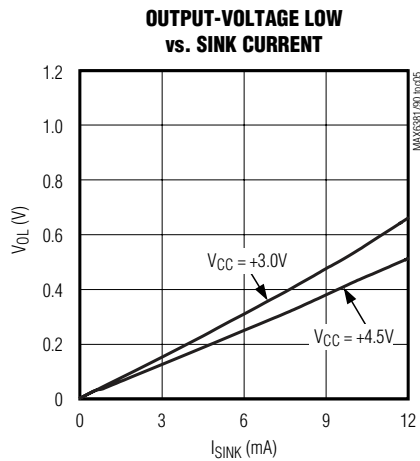
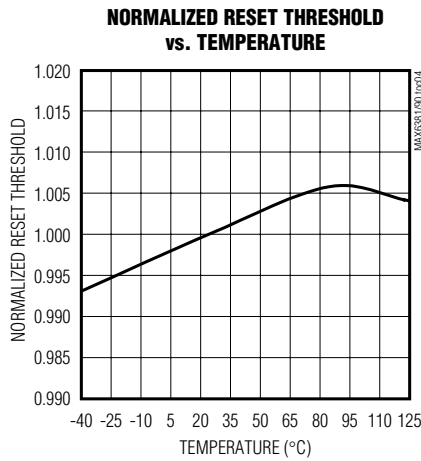
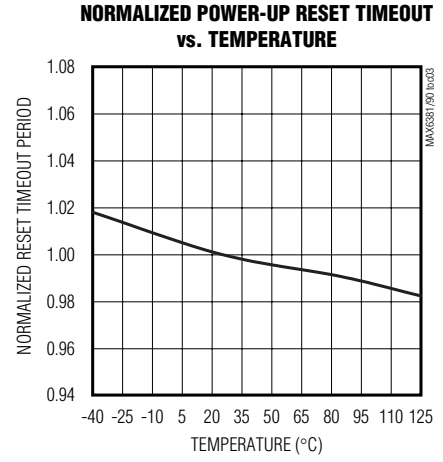
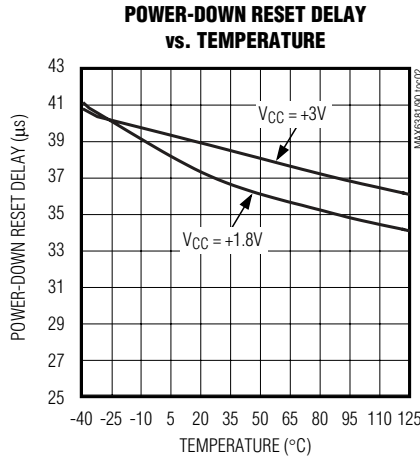
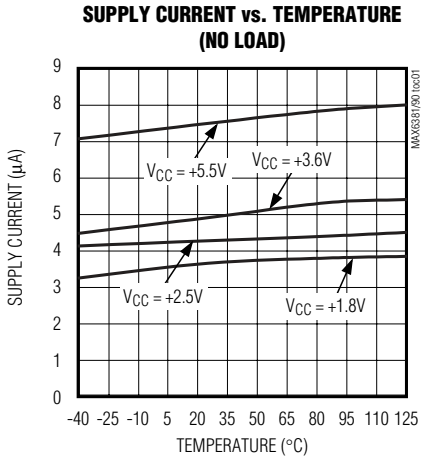
PARAMETER	SYMBOL	CONDITIONS	MIN	TYP	MAX	UNITS	
\overline{MR} Minimum Input Pulse Width			1			μ s	
\overline{MR} Glitch Rejection				100		ns	
\overline{MR} to Reset Delay				200		ns	
\overline{MR} Internal Pullup Resistance		MAX6381-MAX6389	32	63	100	k Ω	
		MAX6390	500	1560	3000	Ω	
RESET IN Input Threshold	V_{THRST}	T_A = +25°C	1.245	1.27	1.295	V	
		T_A = 0°C to +85°C	1.232		1.308		
		T_A = -40°C to +125°C	1.219		1.321		
RESET IN to RESET Delay		$V_{RESETIN}$ falling at 4mV/ μ s from $V_{THRST} + 40$ mV to $V_{THRST} - 40$ mV		4.5		μ s	
RESET IN Input Leakage Current	$I_{RESETIN}$		-50	± 1	+50	nA	
Open-Drain \overline{RESET} Output Voltage	V_{OL}	$V_{CC} \geq 4.5$ V, $I_{SINK} = 3.2$ mA, reset asserted			0.4	V	
		$V_{CC} \geq 2.5$ V, $I_{SINK} = 1.2$ mA, reset asserted			0.3		
		$V_{CC} \geq 1.0$ V, $I_{SINK} = 80$ μ A, reset asserted			0.3		
Open-Drain \overline{RESET} Output Leakage Current	I_{LKG}	$V_{CC} > V_{TH}$, \overline{RESET} not asserted			1.0	μ A	
Push-Pull \overline{RESET} Output Voltage	V_{OL}	$V_{CC} \geq 4.5$ V, $I_{SINK} = 3.2$ mA, reset asserted			0.4	V	
		$V_{CC} \geq 2.5$ V, $I_{SINK} = 1.2$ mA, reset asserted			0.3		
		$V_{CC} \geq 1.0$ V, $I_{SINK} = 80$ μ A, reset asserted			0.3		
	V_{OH}	$V_{CC} \geq 4.5$ V, $I_{SOURCE} = 800$ μ A, reset not asserted		0.8 x V_{CC}			
		$V_{CC} \geq 2.5$ V, $I_{SOURCE} = 500$ μ A, reset not asserted		0.8 x V_{CC}			
Push-Pull RESET Output Voltage	V_{OH}	$V_{CC} \geq 4.5$ V, $I_{SOURCE} = 800$ μ A, reset asserted		0.8 x V_{CC}		V	
		$V_{CC} \geq 2.5$ V, $I_{SOURCE} = 500$ μ A, reset asserted		0.8 x V_{CC}			
		$V_{CC} \geq 1.8$ V, $I_{SOURCE} = 150$ μ A, reset asserted		0.8 x V_{CC}			
		$V_{CC} \geq 1.0$ V, $I_{SOURCE} = 1$ μ A, reset asserted		0.8 x V_{CC}			
	V_{OL}	$V_{CC} \geq 4.5$ V, $I_{SINK} = 3.2$ mA, reset not asserted			0.4		
		$V_{CC} \geq 2.5$ V, $I_{SINK} = 1.2$ mA, reset not asserted			0.3		

Note 1: Specifications over temperature are guaranteed by design, not production tested.

SC70/ μ DFN, Single/Dual Low-Voltage, Low-Power μ P Reset Circuits

Typical Operating Characteristics

($T_A = +25^\circ\text{C}$, unless otherwise noted.)



SC70/ μ DFN, Single/Dual Low-Voltage, Low-Power μ P Reset Circuits

Pin Description

MAX6381-MAX6390

μ DFN	PIN						NAME	FUNCTION
	3-PIN SC70		4-PIN SC70					
	MAX6381/ MAX6383	MAX6382	MAX6384/ MAX6386/ MAX6390	MAX6385	MAX6387/ MAX689	MAX6388		
1 (MAX6382/ MAX6385/ MAX6388)		2	—	2	—	2	RESET	Active-High Push-Pull Reset Output. RESET changes from low to high when any monitored voltage (V_{CC} or $V_{RESETIN}$) drops below the reset threshold or \overline{MR} is pulled low. RESET remains high for the reset timeout period after monitored voltages exceed the reset thresholds or \overline{MR} is released.
1 (MAX6381/ MAX6383/ MAX6384/ MAX6386/ MAX6387/ MAX6390)	2	—	2	—	2	—	\overline{RESET}	Active-Low Open-Drain/Push-Pull Reset Output. \overline{RESET} changes from high to low when any monitored voltage (V_{CC} or $V_{RESETIN}$) drops below the reset threshold or \overline{MR} is pulled low. \overline{RESET} remains low for the reset timeout period after the monitored voltages exceed the reset thresholds or \overline{MR} is released. Open-drain requires an external pullup resistor.
2, 3, 5 (MAX6381/ MAX6382/ MAX6383)	—	—	—	—	—	—	N.C.	No Connection. Not Internally connected.
2, 5 (MAX6384- MAX6390)								
3 (MAX6384/ MAX6385/ MAX6386/ MAX6390)	—	—	3	3	—	—	\overline{MR}	Active-Low Manual Reset Input. Drive low to force a reset. Reset remains active as long as \overline{MR} is low and for the reset timeout period after \overline{MR} is released. Leave unconnected or connect to V_{CC} if unused. \overline{MR} has an internal $63k\Omega$ ($1.56k\Omega$ for MAX6390) pullup resistor to V_{CC} .
3 (MAX6387/ MAX6388/ MAX6389)	—	—	—	—	3	3	RESET IN	Auxiliary Reset Input. High-impedance input to the auxiliary reset comparator. Connect RESET IN to the center point of an external resistor voltage-divider network to set the reset threshold voltage. Reset asserts when either V_{CC} or RESET IN falls below its threshold voltage.
4 (MAX6381- MAX6390)	3	3	4	4	4	4	V_{CC}	Supply Voltage for the device and input for fixed V_{CC} reset threshold monitor.
6 (MAX6381- MAX6390)	1	1	1	1	1	1	GND	Ground

SC70/ μ DFN, Single/Dual Low-Voltage, Low-Power μ P Reset Circuits

Detailed Description

RESET Output

A μ P reset input starts the μ P in a known state. These μ P supervisory circuits assert reset to prevent code execution errors during power-up, power-down, or brownout conditions.

Reset asserts when V_{CC} is below the reset threshold; once V_{CC} exceeds the reset threshold, an internal timer keeps the reset output asserted for the reset timeout period. After this interval, reset output deasserts. Reset output is guaranteed to be in the correct logic state for $V_{CC} \geq 1V$.

Manual Reset Input (MAX6384/MAX6385/MAX6386/MAX6390)

Many μ P-based products require manual reset capability, allowing the operator, a test technician, or external logic circuitry to initiate a reset. A logic low on \overline{MR} asserts reset. Reset remains asserted while \overline{MR} is low, and for the reset active timeout period (t_{RP}) after \overline{MR} returns high. This input has an internal 63k Ω pullup resistor (1.56k Ω for MAX6390), so it can be left unconnected if it is not used. \overline{MR} can be driven with TTL or CMOS logic levels, or with open-drain/collector outputs. Connect a normally open momentary switch from \overline{MR} to GND to create a manual-reset function; external debounce circuitry is not required. If \overline{MR} is driven from long cables or if the device is used in a noisy environment, connecting a 0.1 μ F capacitor from \overline{MR} to GND provides additional noise immunity.

RESET IN Comparator (MAX6387/MAX6388/MAX6389)

RESET IN is compared to an internal +1.27V reference. If the voltage at RESET IN is less than 1.27V, reset asserts. Use the RESET IN comparator as a user-adjustable reset detector or as a secondary power-supply monitor by implementing a resistor-divider at RESET IN (shown in Figure 1). Reset asserts when either V_{CC} or RESET IN falls below its respective threshold voltage. Use the following equation to set the threshold:

$$V_{INTH} = V_{THRST} (R1/R2 + 1)$$

where $V_{THRST} = +1.27V$. To simplify the resistor selection, choose a value of $R2$ and calculate $R1$:

$$R1 = R2 [(V_{INTH}/V_{THRST}) - 1]$$

Since the input current at RESET IN is 50nA (max), large values can be used for $R2$ with no significant loss in accuracy.

Reset Thresholds (-40°C to +125°C)

SUFFIX	V_{TH} (min)	V_{TH} (nom)	V_{TH} (max)
46	4.51	4.63	4.74
45	4.39	4.50	4.61
44	4.27	4.38	4.48
43	4.19	4.30	4.41
42	4.10	4.20	4.31
41	4.00	4.10	4.20
40	3.90	4.00	4.10
39	3.80	3.90	4.00
38	3.71	3.80	3.90
37	3.61	3.70	3.79
36	3.51	3.60	3.69
35	3.41	3.50	3.59
34	3.32	3.40	3.49
33	3.22	3.30	3.38
32	3.12	3.20	3.28
31	3.00	3.08	3.15
30	2.93	3.00	3.08
29	2.85	2.93	3.00
28	2.73	2.80	2.87
27	2.63	2.70	2.77
26	2.56	2.63	2.69
25	2.44	2.50	2.56
24	2.34	2.40	2.46
23	2.26	2.31	2.37
22	2.13	2.19	2.24
21	2.05	2.10	2.15
20	1.95	2.00	2.05
19	1.85	1.90	1.95
18	1.76	1.80	1.85
17	1.62	1.67	1.71
16	1.54	1.58	1.61

Applications Information

Negative-Going V_{CC} Transients

In addition to issuing a reset to the μ P during power-up, power-down, and brownout conditions, the MAX6381-MAX6390 are relatively immune to short duration negative-going V_{CC} transients (glitches).

The *Typical Operating Characteristics* section shows the Maximum Transient Durations vs. Reset Comparator Overdrive, for which the MAX6381-MAX6390 do not generate a reset pulse. This graph was generated using

SC70/ μ DFN, Single/Dual Low-Voltage, Low-Power μ P Reset Circuits

MAX6381-MAX6390

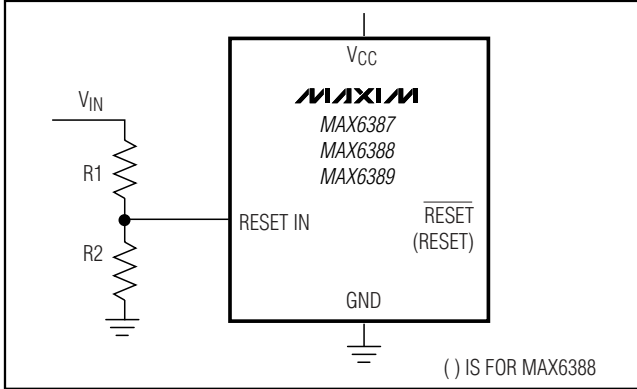


Figure 1. RESET IN Configuration

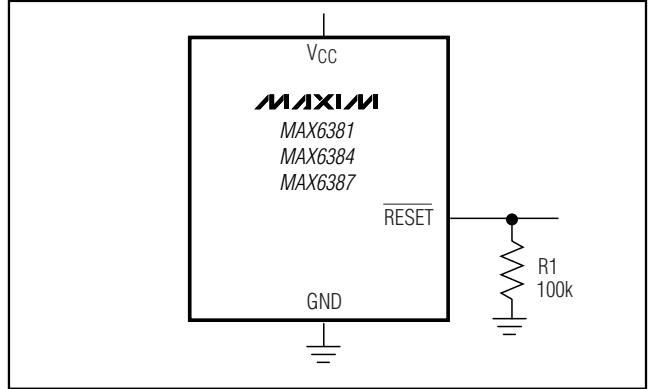


Figure 2. RESET Valid to $V_{CC} = \text{Ground}$ Circuit

Reset Timeout Delay

SUFFIX	MIN
D1	1ms
D2	20ms
D3	140ms
D5	280ms
D6	560ms
D4	1120ms
D7	1200ms
MAX6390_ _D4	1120/140ms*
MAX6390_ _D7	1200/150ms*

*The MAX6390 has a 1120ms or 1200ms $\overline{\text{RESET}}$ timeout and a 140ms or 150ms manual reset timeout.

a negative-going pulse applied to V_{CC} , starting above the actual reset threshold and ending below it by the magnitude indicated (reset comparator overdrive). The graph indicates the typical maximum pulse width a negative-going V_{CC} transient may have without causing a reset pulse to be issued. As the magnitude of the transient increases (goes farther below the reset threshold), the maximum allowable pulse width decreases. A 0.1 μ F capacitor mounted as close as possible to V_{CC} provides additional transient immunity.

Ensuring a Valid RESET Output Down to $V_{CC} = 0V$

The MAX6381-MAX6390 are guaranteed to operate properly down to $V_{CC} = 1V$. In applications that require valid reset levels down to $V_{CC} = 0V$, a pull-down resistor to active-low outputs (push/pull only, Figure 2) and a pullup resistor to active-high outputs (push/pull only) will ensure that the reset line is valid while the reset output can no longer sink or source current. This scheme

does not work with the open-drain outputs of the MAX6383/MAX6386/MAX6389/MAX6390. The resistor value used is not critical, but it must be small enough not to load the reset output when V_{CC} is above the reset threshold. For most applications, 100k Ω is adequate.

Standard Versions

PART	RESET THRESHOLD	RESET TIMEOUT
MAX638_	46	D3
	44	
	31	
	29	
	26	
	23	
	22	
	17	
MAX6390	46	D4
	44	
	31	
	29	
	26	
	23	
	22	
	17	
	16	

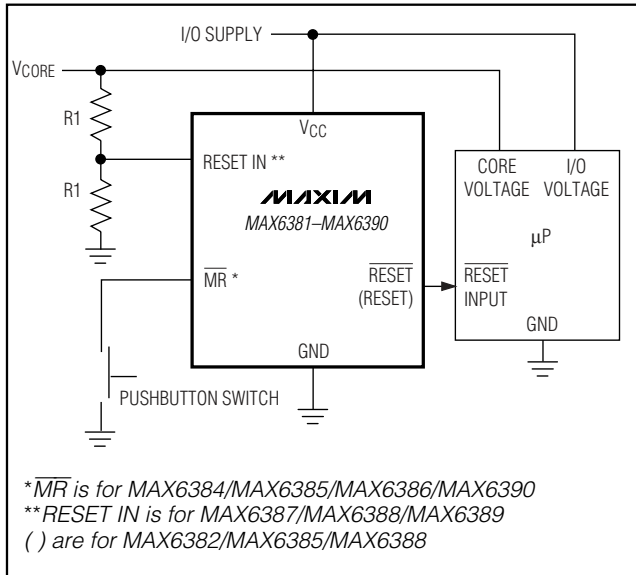
SC70/ μ DFN, Single/Dual Low-Voltage, Low-Power μ P Reset Circuits

Selector Guide

PART NUMBER	PUSH-PULL ACTIVE-LOW	PUSH-PULL ACTIVE-HIGH	OPEN-DRAIN ACTIVE-LOW	MANUAL RESET INPUT MR	RESET IN
MAX6381	X				
MAX6382		X			
MAX6383			X		
MAX6384	X			X	
MAX6385		X		X	
MAX6386			X	X	
MAX6390*			X	X	
MAX6387	X				X
MAX6388		X			X
MAX6389			X		X

*The MAX6390 offers a V_{CC} reset timeout of 1120ms or 1200ms (min) and a manual reset timeout of 140ms or 150ms (min).

Typical Operating Circuit



Ordering Information (continued)

PART	TEMP RANGE	PIN-PACKAGE	PKG CODE
MAX6383LT__D_+T	-40°C to +125°C	6 μ DFN-6	L611-1
MAX6383XR__D_+T	-40°C to +125°C	3 SC70-3	X3-2
MAX6384LT__D_+T	-40°C to +125°C	6 μ DFN-6	L611-1
MAX6384XS__D_+T	-40°C to +125°C	4 SC70-4	X4-1
MAX6385LT__D_+T	-40°C to +125°C	6 μ DFN-6	L611-1
MAX6385XS__D_+T	-40°C to +125°C	4 SC70-4	X4-1
MAX6386LT__D_+T	-40°C to +125°C	6 μ DFN-6	L611-1
MAX6386XS__D_+T	-40°C to +125°C	4 SC70-4	X4-1
MAX6387LT__D_+T	-40°C to +125°C	6 μ DFN-6	L611-1
MAX6387XS__D_+T	-40°C to +125°C	4 SC70-4	X4-1
MAX6388LT__D_+T	-40°C to +125°C	6 μ DFN-6	L611-1
MAX6388XS__D_+T	-40°C to +125°C	4 SC70-4	X4-1
MAX6389LT__D_+T	-40°C to +125°C	6 μ DFN-6	L611-1
MAX6389XS__D_+T	-40°C to +125°C	4 SC70-4	X4-1
MAX6390LT__D_+T	-40°C to +125°C	6 μ DFN-6	L611-1
MAX6390XS__D_+T*	-40°C to +125°C	4 SC70-4	X4-1

Note: Insert reset threshold suffix (see Reset Threshold table) after "XR", "XS", or "LT." Insert reset timeout delay (see Reset Timeout Delay table) after "D" to complete the part number. Sample stock is generally held on standard versions only (see Standard Versions table). Standard versions have an order increment requirement of 2500 pieces. Nonstandard versions have an order increment requirement of 10,000 pieces. Contact factory for availability of nonstandard versions.

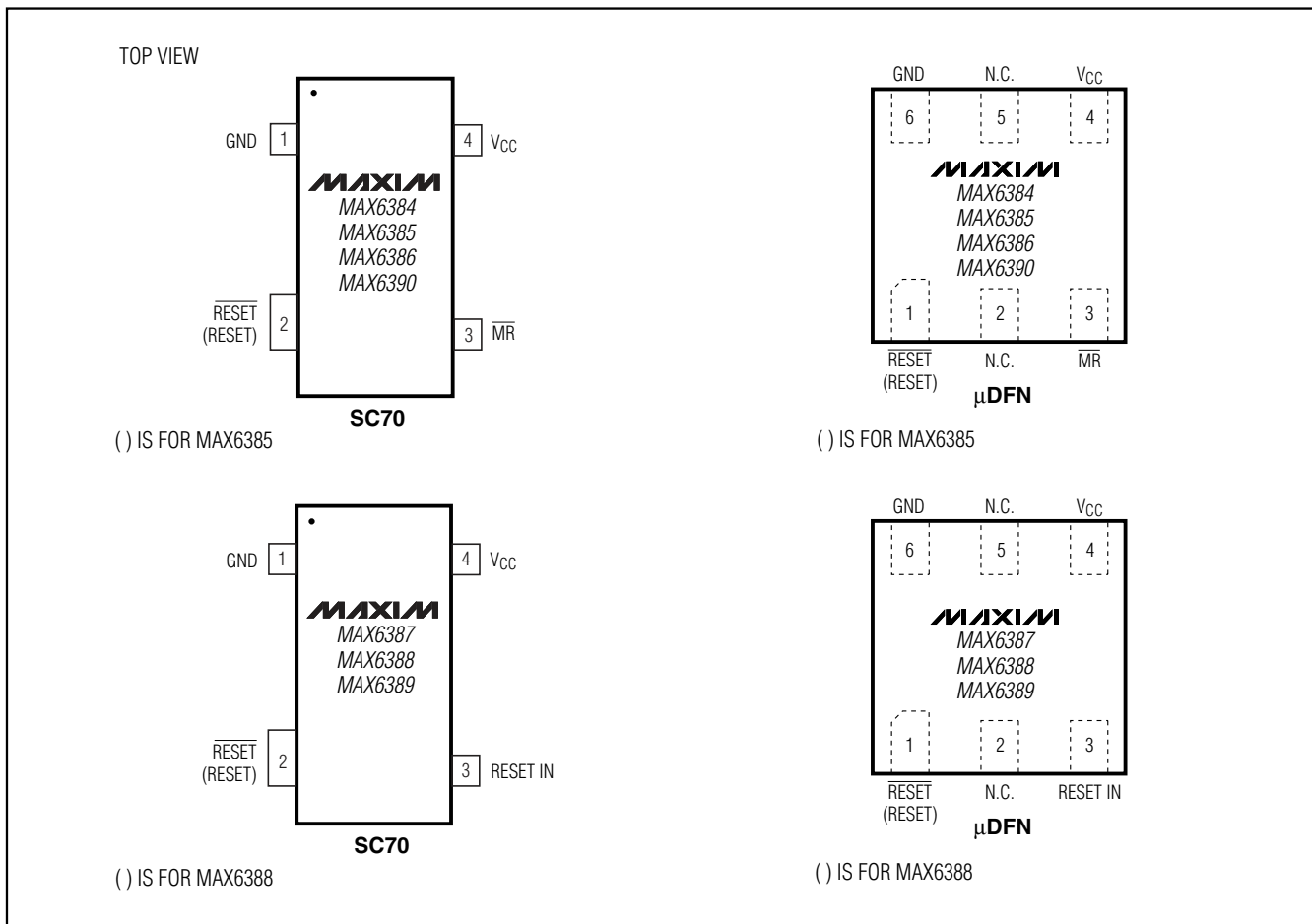
*MAX6390 is available with D4 or D7 timing only.

+Denotes a lead-free package.

SC70/ μ DFN, Single/Dual Low-Voltage, Low-Power μ P Reset Circuits

Pin Configurations (continued)

MAX6381-MAX6390



Chip Information

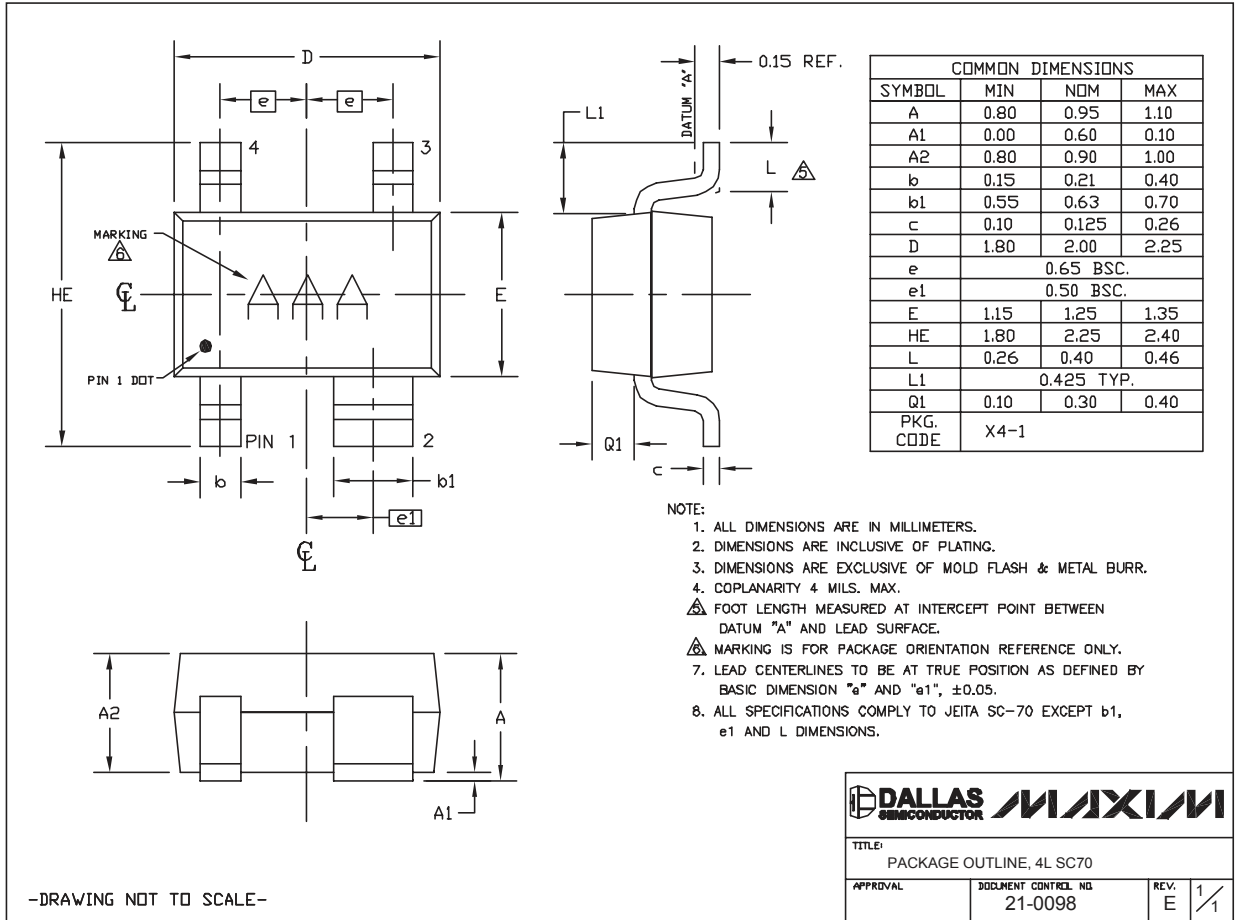
TRANSISTOR COUNT: 647

PROCESS: BiCMOS

SC70/ μ DFN, Single/Dual Low-Voltage, Low-Power μ P Reset Circuits

Package Information

(The package drawing(s) in this data sheet may not reflect the most current specifications. For the latest package outline information, go to www.maxim-ic.com/packages.)



SC70, 4L-EPS

-DRAWING NOT TO SCALE-

DALLAS SEMICONDUCTOR **MAXIM**

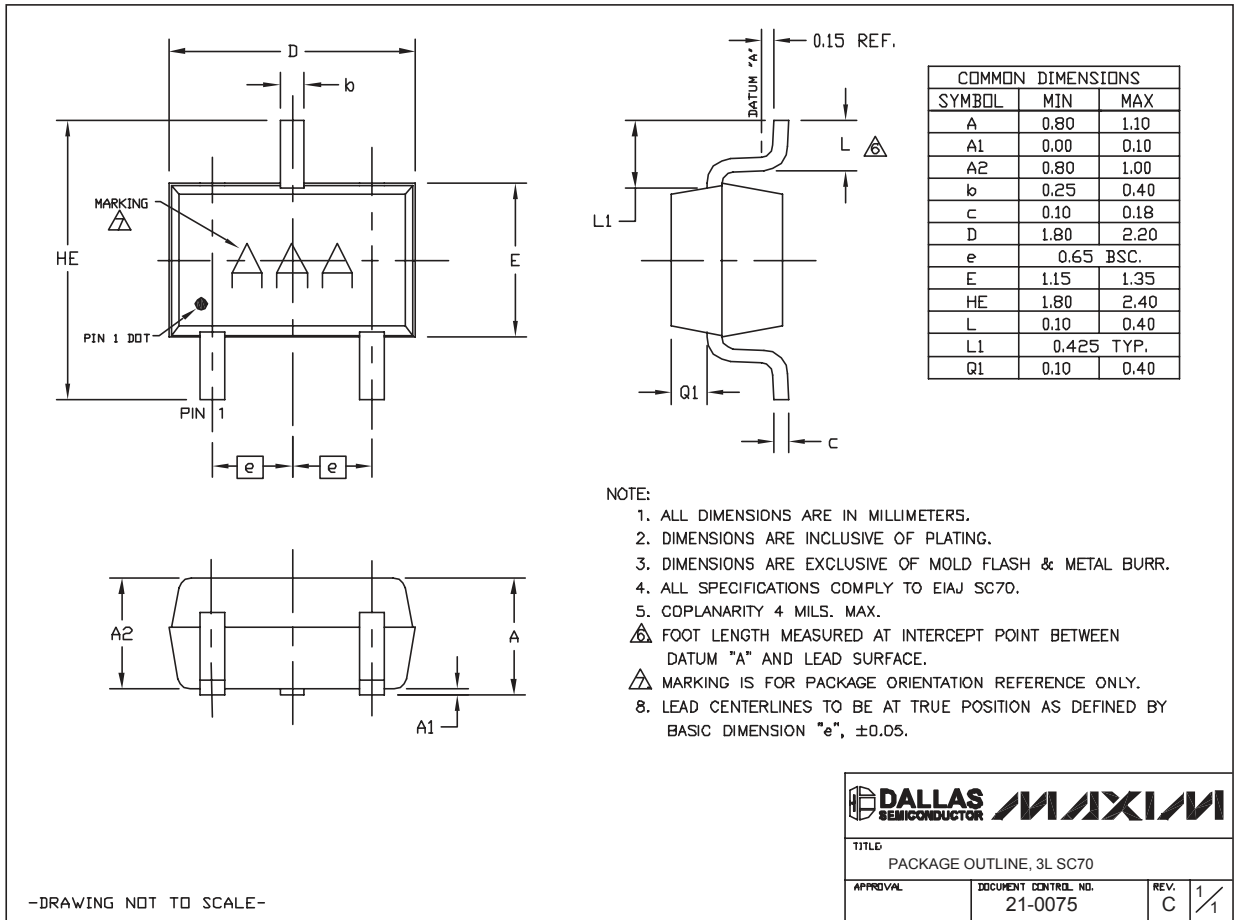
TITLE:
PACKAGE OUTLINE, 4L SC70

APPROVAL	DOCUMENT CONTROL NO. 21-0098	REV. E	1/1
----------	---------------------------------	-----------	-----

SC70/ μ DFN, Single/Dual Low-Voltage, Low-Power μ P Reset Circuits

Package Information (continued)

(The package drawing(s) in this data sheet may not reflect the most current specifications. For the latest package outline information, go to www.maxim-ic.com/packages.)



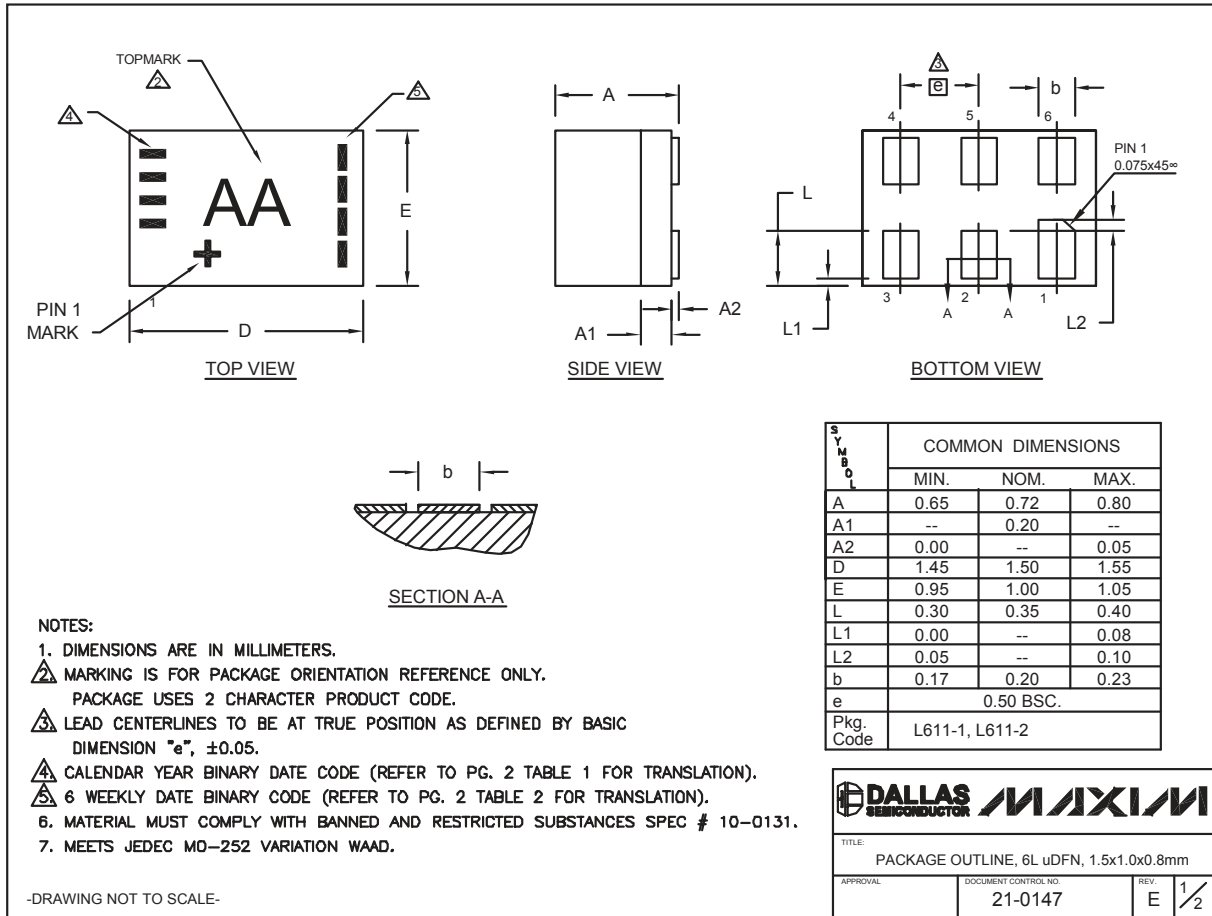
SC70, 3LEPS

MAX6381-MAX6390

SC70/ μ DFN, Single/Dual Low-Voltage, Low-Power μ P Reset Circuits

Package Information (continued)

(The package drawing(s) in this data sheet may not reflect the most current specifications. For the latest package outline information, go to www.maxim-ic.com/packages.)



6L uDFN:EPS

DALLAS SEMICONDUCTOR **MAXIM**

TITLE: PACKAGE OUTLINE, 6L uDFN, 1.5x1.0x0.8mm

APPROVAL	DOCUMENT CONTROL NO. 21-0147	REV. E	1/2
----------	---------------------------------	-----------	-----

SC70/ μ DFN, Single/Dual Low-Voltage, Low-Power μ P Reset Circuits

MAX6381-MAX6390

Package Information (continued)

(The package drawing(s) in this data sheet may not reflect the most current specifications. For the latest package outline information, go to www.maxim-ic.com/packages.)

TABLE 1 Translation Table for Calendar Year Code										
Calendar Year	2005	2006	2007	2008	2009	2010	2011	2012	2013	2014

Legend: Marked with bar Blank space - no bar required

TABLE 2 Translation Table for Payweek Binary Coding									
Payweek	06-11	12-17	18-23	24-29	30-35	36-41	42-47	48-51	52-05

Legend: Marked with bar Blank space - no bar required

TITLE: PACKAGE OUTLINE, 6L μ DFN, 1.5x1.0x0.8mm		
APPROVAL	DOCUMENT CONTROL NO. 21-0147	REV. E 2/2

-DRAWING NOT TO SCALE-

Revision History

Pages changed at Rev 4: Title on all pages, 1, 2, 5, 7-13

Maxim cannot assume responsibility for use of any circuitry other than circuitry entirely embodied in a Maxim product. No circuit patent licenses are implied. Maxim reserves the right to change the circuitry and specifications without notice at any time.

Maxim Integrated Products, 120 San Gabriel Drive, Sunnyvale, CA 94086 408-737-7600 13



SITE SEARCH

PART NO. SEARCH

- WHAT'S NEW
- PRODUCTS
- SOLUTIONS
- DESIGN
- APPNOTES
- SUPPORT
- BUY
- COMPANY
- MEMBERS

Maxim > Products > Supervisors, Voltage Monitors, Sequencers Automotive

MAX6381, MAX6382, MAX6383, MAX6384, MAX6385, MAX6386, MAX6387, MAX6388, MAX6389, MAX6390

SC70/DFN, Single/Dual Low-Voltage, Low-Power P Reset Circuits

- QuickView
- Technical Documents
- Ordering Info
- More Information
- All

Ordering Information

Notes:

1. Other options and links for purchasing parts are listed at: <http://www.maxim-ic.com/sales>.
2. **Didn't Find What You Need?** Ask our applications engineers. Expert assistance in finding parts, usually within one business day.
3. Part number suffixes: T or T&R = tape and reel; + = RoHS/lead-free; # = RoHS/lead-exempt. More: See [Full Data Sheet](#) or [Part Naming Conventions](#).
4. * Some packages have variations, listed on the drawing. "PkgCode/Variation" tells which variation the product uses.

Filter:

Devices: 3001-3500 of 10300

<--- 1 2 3 4 5 6 7 8 9 10 11 12 13 14 15 16 17 18 19 20 --->

MAX6383	Free Sample	Buy	Package: TYPE PINS FOOTPRINT DRAWING CODE/VAR *	Temp	RoHS/Lead-Free? Materials Analysis
MAX6383LT16D1+	<input type="checkbox"/>	<input type="checkbox"/>	MicroDFN;6 pin;2 mm Dwg: 21-0147E (PDF) Use pkgcode/variation: L611+1*	-40C to +85C	RoHS/Lead-Free: Lead Free Materials Analysis
MAX6383LT26D7+T	<input type="checkbox"/>	<input type="checkbox"/>		-40C to +85C	RoHS/Lead-Free: See data sheet
MAX6383LT25D3+T	<input type="checkbox"/>	<input type="checkbox"/>	MicroDFN;6 pin;2 mm Dwg: 21-0147E (PDF) Use pkgcode/variation: L611+1*	-40C to +85C	RoHS/Lead-Free: Lead Free Materials Analysis
MAX6383LT23D3+	<input type="checkbox"/>	<input type="checkbox"/>	MicroDFN;6 pin;2 mm Dwg: 21-0147E (PDF) Use pkgcode/variation: L611+1*	-40C to +85C	RoHS/Lead-Free: See data sheet Materials Analysis
MAX6383LT23D3+T	<input type="checkbox"/>	<input type="checkbox"/>	MicroDFN;6 pin;2 mm Dwg: 21-0147E (PDF) Use pkgcode/variation: L611+1*	-40C to +85C	RoHS/Lead-Free: See data sheet Materials Analysis
MAX6383LT22D3+T	<input type="checkbox"/>	<input type="checkbox"/>	MicroDFN;6 pin;2 mm Dwg: 21-0147E (PDF) Use pkgcode/variation: L611+1*	-40C to +85C	RoHS/Lead-Free: See data sheet Materials Analysis
MAX6383LT26D2+	<input type="checkbox"/>	<input type="checkbox"/>	MicroDFN;6 pin;2 mm Dwg: 21-0147E (PDF) Use pkgcode/variation: L611+1*	-40C to +85C	RoHS/Lead-Free: See data sheet Materials Analysis
MAX6383LT26D2+T	<input type="checkbox"/>	<input type="checkbox"/>	MicroDFN;6 pin;2 mm Dwg: 21-0147E (PDF) Use pkgcode/variation: L611+1*	-40C to +85C	RoHS/Lead-Free: See data sheet Materials Analysis
MAX6383LT26D3+	<input type="checkbox"/>	<input type="checkbox"/>	MicroDFN;6 pin;2 mm Dwg: 21-0147E (PDF) Use pkgcode/variation: L611+1*	-40C to +85C	RoHS/Lead-Free: See data sheet Materials Analysis
MAX6383LT26D3+T	<input type="checkbox"/>	<input type="checkbox"/>	MicroDFN;6 pin;2 mm Dwg: 21-0147E (PDF) Use pkgcode/variation: L611+1*	-40C to +85C	RoHS/Lead-Free: See data sheet Materials Analysis
MAX6383LT24D2+	<input type="checkbox"/>	<input type="checkbox"/>	MicroDFN;6 pin;2 mm Dwg: 21-0147E (PDF) Use pkgcode/variation: L611+1*	-40C to +85C	RoHS/Lead-Free: See data sheet Materials Analysis

MAX6383LT30D1+			MicroDFN;6 pin;2 mm Dwg: 21-0147E (PDF) Use pkgcode/variation: L611+1*	-40C to +85C	RoHS/Lead-Free: See data sheet Materials Analysis
MAX6383LT29D5+T			MicroDFN;6 pin;2 mm Dwg: 21-0147E (PDF) Use pkgcode/variation: L611+1*	-40C to +85C	RoHS/Lead-Free: See data sheet Materials Analysis
MAX6383LT31D3+			MicroDFN;6 pin;2 mm Dwg: 21-0147E (PDF) Use pkgcode/variation: L611+1*	-40C to +85C	RoHS/Lead-Free: See data sheet Materials Analysis
MAX6383LT29D2+			MicroDFN;6 pin;2 mm Dwg: 21-0147E (PDF) Use pkgcode/variation: L611+1*	-40C to +85C	RoHS/Lead-Free: See data sheet Materials Analysis
MAX6383LT16D1+T			MicroDFN;6 pin;2 mm Dwg: 21-0147E (PDF) Use pkgcode/variation: L611+1*	-40C to +85C	RoHS/Lead-Free: Lead Free Materials Analysis
MAX6383XR24D2+T			SC-70;3 pin;5 mm Dwg: 21-0075C (PDF) Use pkgcode/variation: X3+2*	-40C to +85C	RoHS/Lead-Free: Lead Free Materials Analysis
MAX6383XR23D3+			SC-70;3 pin;5 mm Dwg: 21-0075C (PDF) Use pkgcode/variation: X3+2*	-40C to +85C	RoHS/Lead-Free: Lead Free Materials Analysis
MAX6383XR31D3+			SC-70;3 pin;5 mm Dwg: 21-0075C (PDF) Use pkgcode/variation: X3+2*	-40C to +85C	RoHS/Lead-Free: Lead Free Materials Analysis
MAX6383XR18D2+T				-40C to +85C	RoHS/Lead-Free: See data sheet
MAX6383XR16D3+T			SC-70;3 pin;5 mm Dwg: 21-0075C (PDF) Use pkgcode/variation: X3+2*	-40C to +85C	RoHS/Lead-Free: Lead Free Materials Analysis
MAX6383XR16D3+			SC-70;3 pin;5 mm Dwg: 21-0075C (PDF) Use pkgcode/variation: X3+2*	-40C to +85C	RoHS/Lead-Free: Lead Free Materials Analysis
MAX6383XR16D2+T				-40C to +85C	RoHS/Lead-Free: See data sheet
MAX6383XR24D2+			SC-70;3 pin;5 mm Dwg: 21-0075C (PDF) Use pkgcode/variation: X3+2*	-40C to +85C	RoHS/Lead-Free: Lead Free Materials Analysis
MAX6383XR23D3+T			SC-70;3 pin;5 mm Dwg: 21-0075C (PDF) Use pkgcode/variation: X3+2*	-40C to +85C	RoHS/Lead-Free: Lead Free Materials Analysis
MAX6383XR22D3+T			SC-70;3 pin;5 mm Dwg: 21-0075C (PDF) Use pkgcode/variation: X3+2*	-40C to +85C	RoHS/Lead-Free: Lead Free Materials Analysis
MAX6383XR22D3+			SC-70;3 pin;5 mm Dwg: 21-0075C (PDF) Use pkgcode/variation: X3+2*	-40C to +85C	RoHS/Lead-Free: Lead Free Materials Analysis
MAX6383XR22D1+T				-40C to +85C	RoHS/Lead-Free: See data sheet
MAX6383XR31D3+T			SC-70;3 pin;5 mm Dwg: 21-0075C (PDF) Use pkgcode/variation: X3+2*	-40C to +85C	RoHS/Lead-Free: Lead Free Materials Analysis
MAX6383XR26D2+T			SC-70;3 pin;5 mm Dwg: 21-0075C (PDF) Use pkgcode/variation: X3+2*	-40C to +85C	RoHS/Lead-Free: See data sheet Materials Analysis
MAX6383XR42D3+			SC-70;3 pin;5 mm Dwg: 21-0075C (PDF) Use pkgcode/variation: X3+2*	-40C to +85C	RoHS/Lead-Free: See data sheet Materials Analysis
MAX6383XR26D2+			SC-70;3 pin;5 mm Dwg: 21-0075C (PDF) Use pkgcode/variation: X3+2*	-40C to +85C	RoHS/Lead-Free: See data sheet Materials Analysis
MAX6383XR26D3+T			SC-70;3 pin;5 mm Dwg: 21-0075C (PDF) Use pkgcode/variation: X3+2*	-40C to +85C	RoHS/Lead-Free: Lead Free Materials Analysis
MAX6383XR26D7+			SC-70;3 pin;5 mm Dwg: 21-0075C (PDF) Use pkgcode/variation: X3+2*	-40C to +85C	RoHS/Lead-Free: See data sheet Materials Analysis

MAX6383XR26D7+T			SC-70;3 pin;5 mm Dwg: 21-0075C (PDF) Use pkgcode/variation: X3+2*	-40C to +85C	RoHS/Lead-Free: See data sheet Materials Analysis
MAX6383XR26D3+			SC-70;3 pin;5 mm Dwg: 21-0075C (PDF) Use pkgcode/variation: X3+2*	-40C to +85C	RoHS/Lead-Free: Lead Free Materials Analysis
MAX6383XR44D3+T			SC-70;3 pin;5 mm Dwg: 21-0075C (PDF) Use pkgcode/variation: X3+2*	-40C to +85C	RoHS/Lead-Free: Lead Free Materials Analysis
MAX6383XR36D3+T				-40C to +85C	RoHS/Lead-Free: See data sheet
MAX6383XR30D1+T			SC-70;3 pin;5 mm Dwg: 21-0075C (PDF) Use pkgcode/variation: X3+2*	-40C to +85C	RoHS/Lead-Free: See data sheet Materials Analysis
MAX6383XR30D2+			SC-70;3 pin;5 mm Dwg: 21-0075C (PDF) Use pkgcode/variation: X3+2*	-40C to +85C	RoHS/Lead-Free: Lead Free Materials Analysis
MAX6383XR30D2+T			SC-70;3 pin;5 mm Dwg: 21-0075C (PDF) Use pkgcode/variation: X3+2*	-40C to +85C	RoHS/Lead-Free: Lead Free Materials Analysis
MAX6383XR30D3+			SC-70;3 pin;5 mm Dwg: 21-0075C (PDF) Use pkgcode/variation: X3+2*	-40C to +85C	RoHS/Lead-Free: See data sheet Materials Analysis
MAX6383XR30D3+T			SC-70;3 pin;5 mm Dwg: 21-0075C (PDF) Use pkgcode/variation: X3+2*	-40C to +85C	RoHS/Lead-Free: See data sheet Materials Analysis
MAX6383XR40D3+T			SC-70;3 pin;5 mm Dwg: 21-0075C (PDF) Use pkgcode/variation: X3+2*	-40C to +85C	RoHS/Lead-Free: See data sheet Materials Analysis
MAX6383XR40D3+			SC-70;3 pin;5 mm Dwg: 21-0075C (PDF) Use pkgcode/variation: X3+2*	-40C to +85C	RoHS/Lead-Free: See data sheet Materials Analysis
MAX6383XR40D1+T			SC-70;3 pin;5 mm Dwg: 21-0075C (PDF) Use pkgcode/variation: X3+2*	-40C to +85C	RoHS/Lead-Free: Lead Free Materials Analysis
MAX6383XR40D1+			SC-70;3 pin;5 mm Dwg: 21-0075C (PDF) Use pkgcode/variation: X3+2*	-40C to +85C	RoHS/Lead-Free: Lead Free Materials Analysis
MAX6383XR31D2+			SC-70;3 pin;5 mm Dwg: 21-0075C (PDF) Use pkgcode/variation: X3+2*	-40C to +85C	RoHS/Lead-Free: Lead Free Materials Analysis
MAX6383XR31D2+T			SC-70;3 pin;5 mm Dwg: 21-0075C (PDF) Use pkgcode/variation: X3+2*	-40C to +85C	RoHS/Lead-Free: Lead Free Materials Analysis
MAX6383XR32D3+			SC-70;3 pin;5 mm Dwg: 21-0075C (PDF) Use pkgcode/variation: X3+2*	-40C to +85C	RoHS/Lead-Free: See data sheet Materials Analysis
MAX6383XR32D3+T			SC-70;3 pin;5 mm Dwg: 21-0075C (PDF) Use pkgcode/variation: X3+2*	-40C to +85C	RoHS/Lead-Free: See data sheet Materials Analysis
MAX6383XR29D5+			SC-70;3 pin;5 mm Dwg: 21-0075C (PDF) Use pkgcode/variation: X3+2*	-40C to +85C	RoHS/Lead-Free: See data sheet Materials Analysis
MAX6383XR30D1+			SC-70;3 pin;5 mm Dwg: 21-0075C (PDF) Use pkgcode/variation: X3+2*	-40C to +85C	RoHS/Lead-Free: See data sheet Materials Analysis
MAX6383XR29D5+T			SC-70;3 pin;5 mm Dwg: 21-0075C (PDF) Use pkgcode/variation: X3+2*	-40C to +85C	RoHS/Lead-Free: See data sheet Materials Analysis
MAX6383XR44D3+			SC-70;3 pin;5 mm Dwg: 21-0075C (PDF) Use pkgcode/variation: X3+2*	-40C to +85C	RoHS/Lead-Free: Lead Free Materials Analysis
MAX6383XR44D2+T			SC-70;3 pin;5 mm Dwg: 21-0075C (PDF) Use pkgcode/variation: X3+2*	-40C to +85C	RoHS/Lead-Free: See data sheet Materials Analysis
MAX6383XR44D2+			SC-70;3 pin;5 mm Dwg: 21-0075C (PDF) Use pkgcode/variation: X3+2*	-40C to +85C	RoHS/Lead-Free: See data sheet Materials Analysis

MAX6383XR43D2+T			SC-70;3 pin;5 mm Dwg: 21-0075C (PDF) Use pkgcode/variation: X3+2*	-40C to +85C	RoHS/Lead-Free: See data sheet Materials Analysis
MAX6383XR43D2+			SC-70;3 pin;5 mm Dwg: 21-0075C (PDF) Use pkgcode/variation: X3+2*	-40C to +85C	RoHS/Lead-Free: See data sheet Materials Analysis
MAX6383XR42D3+T			SC-70;3 pin;5 mm Dwg: 21-0075C (PDF) Use pkgcode/variation: X3+2*	-40C to +85C	RoHS/Lead-Free: See data sheet Materials Analysis
MAX6383XR42D2+T			SC-70;3 pin;5 mm Dwg: 21-0075C (PDF) Use pkgcode/variation: X3+2*	-40C to +85C	RoHS/Lead-Free: See data sheet Materials Analysis
MAX6383XR42D2+			SC-70;3 pin;5 mm Dwg: 21-0075C (PDF) Use pkgcode/variation: X3+2*	-40C to +85C	RoHS/Lead-Free: See data sheet Materials Analysis
MAX6383XR42D1+T			SC-70;3 pin;5 mm Dwg: 21-0075C (PDF) Use pkgcode/variation: X3+2*	-40C to +85C	RoHS/Lead-Free: See data sheet Materials Analysis
MAX6383XR29D4+T				-40C to +85C	RoHS/Lead-Free: See data sheet
MAX6383XR29D2+T			SC-70;3 pin;5 mm Dwg: 21-0075C (PDF) Use pkgcode/variation: X3+2*	-40C to +85C	RoHS/Lead-Free: See data sheet Materials Analysis
MAX6383XR29D2+			SC-70;3 pin;5 mm Dwg: 21-0075C (PDF) Use pkgcode/variation: X3+2*	-40C to +85C	RoHS/Lead-Free: See data sheet Materials Analysis
MAX6383XR29D1+T			SC-70;3 pin;5 mm Dwg: 21-0075C (PDF) Use pkgcode/variation: X3+2*	-40C to +85C	RoHS/Lead-Free: Lead Free Materials Analysis
MAX6383XR29D1+			SC-70;3 pin;5 mm Dwg: 21-0075C (PDF) Use pkgcode/variation: X3+2*	-40C to +85C	RoHS/Lead-Free: Lead Free Materials Analysis
MAX6383XR42D1+			SC-70;3 pin;5 mm Dwg: 21-0075C (PDF) Use pkgcode/variation: X3+2*	-40C to +85C	RoHS/Lead-Free: See data sheet Materials Analysis
MAX6383XR30D3			SC-70;3 pin;5 mm Dwg: 21-0075C (PDF) Use pkgcode/variation: X3-2*	-40C to +85C	RoHS/Lead-Free: No Materials Analysis
MAX6383XR36D3			SC-70;3 pin;5 mm Dwg: 21-0075C (PDF) Use pkgcode/variation: X3-2*	-40C to +85C	RoHS/Lead-Free: No Materials Analysis
MAX6383XR44D2			SC-70;3 pin;5 mm Dwg: 21-0075C (PDF) Use pkgcode/variation: X3-2*	-40C to +85C	RoHS/Lead-Free: See data sheet Materials Analysis
MAX6383XR29D1			SC-70;3 pin;5 mm Dwg: 21-0075C (PDF) Use pkgcode/variation: X3-2*	-40C to +85C	RoHS/Lead-Free: See data sheet Materials Analysis
MAX6383XR42D2			SC-70;3 pin;5 mm Dwg: 21-0075C (PDF) Use pkgcode/variation: X3-2*	-40C to +85C	RoHS/Lead-Free: See data sheet Materials Analysis
MAX6383XR29D4			SC-70;3 pin;5 mm Dwg: 21-0075C (PDF) Use pkgcode/variation: X3-2*	-40C to +85C	RoHS/Lead-Free: No Materials Analysis
MAX6383XR43D2			SC-70;3 pin;5 mm Dwg: 21-0075C (PDF) Use pkgcode/variation: X3-2*	-40C to +85C	RoHS/Lead-Free: See data sheet Materials Analysis
MAX6383XR46D3			SC-70;3 pin;5 mm Dwg: 21-0075C (PDF) Use pkgcode/variation: X3-2*	-40C to +85C	RoHS/Lead-Free: No Materials Analysis
MAX6383XR29D3+			SC-70;3 pin;5 mm Dwg: 21-0075C (PDF) Use pkgcode/variation: X3+2*	-40C to +85C	RoHS/Lead-Free: Lead Free Materials Analysis
MAX6383XR42D1			SC-70;3 pin;5 mm Dwg: 21-0075C (PDF) Use pkgcode/variation: X3-2*	-40C to +85C	RoHS/Lead-Free: No Materials Analysis
MAX6383XR29D3			SC-70;3 pin;5 mm Dwg: 21-0075C (PDF) Use pkgcode/variation: X3-2*	-40C to +85C	RoHS/Lead-Free: No Materials Analysis

MAX6383XR29D2			SC-70;3 pin;5 mm Dwg: 21-0075C (PDF) Use pkgcode/variation: X3-2*	-40C to +85C	RoHS/Lead-Free: No Materials Analysis
MAX6383XR40D1			SC-70;3 pin;5 mm Dwg: 21-0075C (PDF) Use pkgcode/variation: X3-2*	-40C to +85C	RoHS/Lead-Free: No Materials Analysis
MAX6383XR42D3			SC-70;3 pin;5 mm Dwg: 21-0075C (PDF) Use pkgcode/variation: X3-2*	-40C to +85C	RoHS/Lead-Free: No Materials Analysis
MAX6383XR17D3+			SC-70;3 pin;5 mm Dwg: 21-0075C (PDF) Use pkgcode/variation: X3+2*	-40C to +85C	RoHS/Lead-Free: Lead Free Materials Analysis
MAX6383XR26D7			SC-70;3 pin;5 mm Dwg: 21-0075C (PDF) Use pkgcode/variation: X3-2*	-40C to +85C	RoHS/Lead-Free: No Materials Analysis
MAX6383XR44D3			SC-70;3 pin;5 mm Dwg: 21-0075C (PDF) Use pkgcode/variation: X3-2*	-40C to +85C	RoHS/Lead-Free: No Materials Analysis
MAX6383XR26D2			SC-70;3 pin;5 mm Dwg: 21-0075C (PDF) Use pkgcode/variation: X3-2*	-40C to +85C	RoHS/Lead-Free: See data sheet Materials Analysis
MAX6383XR26D3			SC-70;3 pin;5 mm Dwg: 21-0075C (PDF) Use pkgcode/variation: X3-2*	-40C to +85C	RoHS/Lead-Free: No Materials Analysis
MAX6383XR29D5			SC-70;3 pin;5 mm Dwg: 21-0075C (PDF) Use pkgcode/variation: X3-2*	-40C to +85C	RoHS/Lead-Free: No Materials Analysis
MAX6383XR30D2			SC-70;3 pin;5 mm Dwg: 21-0075C (PDF) Use pkgcode/variation: X3-2*	-40C to +85C	RoHS/Lead-Free: See data sheet Materials Analysis
MAX6383XR46D3+			SC-70;3 pin;5 mm Dwg: 21-0075C (PDF) Use pkgcode/variation: X3+2*	-40C to +85C	RoHS/Lead-Free: Lead Free Materials Analysis
MAX6383XR30D1			SC-70;3 pin;5 mm Dwg: 21-0075C (PDF) Use pkgcode/variation: X3-2*	-40C to +85C	RoHS/Lead-Free: No Materials Analysis
MAX6383XR32D3			SC-70;3 pin;5 mm Dwg: 21-0075C (PDF) Use pkgcode/variation: X3-2*	-40C to +85C	RoHS/Lead-Free: See data sheet Materials Analysis
MAX6383XR31D1+			SC-70;3 pin;5 mm Dwg: 21-0075C (PDF) Use pkgcode/variation: X3+2*	-40C to +85C	RoHS/Lead-Free: Lead Free Materials Analysis
MAX6383XR31D1			SC-70;3 pin;5 mm Dwg: 21-0075C (PDF) Use pkgcode/variation: X3-2*	-40C to +85C	RoHS/Lead-Free: No Materials Analysis
MAX6383XR31D2			SC-70;3 pin;5 mm Dwg: 21-0075C (PDF) Use pkgcode/variation: X3-2*	-40C to +85C	RoHS/Lead-Free: See data sheet Materials Analysis
MAX6383XR31D3			SC-70;3 pin;5 mm Dwg: 21-0075C (PDF) Use pkgcode/variation: X3-2*	-40C to +85C	RoHS/Lead-Free: No Materials Analysis
MAX6383XR46D2+			SC-70;3 pin;5 mm Dwg: 21-0075C (PDF) Use pkgcode/variation: X3+2*	-40C to +85C	RoHS/Lead-Free: Lead Free Materials Analysis
MAX6383XR46D2			SC-70;3 pin;5 mm Dwg: 21-0075C (PDF) Use pkgcode/variation: X3-2*	-40C to +85C	RoHS/Lead-Free: No Materials Analysis
MAX6383XR40D3			SC-70;3 pin;5 mm Dwg: 21-0075C (PDF) Use pkgcode/variation: X3-2*	-40C to +85C	RoHS/Lead-Free: See data sheet Materials Analysis
MAX6383XR16D2			SC-70;3 pin;5 mm Dwg: 21-0075C (PDF) Use pkgcode/variation: X3-2*	-40C to +85C	RoHS/Lead-Free: No Materials Analysis
MAX6383XR22D3			SC-70;3 pin;5 mm Dwg: 21-0075C (PDF) Use pkgcode/variation: X3-2*	-40C to +85C	RoHS/Lead-Free: No Materials Analysis
MAX6383XR16D3			SC-70;3 pin;5 mm Dwg: 21-0075C (PDF) Use pkgcode/variation: X3-2*	-40C to +85C	RoHS/Lead-Free: No Materials Analysis

MAX6383XR22D1			SC-70;3 pin;5 mm Dwg: 21-0075C (PDF) Use pkgcode/variation: X3-2*	-40C to +85C	RoHS/Lead-Free: No Materials Analysis
MAX6383XR24D2			SC-70;3 pin;5 mm Dwg: 21-0075C (PDF) Use pkgcode/variation: X3-2*	-40C to +85C	RoHS/Lead-Free: No Materials Analysis
MAX6383XR23D3			SC-70;3 pin;5 mm Dwg: 21-0075C (PDF) Use pkgcode/variation: X3-2*	-40C to +85C	RoHS/Lead-Free: No Materials Analysis
MAX6383XR17D3			SC-70;3 pin;5 mm Dwg: 21-0075C (PDF) Use pkgcode/variation: X3-2*	-40C to +85C	RoHS/Lead-Free: No Materials Analysis
MAX6383XR18D2			SC-70;3 pin;5 mm Dwg: 21-0075C (PDF) Use pkgcode/variation: X3-2*	-40C to +85C	RoHS/Lead-Free: No Materials Analysis
MAX6383XR27D4-T				-40C to +85C	RoHS/Lead-Free: See data sheet
MAX6383XR27D3-T				-40C to +85C	RoHS/Lead-Free: See data sheet
MAX6383XR27D2-T				-40C to +85C	RoHS/Lead-Free: See data sheet
MAX6383XR29D3-T			SC-70;3 pin;5 mm Dwg: 21-0075C (PDF) Use pkgcode/variation: X3-2*	-40C to +85C	RoHS/Lead-Free: No Materials Analysis
MAX6383XR27D7-T				-40C to +85C	RoHS/Lead-Free: See data sheet
MAX6383XR29D4-T			SC-70;3 pin;5 mm Dwg: 21-0075C (PDF) Use pkgcode/variation: X3-2*	-40C to +85C	RoHS/Lead-Free: No Materials Analysis
MAX6383XR29D5-T			SC-70;3 pin;5 mm Dwg: 21-0075C (PDF) Use pkgcode/variation: X3-2*	-40C to +85C	RoHS/Lead-Free: No Materials Analysis
MAX6383XR29D6-T				-40C to +85C	RoHS/Lead-Free: See data sheet
MAX6383XR29D7-T				-40C to +85C	RoHS/Lead-Free: See data sheet
MAX6383XR27D5-T				-40C to +85C	RoHS/Lead-Free: See data sheet
MAX6383XR29D2-T			SC-70;3 pin;5 mm Dwg: 21-0075C (PDF) Use pkgcode/variation: X3-2*	-40C to +85C	RoHS/Lead-Free: No Materials Analysis
MAX6383XR28D1-T				-40C to +85C	RoHS/Lead-Free: See data sheet
MAX6383XR28D2-T				-40C to +85C	RoHS/Lead-Free: See data sheet
MAX6383XR28D3-T				-40C to +85C	RoHS/Lead-Free: See data sheet
MAX6383XR28D4-T				-40C to +85C	RoHS/Lead-Free: See data sheet
MAX6383XR28D5-T				-40C to +85C	RoHS/Lead-Free: See data sheet
MAX6383XR27D6-T				-40C to +85C	RoHS/Lead-Free: See data sheet
MAX6383XR28D7-T				-40C to +85C	RoHS/Lead-Free: See data sheet

MAX6383XR29D1-T			SC-70;3 pin;5 mm Dwg: 21-0075C (PDF) Use pkgcode/variation: X3-2*	-40C to +85C	RoHS/Lead-Free: See data sheet Materials Analysis
MAX6383XR28D6-T				-40C to +85C	RoHS/Lead-Free: See data sheet
MAX6383XR30D1-T			SC-70;3 pin;5 mm Dwg: 21-0075C (PDF) Use pkgcode/variation: X3-2*	-40C to +85C	RoHS/Lead-Free: No Materials Analysis
MAX6383XR31D6-T				-40C to +85C	RoHS/Lead-Free: See data sheet
MAX6383XR31D7-T				-40C to +85C	RoHS/Lead-Free: See data sheet
MAX6383XR32D1-T				-40C to +85C	RoHS/Lead-Free: See data sheet
MAX6383XR32D2-T				-40C to +85C	RoHS/Lead-Free: See data sheet
MAX6383XR32D3-T			SC-70;3 pin;5 mm Dwg: 21-0075C (PDF) Use pkgcode/variation: X3-2*	-40C to +85C	RoHS/Lead-Free: See data sheet Materials Analysis
MAX6383XR32D4-T				-40C to +85C	RoHS/Lead-Free: See data sheet
MAX6383XR32D5-T				-40C to +85C	RoHS/Lead-Free: See data sheet
MAX6383XR32D6-T				-40C to +85C	RoHS/Lead-Free: See data sheet
MAX6383XR32D7-T				-40C to +85C	RoHS/Lead-Free: See data sheet
MAX6383XR31D5-T				-40C to +85C	RoHS/Lead-Free: See data sheet
MAX6383XR31D4-T				-40C to +85C	RoHS/Lead-Free: See data sheet
MAX6383XR30D2-T			SC-70;3 pin;5 mm Dwg: 21-0075C (PDF) Use pkgcode/variation: X3-2*	-40C to +85C	RoHS/Lead-Free: See data sheet Materials Analysis
MAX6383XR30D3-T			SC-70;3 pin;5 mm Dwg: 21-0075C (PDF) Use pkgcode/variation: X3-2*	-40C to +85C	RoHS/Lead-Free: No Materials Analysis
MAX6383XR30D4-T				-40C to +85C	RoHS/Lead-Free: See data sheet
MAX6383XR30D5-T				-40C to +85C	RoHS/Lead-Free: See data sheet
MAX6383XR30D6-T				-40C to +85C	RoHS/Lead-Free: See data sheet
MAX6383XR30D7-T				-40C to +85C	RoHS/Lead-Free: See data sheet
MAX6383XR31D1-T			SC-70;3 pin;5 mm Dwg: 21-0075C (PDF) Use pkgcode/variation: X3-2*	-40C to +85C	RoHS/Lead-Free: No Materials Analysis
MAX6383XR31D2-T			SC-70;3 pin;5 mm Dwg: 21-0075C (PDF) Use pkgcode/variation: X3-2*	-40C to +85C	RoHS/Lead-Free: See data sheet Materials Analysis
MAX6383XR31D3-T			SC-70;3 pin;5 mm Dwg: 21-0075C (PDF) Use pkgcode/variation: X3-2*	-40C to +85C	RoHS/Lead-Free: No Materials Analysis

MAX6383XR33D1-T				-40C to +85C	RoHS/Lead-Free: See data sheet
MAX6383XR27D1-T				-40C to +85C	RoHS/Lead-Free: See data sheet
MAX6383XR21D2-T				-40C to +85C	RoHS/Lead-Free: See data sheet
MAX6383XR22D7-T				-40C to +85C	RoHS/Lead-Free: See data sheet
MAX6383XR23D1-T				-40C to +85C	RoHS/Lead-Free: See data sheet
MAX6383XR23D2-T				-40C to +85C	RoHS/Lead-Free: See data sheet
MAX6383XR23D3-T			SC-70;3 pin;5 mm Dwg: 21-0075C (PDF) Use pkgcode/variation: X3-2*	-40C to +85C	RoHS/Lead-Free: No Materials Analysis
MAX6383XR21D1-T				-40C to +85C	RoHS/Lead-Free: See data sheet
MAX6383XR23D4-T				-40C to +85C	RoHS/Lead-Free: See data sheet
MAX6383XR23D5-T				-40C to +85C	RoHS/Lead-Free: See data sheet
MAX6383XR23D6-T				-40C to +85C	RoHS/Lead-Free: See data sheet
MAX6383XR22D6-T				-40C to +85C	RoHS/Lead-Free: See data sheet
MAX6383XR22D5-T				-40C to +85C	RoHS/Lead-Free: See data sheet
MAX6383XR22D4-T				-40C to +85C	RoHS/Lead-Free: See data sheet
MAX6383XR21D3-T				-40C to +85C	RoHS/Lead-Free: See data sheet
MAX6383XR21D4-T				-40C to +85C	RoHS/Lead-Free: See data sheet
MAX6383XR21D5-T				-40C to +85C	RoHS/Lead-Free: See data sheet
MAX6383XR21D6-T				-40C to +85C	RoHS/Lead-Free: See data sheet
MAX6383XR21D7-T				-40C to +85C	RoHS/Lead-Free: See data sheet
MAX6383XR22D1-T			SC-70;3 pin;5 mm Dwg: 21-0075C (PDF) Use pkgcode/variation: X3-2*	-40C to +85C	RoHS/Lead-Free: No Materials Analysis
MAX6383XR22D2-T				-40C to +85C	RoHS/Lead-Free: See data sheet
MAX6383XR22D3-T			SC-70;3 pin;5 mm Dwg: 21-0075C (PDF) Use pkgcode/variation: X3-2*	-40C to +85C	RoHS/Lead-Free: No Materials Analysis
MAX6383XR23D7-T				-40C to +85C	RoHS/Lead-Free: See data sheet

MAX6383XR24D1-T				-40C to +85C	RoHS/Lead-Free: See data sheet
MAX6383XR25D6-T				-40C to +85C	RoHS/Lead-Free: See data sheet
MAX6383XR25D7-T				-40C to +85C	RoHS/Lead-Free: See data sheet
MAX6383XR26D1-T				-40C to +85C	RoHS/Lead-Free: See data sheet
MAX6383XR26D2-T			SC-70;3 pin;5 mm Dwg: 21-0075C (PDF) Use pkgcode/variation: X3-2*	-40C to +85C	RoHS/Lead-Free: See data sheet Materials Analysis
MAX6383XR26D3-T			SC-70;3 pin;5 mm Dwg: 21-0075C (PDF) Use pkgcode/variation: X3-2*	-40C to +85C	RoHS/Lead-Free: No Materials Analysis
MAX6383XR26D4-T				-40C to +85C	RoHS/Lead-Free: See data sheet
MAX6383XR26D5-T				-40C to +85C	RoHS/Lead-Free: See data sheet
MAX6383XR26D6-T				-40C to +85C	RoHS/Lead-Free: See data sheet
MAX6383XR25D5-T				-40C to +85C	RoHS/Lead-Free: See data sheet
MAX6383XR25D4-T				-40C to +85C	RoHS/Lead-Free: See data sheet
MAX6383XR25D3-T				-40C to +85C	RoHS/Lead-Free: See data sheet
MAX6383XR24D2-T			SC-70;3 pin;5 mm Dwg: 21-0075C (PDF) Use pkgcode/variation: X3-2*	-40C to +85C	RoHS/Lead-Free: No Materials Analysis
MAX6383XR24D3-T				-40C to +85C	RoHS/Lead-Free: See data sheet
MAX6383XR24D4-T				-40C to +85C	RoHS/Lead-Free: See data sheet
MAX6383XR24D5-T				-40C to +85C	RoHS/Lead-Free: See data sheet
MAX6383XR24D6-T				-40C to +85C	RoHS/Lead-Free: See data sheet
MAX6383XR24D7-T				-40C to +85C	RoHS/Lead-Free: See data sheet
MAX6383XR25D1-T				-40C to +85C	RoHS/Lead-Free: See data sheet
MAX6383XR25D2-T				-40C to +85C	RoHS/Lead-Free: See data sheet
MAX6383XR26D7-T			SC-70;3 pin;5 mm Dwg: 21-0075C (PDF) Use pkgcode/variation: X3-2*	-40C to +85C	RoHS/Lead-Free: No Materials Analysis
MAX6383XR33D2-T				-40C to +85C	RoHS/Lead-Free: See data sheet
MAX6383XR40D1-T			SC-70;3 pin;5 mm Dwg: 21-0075C (PDF) Use pkgcode/variation: X3-2*	-40C to +85C	RoHS/Lead-Free: No Materials Analysis

MAX6383XR42D1-T			SC-70;3 pin;5 mm Dwg: 21-0075C (PDF) Use pkgcode/variation: X3-2*	-40C to +85C	RoHS/Lead-Free: No Materials Analysis
MAX6383XR42D2-T			SC-70;3 pin;5 mm Dwg: 21-0075C (PDF) Use pkgcode/variation: X3-2*	-40C to +85C	RoHS/Lead-Free: See data sheet Materials Analysis
MAX6383XR42D3-T			SC-70;3 pin;5 mm Dwg: 21-0075C (PDF) Use pkgcode/variation: X3-2*	-40C to +85C	RoHS/Lead-Free: No Materials Analysis
MAX6383XR42D4-T				-40C to +85C	RoHS/Lead-Free: See data sheet
MAX6383XR42D5-T				-40C to +85C	RoHS/Lead-Free: See data sheet
MAX6383XR42D6-T				-40C to +85C	RoHS/Lead-Free: See data sheet
MAX6383XR42D7-T				-40C to +85C	RoHS/Lead-Free: See data sheet
MAX6383XR43D1-T				-40C to +85C	RoHS/Lead-Free: See data sheet
MAX6383XR43D2-T			SC-70;3 pin;5 mm Dwg: 21-0075C (PDF) Use pkgcode/variation: X3-2*	-40C to +85C	RoHS/Lead-Free: See data sheet Materials Analysis
MAX6383XR41D7-T				-40C to +85C	RoHS/Lead-Free: See data sheet
MAX6383XR41D6-T				-40C to +85C	RoHS/Lead-Free: See data sheet
MAX6383XR41D5-T				-40C to +85C	RoHS/Lead-Free: See data sheet
MAX6383XR40D2-T				-40C to +85C	RoHS/Lead-Free: See data sheet
MAX6383XR40D3-T			SC-70;3 pin;5 mm Dwg: 21-0075C (PDF) Use pkgcode/variation: X3-2*	-40C to +85C	RoHS/Lead-Free: See data sheet Materials Analysis
MAX6383XR40D4-T				-40C to +85C	RoHS/Lead-Free: See data sheet
MAX6383XR40D5-T				-40C to +85C	RoHS/Lead-Free: See data sheet
MAX6383XR40D6-T				-40C to +85C	RoHS/Lead-Free: See data sheet
MAX6383XR40D7-T				-40C to +85C	RoHS/Lead-Free: See data sheet
MAX6383XR41D1-T				-40C to +85C	RoHS/Lead-Free: See data sheet
MAX6383XR41D2-T				-40C to +85C	RoHS/Lead-Free: See data sheet
MAX6383XR41D3-T				-40C to +85C	RoHS/Lead-Free: See data sheet
MAX6383XR43D3-T				-40C to +85C	RoHS/Lead-Free: See data sheet
MAX6383XR43D5-T				-40C to +85C	RoHS/Lead-Free: See data sheet

MAX6383XR45D5-T				-40C to +85C	RoHS/Lead-Free: See data sheet
MAX6383XR45D6-T				-40C to +85C	RoHS/Lead-Free: See data sheet
MAX6383XR45D7-T				-40C to +85C	RoHS/Lead-Free: See data sheet
MAX6383XR46D1-T				-40C to +85C	RoHS/Lead-Free: See data sheet
MAX6383XR46D2-T			SC-70;3 pin;5 mm Dwg: 21-0075C (PDF) Use pkgcode/variation: X3-2*	-40C to +85C	RoHS/Lead-Free: No Materials Analysis
MAX6383XR46D3-T			SC-70;3 pin;5 mm Dwg: 21-0075C (PDF) Use pkgcode/variation: X3-2*	-40C to +85C	RoHS/Lead-Free: No Materials Analysis
MAX6383XR46D4-T				-40C to +85C	RoHS/Lead-Free: See data sheet
MAX6383XR46D5-T				-40C to +85C	RoHS/Lead-Free: See data sheet
MAX6383XR46D6-T				-40C to +85C	RoHS/Lead-Free: See data sheet
MAX6383XR45D4-T				-40C to +85C	RoHS/Lead-Free: See data sheet
MAX6383XR45D3-T				-40C to +85C	RoHS/Lead-Free: See data sheet
MAX6383XR45D2-T				-40C to +85C	RoHS/Lead-Free: See data sheet
MAX6383XR43D6-T				-40C to +85C	RoHS/Lead-Free: See data sheet
MAX6383XR43D7-T				-40C to +85C	RoHS/Lead-Free: See data sheet
MAX6383XR44D1-T				-40C to +85C	RoHS/Lead-Free: See data sheet
MAX6383XR44D2-T			SC-70;3 pin;5 mm Dwg: 21-0075C (PDF) Use pkgcode/variation: X3-2*	-40C to +85C	RoHS/Lead-Free: See data sheet Materials Analysis
MAX6383XR44D3-T			SC-70;3 pin;5 mm Dwg: 21-0075C (PDF) Use pkgcode/variation: X3-2*	-40C to +85C	RoHS/Lead-Free: No Materials Analysis
MAX6383XR44D4-T				-40C to +85C	RoHS/Lead-Free: See data sheet
MAX6383XR44D5-T				-40C to +85C	RoHS/Lead-Free: See data sheet
MAX6383XR44D7-T				-40C to +85C	RoHS/Lead-Free: See data sheet
MAX6383XR45D1-T				-40C to +85C	RoHS/Lead-Free: See data sheet
MAX6383XR46D7-T				-40C to +85C	RoHS/Lead-Free: See data sheet
MAX6383XR39D7-T				-40C to +85C	RoHS/Lead-Free: See data sheet

MAX6383XR33D3-T				-40C to +85C	RoHS/Lead-Free: See data sheet
MAX6383XR35D2-T				-40C to +85C	RoHS/Lead-Free: See data sheet
MAX6383XR35D3-T				-40C to +85C	RoHS/Lead-Free: See data sheet
MAX6383XR35D4-T				-40C to +85C	RoHS/Lead-Free: See data sheet
MAX6383XR35D5-T				-40C to +85C	RoHS/Lead-Free: See data sheet
MAX6383XR35D6-T				-40C to +85C	RoHS/Lead-Free: See data sheet
MAX6383XR35D7-T				-40C to +85C	RoHS/Lead-Free: See data sheet
MAX6383XR36D1-T				-40C to +85C	RoHS/Lead-Free: See data sheet
MAX6383XR36D2-T				-40C to +85C	RoHS/Lead-Free: See data sheet
MAX6383XR36D3-T			SC-70;3 pin;5 mm Dwg: 21-0075C (PDF) Use pkgcode/variation: X3-2*	-40C to +85C	RoHS/Lead-Free: No Materials Analysis
MAX6383XR35D1-T				-40C to +85C	RoHS/Lead-Free: See data sheet
MAX6383XR34D7-T				-40C to +85C	RoHS/Lead-Free: See data sheet
MAX6383XR34D6-T				-40C to +85C	RoHS/Lead-Free: See data sheet
MAX6383XR33D4-T				-40C to +85C	RoHS/Lead-Free: See data sheet
MAX6383XR33D5-T				-40C to +85C	RoHS/Lead-Free: See data sheet
MAX6383XR33D6-T				-40C to +85C	RoHS/Lead-Free: See data sheet
MAX6383XR33D7-T				-40C to +85C	RoHS/Lead-Free: See data sheet
MAX6383XR34D1-T				-40C to +85C	RoHS/Lead-Free: See data sheet
MAX6383XR34D2-T				-40C to +85C	RoHS/Lead-Free: See data sheet
MAX6383XR34D3-T				-40C to +85C	RoHS/Lead-Free: See data sheet
MAX6383XR34D4-T				-40C to +85C	RoHS/Lead-Free: See data sheet
MAX6383XR34D5-T				-40C to +85C	RoHS/Lead-Free: See data sheet
MAX6383XR36D4-T				-40C to +85C	RoHS/Lead-Free: See data sheet

MAX6383XR36D5-T				-40C to +85C	RoHS/Lead-Free: See data sheet
MAX6383XR38D4-T				-40C to +85C	RoHS/Lead-Free: See data sheet
MAX6383XR38D5-T				-40C to +85C	RoHS/Lead-Free: See data sheet
MAX6383XR38D6-T				-40C to +85C	RoHS/Lead-Free: See data sheet
MAX6383XR38D7-T				-40C to +85C	RoHS/Lead-Free: See data sheet
MAX6383XR39D1-T				-40C to +85C	RoHS/Lead-Free: See data sheet
MAX6383XR39D2-T				-40C to +85C	RoHS/Lead-Free: See data sheet
MAX6383XR39D3-T				-40C to +85C	RoHS/Lead-Free: See data sheet
MAX6383XR39D4-T				-40C to +85C	RoHS/Lead-Free: See data sheet
MAX6383XR39D5-T				-40C to +85C	RoHS/Lead-Free: See data sheet
MAX6383XR38D3-T				-40C to +85C	RoHS/Lead-Free: See data sheet
MAX6383XR38D2-T				-40C to +85C	RoHS/Lead-Free: See data sheet
MAX6383XR38D1-T				-40C to +85C	RoHS/Lead-Free: See data sheet
MAX6383XR36D6-T				-40C to +85C	RoHS/Lead-Free: See data sheet
MAX6383XR36D7-T				-40C to +85C	RoHS/Lead-Free: See data sheet
MAX6383XR37D1-T				-40C to +85C	RoHS/Lead-Free: See data sheet
MAX6383XR37D2-T				-40C to +85C	RoHS/Lead-Free: See data sheet
MAX6383XR37D3-T				-40C to +85C	RoHS/Lead-Free: See data sheet
MAX6383XR37D4-T				-40C to +85C	RoHS/Lead-Free: See data sheet
MAX6383XR37D5-T				-40C to +85C	RoHS/Lead-Free: See data sheet
MAX6383XR37D6-T				-40C to +85C	RoHS/Lead-Free: See data sheet
MAX6383XR37D7-T				-40C to +85C	RoHS/Lead-Free: See data sheet
MAX6383XR39D6-T				-40C to +85C	RoHS/Lead-Free: See data sheet

MAX6383XR20D7-T				-40C to +85C	RoHS/Lead-Free: See data sheet
MAX6383XR31D1+T			SC-70;3 pin;5 mm Dwg: 21-0075C (PDF) Use pkgcode/variation: X3+2*	-40C to +85C	RoHS/Lead-Free: Lead Free Materials Analysis
MAX6383XR16D6-T				-40C to +85C	RoHS/Lead-Free: See data sheet
MAX6383XR16D7-T				-40C to +85C	RoHS/Lead-Free: See data sheet
MAX6383XR17D1-T				-40C to +85C	RoHS/Lead-Free: See data sheet
MAX6383XR17D2-T				-40C to +85C	RoHS/Lead-Free: See data sheet
MAX6383XR17D3-T			SC-70;3 pin;5 mm Dwg: 21-0075C (PDF) Use pkgcode/variation: X3-2*	-40C to +85C	RoHS/Lead-Free: No Materials Analysis
MAX6383XR17D4-T				-40C to +85C	RoHS/Lead-Free: See data sheet
MAX6383XR17D5-T				-40C to +85C	RoHS/Lead-Free: See data sheet
MAX6383XR17D6-T				-40C to +85C	RoHS/Lead-Free: See data sheet
MAX6383XR16D5-T				-40C to +85C	RoHS/Lead-Free: See data sheet
MAX6383XR16D4-T				-40C to +85C	RoHS/Lead-Free: See data sheet
MAX6383XR16D3-T			SC-70;3 pin;5 mm Dwg: 21-0075C (PDF) Use pkgcode/variation: X3-2*	-40C to +85C	RoHS/Lead-Free: No Materials Analysis
MAX6383XR29D3+T			SC-70;3 pin;5 mm Dwg: 21-0075C (PDF) Use pkgcode/variation: X3+2*	-40C to +85C	RoHS/Lead-Free: Lead Free Materials Analysis
MAX6383XR18D2-T			SC-70;3 pin;5 mm Dwg: 21-0075C (PDF) Use pkgcode/variation: X3-2*	-40C to +85C	RoHS/Lead-Free: No Materials Analysis
MAX6383XR41D4-T				-40C to +85C	RoHS/Lead-Free: See data sheet
MAX6383XR46D2+T			SC-70;3 pin;5 mm Dwg: 21-0075C (PDF) Use pkgcode/variation: X3+2*	-40C to +85C	RoHS/Lead-Free: Lead Free Materials Analysis
MAX6383XR43D4-T				-40C to +85C	RoHS/Lead-Free: See data sheet
MAX6383XR44D6-T				-40C to +85C	RoHS/Lead-Free: See data sheet
MAX6383XR16D1-T				-40C to +85C	RoHS/Lead-Free: See data sheet
MAX6383XR16D2-T			SC-70;3 pin;5 mm Dwg: 21-0075C (PDF) Use pkgcode/variation: X3-2*	-40C to +85C	RoHS/Lead-Free: No Materials Analysis
MAX6383XR17D7-T				-40C to +85C	RoHS/Lead-Free: See data sheet
MAX6383XR18D1-T				-40C to +85C	RoHS/Lead-Free: See data sheet

MAX6383XR19D4-T				-40C to +85C	RoHS/Lead-Free: See data sheet
MAX6383XR19D5-T				-40C to +85C	RoHS/Lead-Free: See data sheet
MAX6383XR19D6-T				-40C to +85C	RoHS/Lead-Free: See data sheet
MAX6383XR19D7-T				-40C to +85C	RoHS/Lead-Free: See data sheet
MAX6383XR20D1-T				-40C to +85C	RoHS/Lead-Free: See data sheet
MAX6383XR20D2-T				-40C to +85C	RoHS/Lead-Free: See data sheet
MAX6383XR20D6-T				-40C to +85C	RoHS/Lead-Free: See data sheet
MAX6383XR20D5-T				-40C to +85C	RoHS/Lead-Free: See data sheet
MAX6383XR19D3-T				-40C to +85C	RoHS/Lead-Free: See data sheet
MAX6383XR19D2-T				-40C to +85C	RoHS/Lead-Free: See data sheet
MAX6383XR18D3-T				-40C to +85C	RoHS/Lead-Free: See data sheet
MAX6383XR18D4-T				-40C to +85C	RoHS/Lead-Free: See data sheet
MAX6383XR18D5-T				-40C to +85C	RoHS/Lead-Free: See data sheet
MAX6383XR18D6-T				-40C to +85C	RoHS/Lead-Free: See data sheet
MAX6383XR20D4-T				-40C to +85C	RoHS/Lead-Free: See data sheet
MAX6383XR19D1-T				-40C to +85C	RoHS/Lead-Free: See data sheet
MAX6383XR20D3-T				-40C to +85C	RoHS/Lead-Free: See data sheet
MAX6383XR18D7-T				-40C to +85C	RoHS/Lead-Free: See data sheet
MAX6383XR17D3+T			SC-70;3 pin;5 mm Dwg: 21-0075C (PDF) Use pkgcode/variation: X3+2*	-40C to +85C	RoHS/Lead-Free: Lead Free Materials Analysis
MAX6383XR46D3+T			SC-70;3 pin;5 mm Dwg: 21-0075C (PDF) Use pkgcode/variation: X3+2*	-40C to +85C	RoHS/Lead-Free: Lead Free Materials Analysis
MAX6384	Free Sample	Buy	Package: TYPE PINS FOOTPRINT DRAWING CODE/VAR *	Temp	RoHS/Lead-Free? Materials Analysis
MAX6384LT18D6+T				-40C to +85C	RoHS/Lead-Free: See data sheet
MAX6384LT19D5+T				-40C to +85C	RoHS/Lead-Free: See data sheet

MAX6384LT29D6+T				-40C to +85C	RoHS/Lead-Free: See data sheet
MAX6384LT18D7+T				-40C to +85C	RoHS/Lead-Free: See data sheet
MAX6384LT30D7+T				-40C to +85C	RoHS/Lead-Free: See data sheet
MAX6384LT30D6+T				-40C to +85C	RoHS/Lead-Free: See data sheet
MAX6384LT30D5+T				-40C to +85C	RoHS/Lead-Free: See data sheet
MAX6384LT19D4+T				-40C to +85C	RoHS/Lead-Free: See data sheet
MAX6384LT19D6+T				-40C to +85C	RoHS/Lead-Free: See data sheet
MAX6384LT19D3+T				-40C to +85C	RoHS/Lead-Free: See data sheet
MAX6384LT19D2+T				-40C to +85C	RoHS/Lead-Free: See data sheet
MAX6384LT29D5+T				-40C to +85C	RoHS/Lead-Free: See data sheet
MAX6384LT29D7+T				-40C to +85C	RoHS/Lead-Free: See data sheet
MAX6384LT30D1+T				-40C to +85C	RoHS/Lead-Free: See data sheet
MAX6384LT30D2+T				-40C to +85C	RoHS/Lead-Free: See data sheet
MAX6384LT30D3+T				-40C to +85C	RoHS/Lead-Free: See data sheet
MAX6384LT30D4+T				-40C to +85C	RoHS/Lead-Free: See data sheet
MAX6384LT19D1+T				-40C to +85C	RoHS/Lead-Free: See data sheet
MAX6384LT18D5+T				-40C to +85C	RoHS/Lead-Free: See data sheet
MAX6384LT18D4+T				-40C to +85C	RoHS/Lead-Free: See data sheet
MAX6384LT33D3+T				-40C to +85C	RoHS/Lead-Free: See data sheet
MAX6384LT33D4+T				-40C to +85C	RoHS/Lead-Free: See data sheet
MAX6384LT33D5+T				-40C to +85C	RoHS/Lead-Free: See data sheet
MAX6384LT33D6+T				-40C to +85C	RoHS/Lead-Free: See data sheet
MAX6384LT34D3+T				-40C to +85C	RoHS/Lead-Free: See data sheet

MAX6384LT33D7+T				-40C to +85C	RoHS/Lead-Free: See data sheet
MAX6384LT34D1+T				-40C to +85C	RoHS/Lead-Free: See data sheet
MAX6384LT34D2+T				-40C to +85C	RoHS/Lead-Free: See data sheet
MAX6384LT34D4+T				-40C to +85C	RoHS/Lead-Free: See data sheet
MAX6384LT33D2+T				-40C to +85C	RoHS/Lead-Free: See data sheet
MAX6384LT33D1+T				-40C to +85C	RoHS/Lead-Free: See data sheet
MAX6384LT32D7+T				-40C to +85C	RoHS/Lead-Free: See data sheet
MAX6384LT18D3+T				-40C to +85C	RoHS/Lead-Free: See data sheet
MAX6384LT31D6+T				-40C to +85C	RoHS/Lead-Free: See data sheet
MAX6384LT31D7+T				-40C to +85C	RoHS/Lead-Free: See data sheet
MAX6384LT32D1+T				-40C to +85C	RoHS/Lead-Free: See data sheet
MAX6384LT32D2+T				-40C to +85C	RoHS/Lead-Free: See data sheet
MAX6384LT32D3+T				-40C to +85C	RoHS/Lead-Free: See data sheet
MAX6384LT32D4+T				-40C to +85C	RoHS/Lead-Free: See data sheet
MAX6384LT32D5+T				-40C to +85C	RoHS/Lead-Free: See data sheet
MAX6384LT32D6+T				-40C to +85C	RoHS/Lead-Free: See data sheet
MAX6384LT34D5+T				-40C to +85C	RoHS/Lead-Free: See data sheet
MAX6384LT22D7+T				-40C to +85C	RoHS/Lead-Free: See data sheet
MAX6384LT25D2+T				-40C to +85C	RoHS/Lead-Free: See data sheet
MAX6384LT25D3+T				-40C to +85C	RoHS/Lead-Free: See data sheet
MAX6384LT25D4+T				-40C to +85C	RoHS/Lead-Free: See data sheet
MAX6384LT25D5+T				-40C to +85C	RoHS/Lead-Free: See data sheet
MAX6384LT25D6+T				-40C to +85C	RoHS/Lead-Free: See data sheet

MAX6384LT25D7+T				-40C to +85C	RoHS/Lead-Free: See data sheet
MAX6384LT21D7+T				-40C to +85C	RoHS/Lead-Free: See data sheet
MAX6384LT21D6+T				-40C to +85C	RoHS/Lead-Free: See data sheet
MAX6384LT21D5+T				-40C to +85C	RoHS/Lead-Free: See data sheet
MAX6384LT25D1+T				-40C to +85C	RoHS/Lead-Free: See data sheet
MAX6384LT24D7+T				-40C to +85C	RoHS/Lead-Free: See data sheet
MAX6384LT24D6+T				-40C to +85C	RoHS/Lead-Free: See data sheet
MAX6384LT22D6+T				-40C to +85C	RoHS/Lead-Free: See data sheet
MAX6384LT22D5+T				-40C to +85C	RoHS/Lead-Free: See data sheet
MAX6384LT23D5+T				-40C to +85C	RoHS/Lead-Free: See data sheet
MAX6384LT23D7+T				-40C to +85C	RoHS/Lead-Free: See data sheet
MAX6384LT24D1+T				-40C to +85C	RoHS/Lead-Free: See data sheet
MAX6384LT24D2+T				-40C to +85C	RoHS/Lead-Free: See data sheet
MAX6384LT24D3+T				-40C to +85C	RoHS/Lead-Free: See data sheet
MAX6384LT24D4+T				-40C to +85C	RoHS/Lead-Free: See data sheet
MAX6384LT24D5+T				-40C to +85C	RoHS/Lead-Free: See data sheet
MAX6384LT21D4+T				-40C to +85C	RoHS/Lead-Free: See data sheet
MAX6384LT21D3+T				-40C to +85C	RoHS/Lead-Free: See data sheet
MAX6384LT20D6+T				-40C to +85C	RoHS/Lead-Free: See data sheet
MAX6384LT20D5+T				-40C to +85C	RoHS/Lead-Free: See data sheet
MAX6384LT20D4+T				-40C to +85C	RoHS/Lead-Free: See data sheet
MAX6384LT20D3+T				-40C to +85C	RoHS/Lead-Free: See data sheet
MAX6384LT20D2+T				-40C to +85C	RoHS/Lead-Free: See data sheet

MAX6384LT20D1+T				-40C to +85C	RoHS/Lead-Free: See data sheet
MAX6384LT28D5+T				-40C to +85C	RoHS/Lead-Free: See data sheet
MAX6384LT28D6+T				-40C to +85C	RoHS/Lead-Free: See data sheet
MAX6384LT28D7+T				-40C to +85C	RoHS/Lead-Free: See data sheet
MAX6384LT20D7+T				-40C to +85C	RoHS/Lead-Free: See data sheet
MAX6384LT27D7+T				-40C to +85C	RoHS/Lead-Free: See data sheet
MAX6384LT27D6+T				-40C to +85C	RoHS/Lead-Free: See data sheet
MAX6384LT21D2+T				-40C to +85C	RoHS/Lead-Free: See data sheet
MAX6384LT26D5+T				-40C to +85C	RoHS/Lead-Free: See data sheet
MAX6384LT26D6+T				-40C to +85C	RoHS/Lead-Free: See data sheet
MAX6384LT26D7+T				-40C to +85C	RoHS/Lead-Free: See data sheet
MAX6384LT27D1+T				-40C to +85C	RoHS/Lead-Free: See data sheet
MAX6384LT27D2+T				-40C to +85C	RoHS/Lead-Free: See data sheet
MAX6384LT27D3+T				-40C to +85C	RoHS/Lead-Free: See data sheet
MAX6384LT27D4+T				-40C to +85C	RoHS/Lead-Free: See data sheet
MAX6384LT21D1+T				-40C to +85C	RoHS/Lead-Free: See data sheet
MAX6384LT19D7+T				-40C to +85C	RoHS/Lead-Free: See data sheet
MAX6384LT40D4+T				-40C to +85C	RoHS/Lead-Free: See data sheet
MAX6384LT17D6+T				-40C to +85C	RoHS/Lead-Free: See data sheet
MAX6384LT17D5+T				-40C to +85C	RoHS/Lead-Free: See data sheet
MAX6384LT42D5+T				-40C to +85C	RoHS/Lead-Free: See data sheet
MAX6384LT42D6+T				-40C to +85C	RoHS/Lead-Free: See data sheet
MAX6384LT42D7+T				-40C to +85C	RoHS/Lead-Free: See data sheet

MAX6384LT43D1+T				-40C to +85C	RoHS/Lead-Free: See data sheet
MAX6384LT43D2+T				-40C to +85C	RoHS/Lead-Free: See data sheet
MAX6384LT43D3+T				-40C to +85C	RoHS/Lead-Free: See data sheet
MAX6384LT17D7+T				-40C to +85C	RoHS/Lead-Free: See data sheet
MAX6384LT18D1+T				-40C to +85C	RoHS/Lead-Free: See data sheet
MAX6384LT41D7+T				-40C to +85C	RoHS/Lead-Free: See data sheet
MAX6384LT40D5+T				-40C to +85C	RoHS/Lead-Free: See data sheet
MAX6384LT40D6+T				-40C to +85C	RoHS/Lead-Free: See data sheet
MAX6384LT40D7+T				-40C to +85C	RoHS/Lead-Free: See data sheet
MAX6384LT41D1+T				-40C to +85C	RoHS/Lead-Free: See data sheet
MAX6384LT41D3+T				-40C to +85C	RoHS/Lead-Free: See data sheet
MAX6384LT41D4+T				-40C to +85C	RoHS/Lead-Free: See data sheet
MAX6384LT41D5+T				-40C to +85C	RoHS/Lead-Free: See data sheet
MAX6384LT41D6+T				-40C to +85C	RoHS/Lead-Free: See data sheet
MAX6384LT43D4+T				-40C to +85C	RoHS/Lead-Free: See data sheet
MAX6384LT43D5+T				-40C to +85C	RoHS/Lead-Free: See data sheet
MAX6384LT45D7+T				-40C to +85C	RoHS/Lead-Free: See data sheet
MAX6384LT27D5+T				-40C to +85C	RoHS/Lead-Free: See data sheet
MAX6384LT16D7+T				-40C to +85C	RoHS/Lead-Free: See data sheet
MAX6384LT16D6+T				-40C to +85C	RoHS/Lead-Free: See data sheet
MAX6384LT16D5+T				-40C to +85C	RoHS/Lead-Free: See data sheet
MAX6384LT46D5+T				-40C to +85C	RoHS/Lead-Free: See data sheet
MAX6384LT46D6+T				-40C to +85C	RoHS/Lead-Free: See data sheet

MAX6384LT46D7+T				-40C to +85C	RoHS/Lead-Free: See data sheet
MAX6384LT45D6+T				-40C to +85C	RoHS/Lead-Free: See data sheet
MAX6384LT45D5+T				-40C to +85C	RoHS/Lead-Free: See data sheet
MAX6384LT45D4+T				-40C to +85C	RoHS/Lead-Free: See data sheet
MAX6384LT43D6+T				-40C to +85C	RoHS/Lead-Free: See data sheet
MAX6384LT43D7+T				-40C to +85C	RoHS/Lead-Free: See data sheet
MAX6384LT44D5+T				-40C to +85C	RoHS/Lead-Free: See data sheet
MAX6384LT44D6+T				-40C to +85C	RoHS/Lead-Free: See data sheet
MAX6384LT44D7+T				-40C to +85C	RoHS/Lead-Free: See data sheet
MAX6384LT45D1+T				-40C to +85C	RoHS/Lead-Free: See data sheet
MAX6384LT45D2+T				-40C to +85C	RoHS/Lead-Free: See data sheet
MAX6384LT45D3+T				-40C to +85C	RoHS/Lead-Free: See data sheet
MAX6384LT40D2+T				-40C to +85C	RoHS/Lead-Free: See data sheet
MAX6384LT34D6+T				-40C to +85C	RoHS/Lead-Free: See data sheet
MAX6384LT36D5+T				-40C to +85C	RoHS/Lead-Free: See data sheet
MAX6384LT36D6+T				-40C to +85C	RoHS/Lead-Free: See data sheet
MAX6384LT36D7+T				-40C to +85C	RoHS/Lead-Free: See data sheet
MAX6384LT36D1+T				-40C to +85C	RoHS/Lead-Free: See data sheet
MAX6384LT37D1+T				-40C to +85C	RoHS/Lead-Free: See data sheet
MAX6384LT37D2+T				-40C to +85C	RoHS/Lead-Free: See data sheet
MAX6384LT37D3+T				-40C to +85C	RoHS/Lead-Free: See data sheet
MAX6384LT37D4+T				-40C to +85C	RoHS/Lead-Free: See data sheet
MAX6384LT37D5+T				-40C to +85C	RoHS/Lead-Free: See data sheet

MAX6384LT36D4+T				-40C to +85C	RoHS/Lead-Free: See data sheet
MAX6384LT36D3+T				-40C to +85C	RoHS/Lead-Free: See data sheet
MAX6384LT34D7+T				-40C to +85C	RoHS/Lead-Free: See data sheet
MAX6384LT35D1+T				-40C to +85C	RoHS/Lead-Free: See data sheet
MAX6384LT35D2+T				-40C to +85C	RoHS/Lead-Free: See data sheet
MAX6384LT35D3+T				-40C to +85C	RoHS/Lead-Free: See data sheet
MAX6384LT35D4+T				-40C to +85C	RoHS/Lead-Free: See data sheet

Filter:

Devices: 3001-3500 of 10300

<--- 1 2 3 4 5 6 7 8 9 10 11 12 13 14 15 16 17 18 19 20 --->

Didn't Find What You Need?

- [Next Day Product Selection Assistance from Applications Engineers](#)
- [Parametric Search](#)
- [Applications Help](#)

QuickView

[Description](#)
[Key Features](#)
[Applications/Uses](#)
[Key Specifications](#)
[Diagram](#)

Technical Documents

[Data Sheet](#)
[Application Notes](#)
[Design Guides](#)
[Engineering Journals](#)
[Reliability Reports](#)
[Software/Models](#)
[Evaluation Kits](#)

Ordering Info

[Price and Availability](#)
[Samples](#)
[Buy Online](#)
[Package Information](#)
[Lead-Free Information](#)

More Information

[Related Products](#)
[Notes and Comments](#)
[Evaluation Kits](#)

Document Ref.: 19-1839; Rev 4; 2007-05-10
This page last modified: 2007-07-02

[CONTACT US: SEND US AN EMAIL](#)