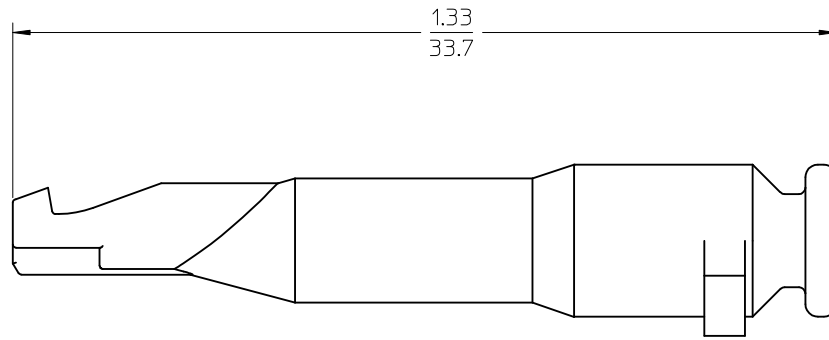
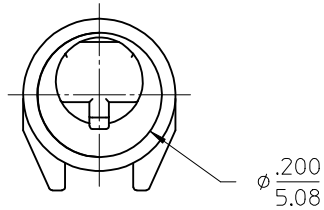
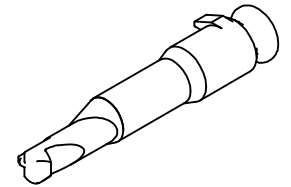


SPRUE ASSY
194310054



SINGLE PART
SCALE 5:1

NOTES:

1. GENERIC MATERIAL NAME: POLYBUTYLENE TEREPHTALATE
MATERIAL ABBREVIATION: PBT
COLOR: NATURAL
GLASS FILLED, UL94 V-0
2. PART IS DESIGNED TO BE USED ON 19432 SERIES REPEPACLE ASSEMBLIES.
3. PART IS PACKAGED 144 STRIPS OF 5 IN A 96707-0023 CARTON.
4. MATERIAL IS ROHS COMPLIANT.

UPDATE NOTE 3 EC NO: IPG2013-1943 DRW: WLEUNG 2013/06/19 CHKD: BRUPERT 2013/06/19 APPR: JF MURPHY 2013/07/10	DESCRIPTION REV B	QUALITY SYMBOLS	GENERAL TOLERANCES (UNLESS SPECIFIED)		DIMENSION STYLE		SCALE	DESIGN UNITS	THIRD ANGLE PROJECTION			
		▼=0 ∇=0	mm	INCH	IN/MM		2:1	INCH				
			4 PLACES ± --- ± ---	3 PLACES ± --- ± .010	2 PLACES ± 0.26 ± .02	1 PLACE ± 0.5 ± ---	DRAWN BY WLEUNG	DATE 2009/10/05	TITLE MX 150L CIRCUIT PLUG W-T-B, 12-10-8AWG			
			ANGULAR ± 1 °		DRAFT WHERE APPLICABLE MUST REMAIN WITHIN DIMENSIONS		CHECKED BY DTITUS	DATE 2009/10/05				
				APPROVED BY DTITUS		DATE 2010/05/07	MOLEX INCORPORATED MATERIAL NO. 194310054 DOCUMENT NO. SD-19431-054 SHEET NO. 1 OF 1					