

# Data sheet

## RP095xxRBWC Type 157 with clip system

Page 1/6

P/N  
311571xx

xx=number of poles

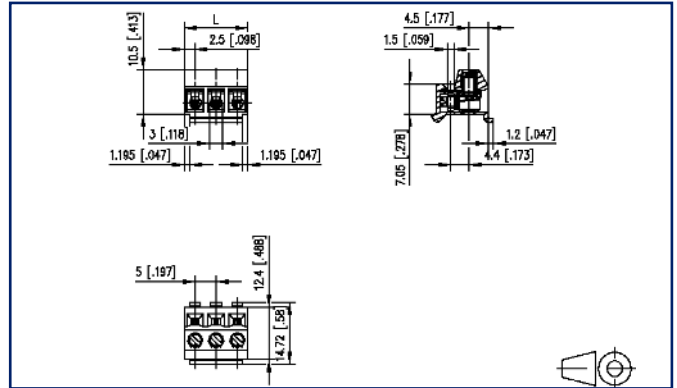
2023/06/26

Version: AI

### Illustrations



Dimensional drawing



See enlarged drawings at the end of document

### Product specification

- screw type terminal block, pluggable
- centerline 5.00 mm, direction of connection 90°
- wire protector, fittable without loss of poles
- color black
- pluggable, top side pin insertion, snap-in technique for mounting into a housing



Data sheet  
**RP095xxRBWC Type 157 with clip system**

**Technical Data**

**General Data**

Tightening torque SEV	0.5 Nm		
Tightening torque UL	4.4 lb-in		
min. number of poles	2		
max. number of poles	24		
Insulating material class	CTI 600		
clearance/creepage dist.	4.15 mm		
Protection category	IP20		
Min. insul. strip length	6 mm		
Rated current	13.5 A		
Overvoltage category	III	III	II
Pollution degree	3	2	2
Rated voltage	63 V	320 V	320 V
Rated test voltage	2.5 kV	2.5 kV	2.5 kV

**Terminal data**

rat.wiring solid AWGmax	0.08 mm <sup>2</sup> - 2.5 mm <sup>2</sup> / AWG 28 - AWG 14		
rat.wiring strand.AWGmax	0.08 mm <sup>2</sup> - 2.5 mm <sup>2</sup> / AWG 28 - AWG 14		

**Approvals**

 V / A / AWG	300 / 5 / 28 - 14		
---	-------------------	--	--

approval UL - File No.	E121004		
------------------------	---------	--	--

 2.5 mm <sup>2</sup>	250 V / 4 kV / 13.5 A		
---	-----------------------	--	--

**Material**

insulating material	PA66		
flammability class	V0		
contact material	CuSn		
Contact surface	Sn		
terminal body thread	M3		
terminal body material	CuZnPb		
terminal body surface	Ni		
screw thread	M3		
screw material	8,8		

Data sheet  
RP095xxRBWC Type 157 with clip system

Page 3/6

P/N  
311571xx

xx=number of poles

2023/06/26

Version: AI

**Technical Data**

screw surface	Zn Cr(VI)-frei/free
wire protector material	CuSn
wire protector surface	Sn
Glow-Wire Flammability GWFI	850 °C acc. to IEC 60695-2-12
Glow-Wire Flammability GWIT	775 °C acc. to IEC 60695-2-13

**Climatic Data**

upper limit temperature	105 °C
lower limit temperature	-40 °C

**general**

Tolerance	ISO 2768 -mH
-----------	--------------

## Data sheet RP095xxRBWC Type 157 with clip system

Page 4/6

P/N  
311571xx

xx=number of poles

2023/06/26

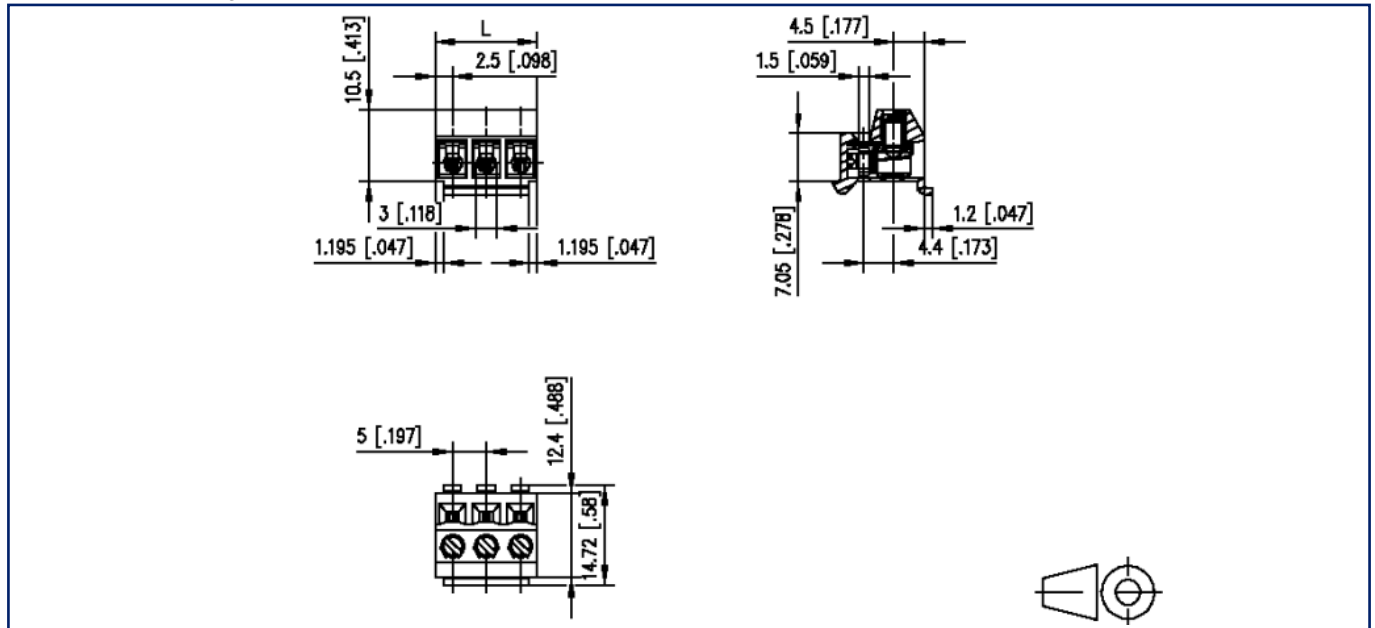
Version: AI

### Counterpart

P/N	Designation
310461	PR035xxVBHC Type 046
313171	PM015xxVBHC Type 317
313181	PM025xxVBHC Type 318

**Illustrations**

Dimensional drawing



$L = (\text{pole size} - 1) \times \text{centerline} + 5 \text{ mm } [0.197]$

**Illustrations**

Application example

