

# HC-STA-B24-HLWD-BLANK-EL-AL - Housing



1420046

<https://www.phoenixcontact.com/us/products/1420046>

Please be informed that the data shown in this PDF document is generated from our online catalog. Please find the complete data in the user documentation. Our general terms of use for downloads are valid.



Sleeve housing B24, with double locking latch, material: Die-cast aluminum, salt water resistant, variable, height: 60 mm, cable gland: none, Standard, Without thread opening for screw connection

## Product description

Sleeve housing, without screw thread

## Your advantages

- Good shielding in the event of electromagnetic interference

## Commercial data

Item number	1420046
Packing unit	1 pc
Minimum order quantity	1 pc
Sales key	BF56
Product key	BF7APB
Catalog page	Page 642 (C-2-2019)
GTIN	4055626201429
Weight per piece (including packing)	278 g
Weight per piece (excluding packing)	278 g
Customs tariff number	85389099
Country of origin	CN

# HC-STA-B24-HLWD-BLANK-EL-AL - Housing



1420046

<https://www.phoenixcontact.com/us/products/1420046>

## Technical data

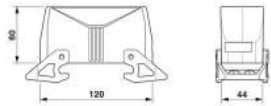
### Notes

General	for contact inserts HC-B24, BB46, D64, DD108, HV10/16, M
General	also available as a powder-coated or color version: 1373297 HC-STA-B24-HLWD-BLANK-EL/...

### Product properties

Type	B24
Product type	Housing with locking latch
Application	Standard
Housing type	Sleeve housing
Cable outlet	variable
Pg screw connection	none

### Dimensions

Dimensional drawing	
Width	44 mm
Height	60 mm
Length	120 mm

### Material specifications

Flammability rating according to UL 94	V0 (Interlock)
Housing surface material	uncoated
Locking latch material	PA
Impact strength	IK09
Housing material	Die-cast aluminum, salt water resistant

### Mechanical properties

#### Mechanical data

Locking type	Latch
--------------	-------

### Environmental and real-life conditions

#### Ambient conditions

Degree of protection	IP66
	IP67
Degree of protection (NEMA)	4 (UL 50e)
	4X (UL 50e)
	12 (UL 50e)
Impact strength	IK09

# HC-STA-B24-HLWD-BLANK-EL-AL - Housing



1420046

<https://www.phoenixcontact.com/us/products/1420046>

Ambient temperature (operation)

-40 °C ... 125 °C

# HC-STA-B24-HLWD-BLANK-EL-AL - Housing

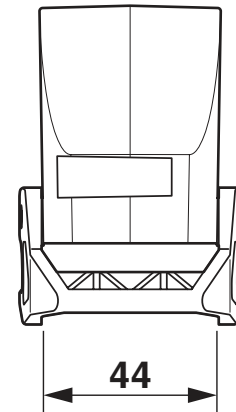
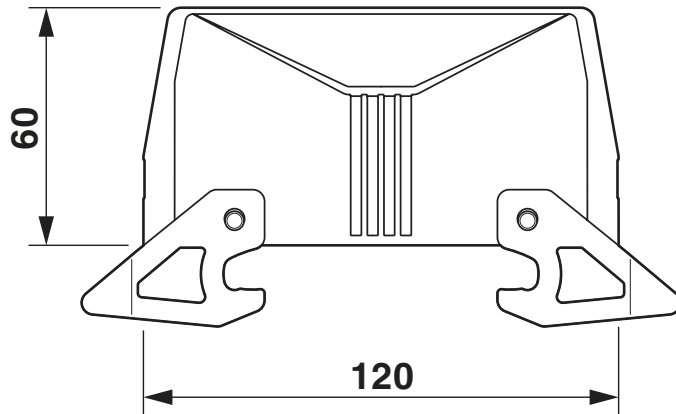
1420046

<https://www.phoenixcontact.com/us/products/1420046>



## Drawings

Dimensional drawing



Dimensional drawing

# HC-STA-B24-HLWD-BLANK-EL-AL - Housing



1420046

<https://www.phoenixcontact.com/us/products/1420046>

## Approvals

🔗 To download certificates, visit the product detail page: <https://www.phoenixcontact.com/us/products/1420046>

**DNV**

Approval ID: TAE000037S



**EAC**

Approval ID: RU C-DE.AI30.B.01102



**EAC**

Approval ID: RU C-DE.BL08.B.00511

# HC-STA-B24-HLWD-BLANK-EL-AL - Housing



1420046

<https://www.phoenixcontact.com/us/products/1420046>

## Classifications

### ECLASS

ECLASS-11.0	27440202
ECLASS-12.0	27440202
ECLASS-13.0	27440202

### ETIM

ETIM 8.0	EC000437
----------	----------

### UNSPSC

UNSPSC 21.0	31261500
-------------	----------

# HC-STA-B24-HLWD-BLANK-EL-AL - Housing



1420046

<https://www.phoenixcontact.com/us/products/1420046>

## Environmental product compliance

China RoHS	Environmentally friendly use period: unlimited = EFUP-e
	No hazardous substances above threshold values

# HC-STA-B24-HLWD-BLANK-EL-AL - Housing



1420046

<https://www.phoenixcontact.com/us/products/1420046>

## Accessories

### US-EMLP (20X9) CUS - Plastic label

0830085

<https://www.phoenixcontact.com/us/products/0830085>



Plastic label, can be ordered: by card, white, labeled according to customer specifications, mounting type: adhesive, lettering field size: 20 x 9 mm, Number of individual labels: 75

---

### HC-B24-HCFD-PR-BK - Protective cover

1346551

<https://www.phoenixcontact.com/us/products/1346551>



Protective cover B24, for double locking latch, protective cover material: PC, height: 26.3 mm, seal: yes



# HC-STA-B24-HLWD-BLANK-EL-AL - Housing



1420046

<https://www.phoenixcontact.com/us/products/1420046>

## US-EMLP-HA (20X9) - Plastic label

0830989

<https://www.phoenixcontact.com/us/products/0830989>

Plastic label, Card, white, unlabeled, can be labeled with: BLUEMARK ID COLOR, BLUEMARK ID, THERMOMARK PRIME, THERMOMARK CARD 2.0, THERMOMARK CARD, mounting type: adhesive, lettering field size: 20 x 9 mm, Number of individual labels: 70



---

Phoenix Contact 2023 © - all rights reserved

<https://www.phoenixcontact.com>

Phoenix Contact USA  
586 Fulling Mill Road  
Middletown, PA 17057, United States  
(+717) 944-1300  
[info@phoenixcon.com](mailto:info@phoenixcon.com)