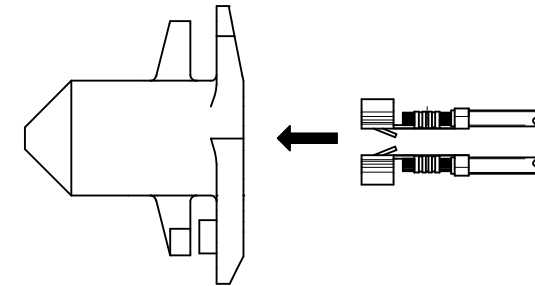
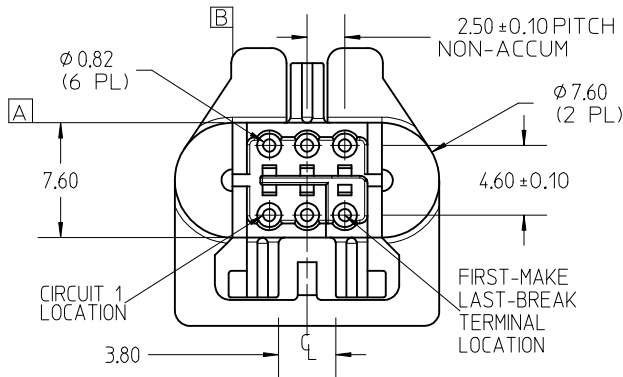
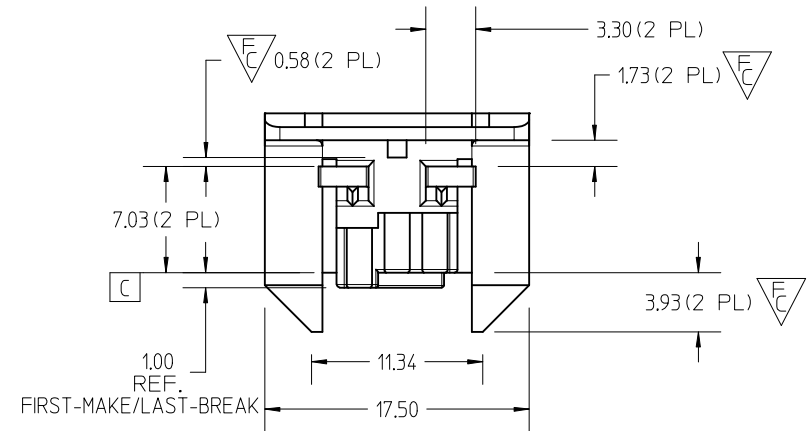
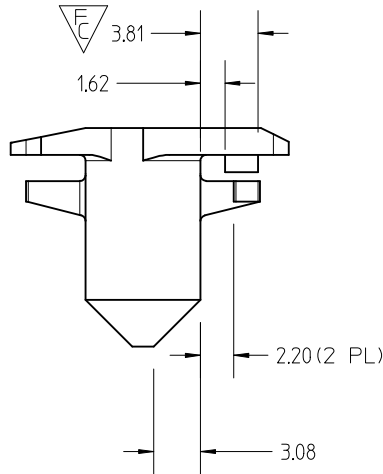
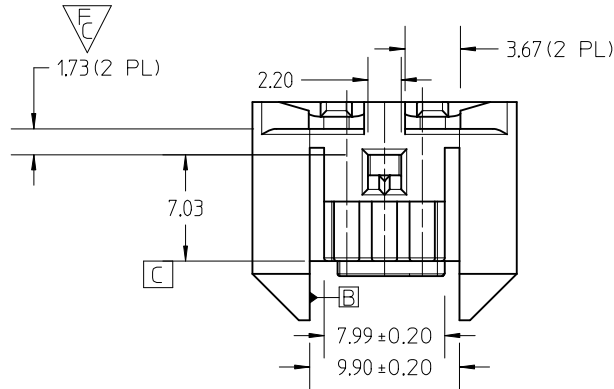
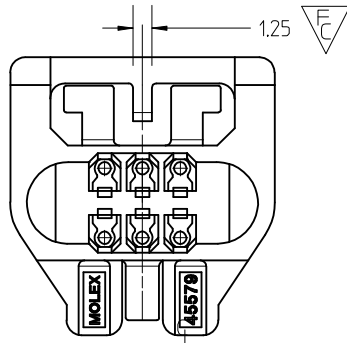


NOTES:

- 1. MATERIAL: POLYESTER, UL94V-0, COLOR: BLACK.
 - 2. PRODUCT SPEC - PS-45579-001.
 - 3. USE FEMALE CRIMP TERMINAL, 08-70-1047 ONLY. (NOTE THE ORIENTATION OF TERMINALS).
 - 4. PART MATES WITH MOLEX HEADER SERIES 45578.
 - 5. PACKAGING: BULK.
 - 6. SEE PAGE 2 OF 2 FOR PANEL CUTOUT DIMENSIONS AND THE ALLOWED BOARD TO PANEL MISALIGNMENT.
 - 7. USE TOOL NUMBER 63813-1400 TO REMOVE TERMINAL FROM HOUSING WHEN NECESSARY.
- CAUTION: TERMINALS MUST NOT BE REUSED AFTER REMOVAL.



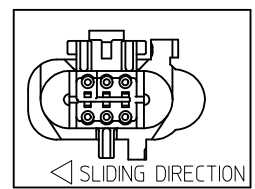
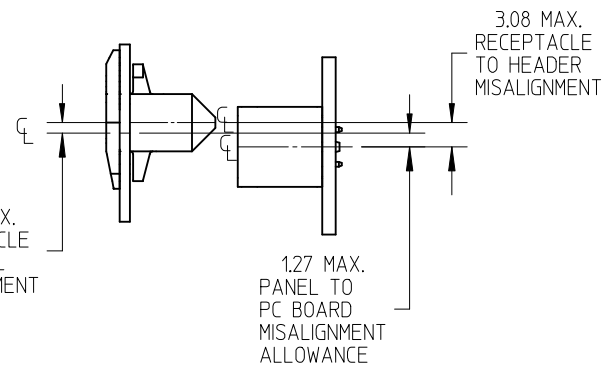
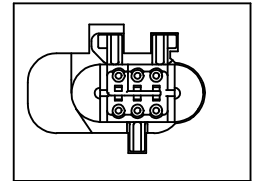
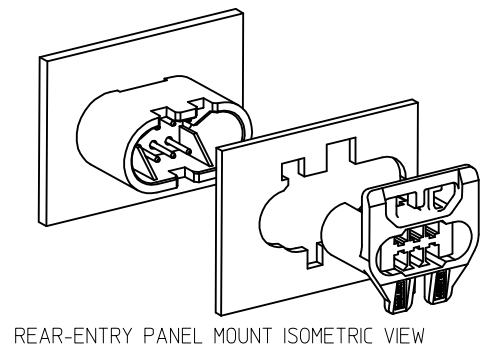
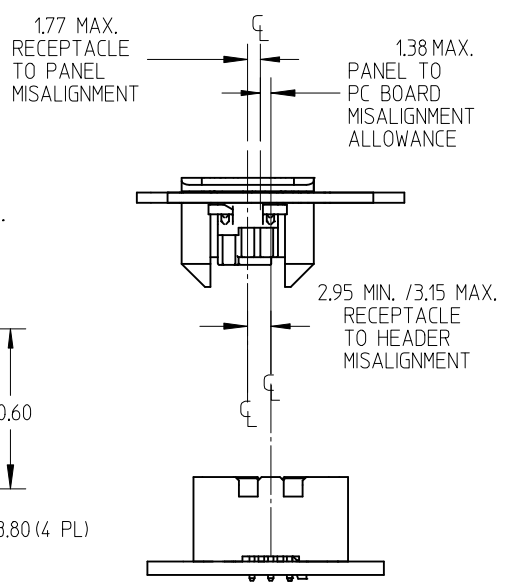
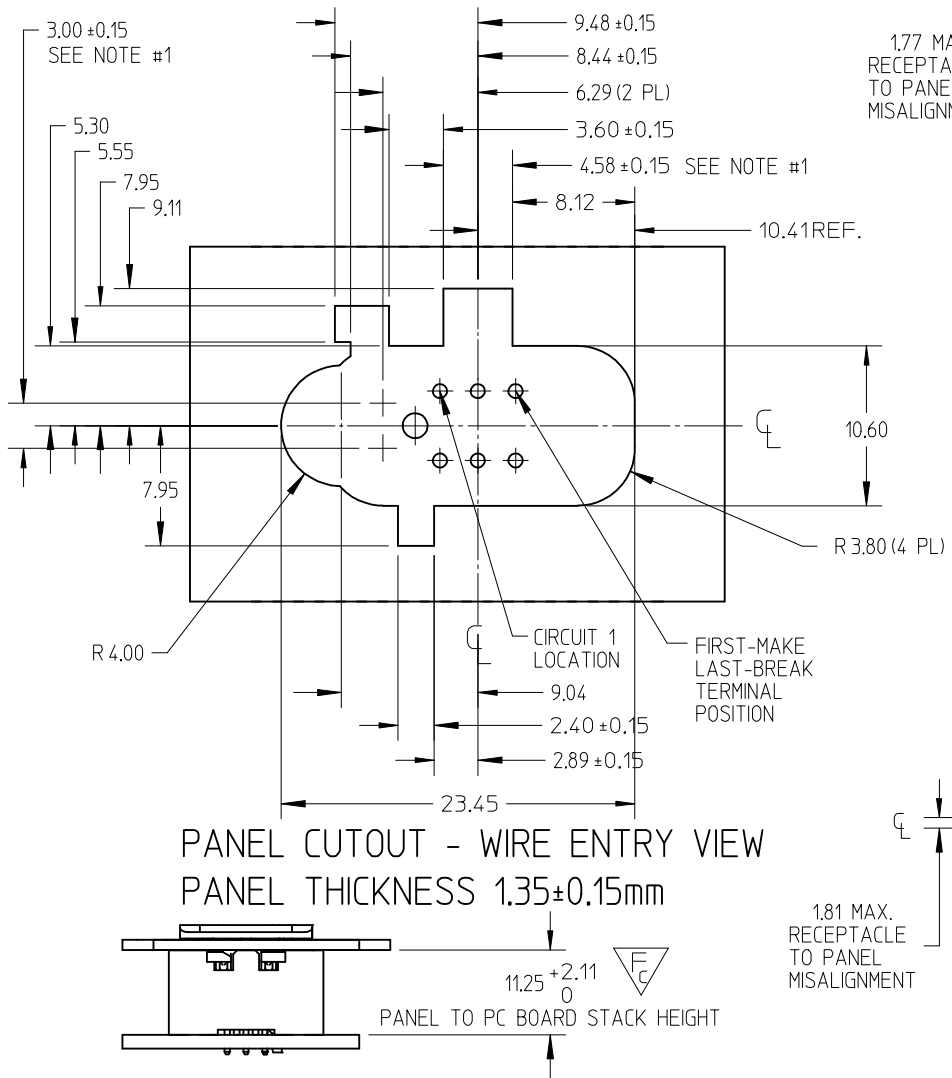
TERMINALS ARE TO BE ORIENTED AND LOADED INTO THE HOUSING AS SHOWN ABOVE

REVISE NOTE 3 EC NO: UCP2013-1206 DRWN:BBEE 2012/09/25 CHKD:NGUYEN 2012/09/26 APPR:FSM/TH 2012/10/12	DESCRIPTION	QUALITY SYMBOLS
		▽E=0
		▽E=6
		▽E=0
F3	REV	

GENERAL TOLERANCES (UNLESS SPECIFIED)		
	mm	INCH
4 PLACES	± ---	± ---
3 PLACES	± ---	± ---
2 PLACES	± 0.25	± ---
1 PLACE	± 0.3	± ---
0 PLACE	±	±
ANGULAR ± 1/2°		
DRAFT WHERE APPLICABLE MUST REMAIN WITHIN DIMENSIONS		

DIMENSION STYLE	
MM ONLY	
DRAWN BY	DATE
TGREGORI	2003/07/02
CHECKED BY	DATE
MCARRANZ	2003/07/03
APPROVED BY	DATE
APATEL	2003/07/07
MATERIAL NO.	
45579-0001	
SIZE	
A	

SCALE	DESIGN UNITS	THIRD ANGLE PROJECTION	
2:1	METRIC		
TITLE			
SPOX BMI RECEPTACLE HOUSING, 6 PIN REAR-ENTRY PANEL MOUNT			
molex			
DOCUMENT NO.		SHEET NO.	
SD-45579-001		1 OF 2	



PANEL CUTOUT - WIRE ENTRY VIEW
PANEL THICKNESS 1.35 ± 0.15mm

NOTES:
1. USE THIS DIMENSION TO ESTABLISH CENTERLINE OF THE PANEL CUTOUT

SEE SHEET 1 EC NO: UCP2013-1206 DRWN:BBEE 2012/09/25 CHKD:NGUYEN 2012/09/26 APPR:FSM TH 2012/10/12	QUALITY SYMBOLS	DESCRIPTION
	$\nabla = 0$	
	$\nabla = 1$	
	$\nabla = 0$	
E3	REV	

GENERAL TOLERANCES (UNLESS SPECIFIED)		
	mm	INCH
4 PLACES	± ---	± ---
3 PLACES	± ---	± ---
2 PLACES	± 0.25	± ---
1 PLACE	± 0.3	± ---
0 PLACE	±	±
ANGULAR ± 1/2°		
DRAFT WHERE APPLICABLE MUST REMAIN WITHIN DIMENSIONS		

DIMENSION STYLE MM ONLY	
DRAWN BY TGREGORI	DATE 2003/07/02
CHECKED BY MCARRANZ	DATE 2003/07/03
APPROVED BY APATEL	DATE 2003/07/07
MATERIAL NO. 45579-0001	
SIZE A	

SCALE 1:1	DESIGN UNITS METRIC	THIRD ANGLE PROJECTION	
TITLE SPOX BMI RECEPTACLE HOUSING, 6 PIN REAR-ENTRY PANEL MOUNT			
DOCUMENT NO. SD-45579-001			SHEET NO. 2 OF 2
THIS DRAWING CONTAINS INFORMATION THAT IS PROPRIETARY TO MOLEX INCORPORATED AND SHOULD NOT BE USED WITHOUT WRITTEN PERMISSION			