

MATERIALS AND FINISHES:

BODY: ZINC ALLOY
PLATED NICKEL

CONTER CONTACT: PHOSPHOR BRONZE
PLATED GOLD

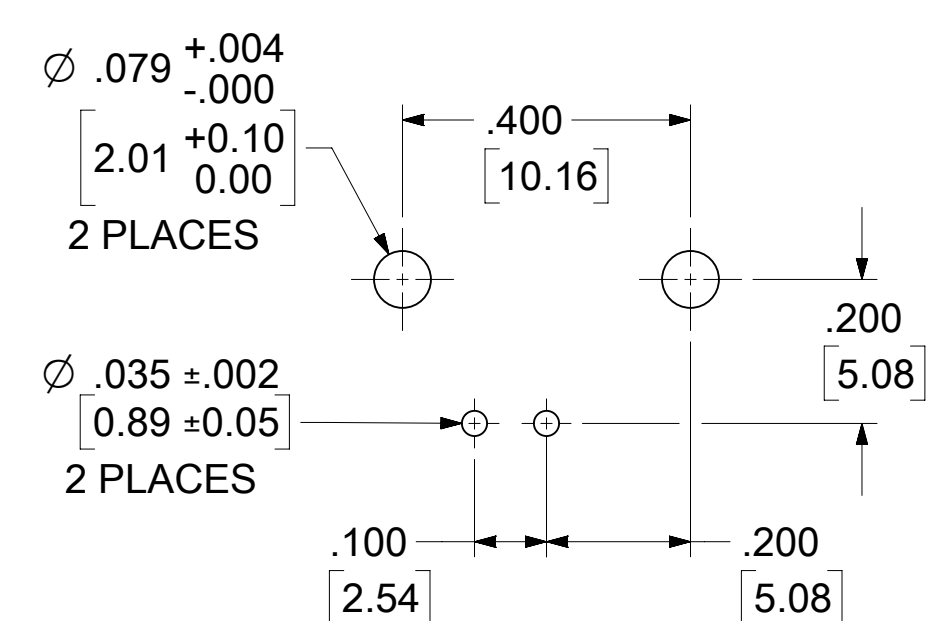
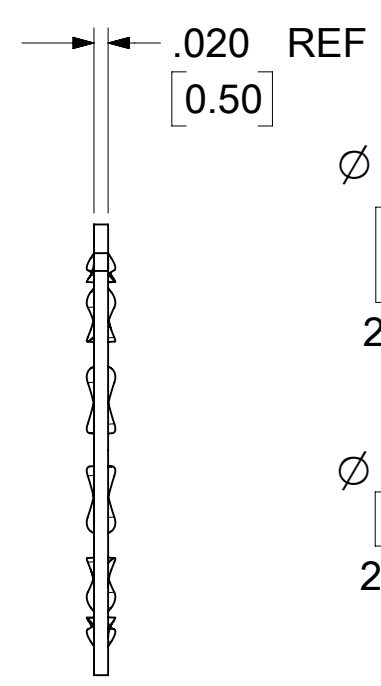
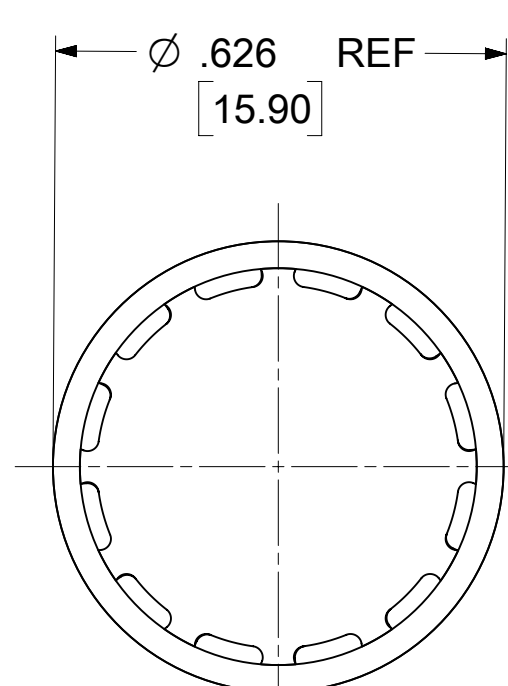
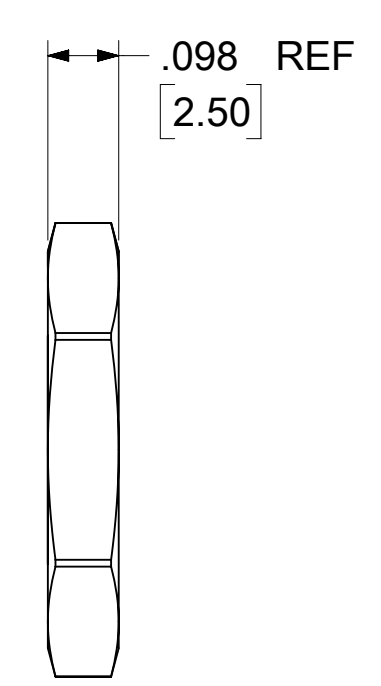
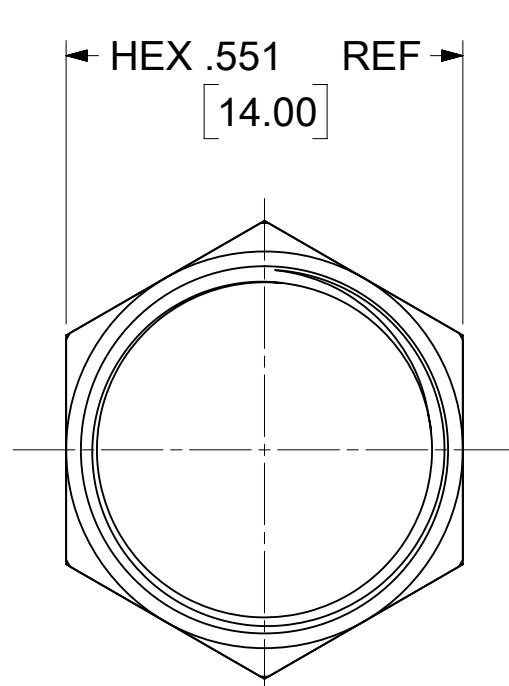
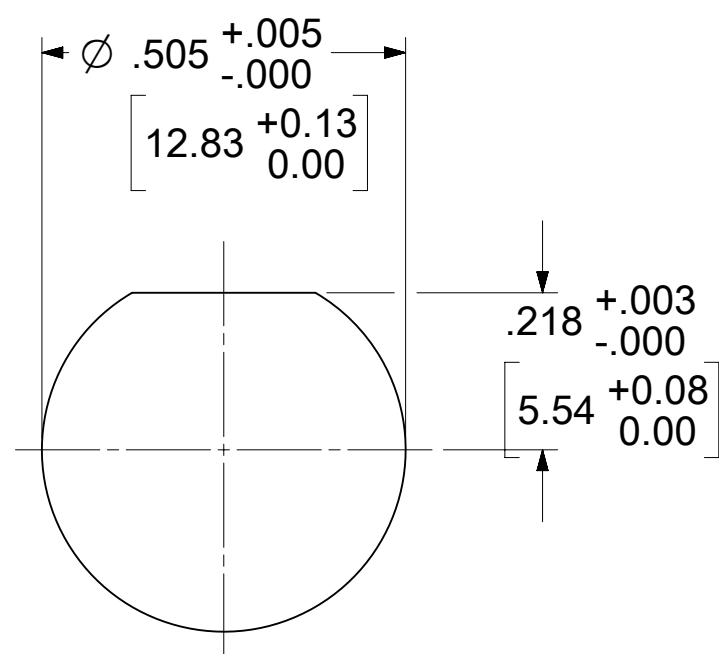
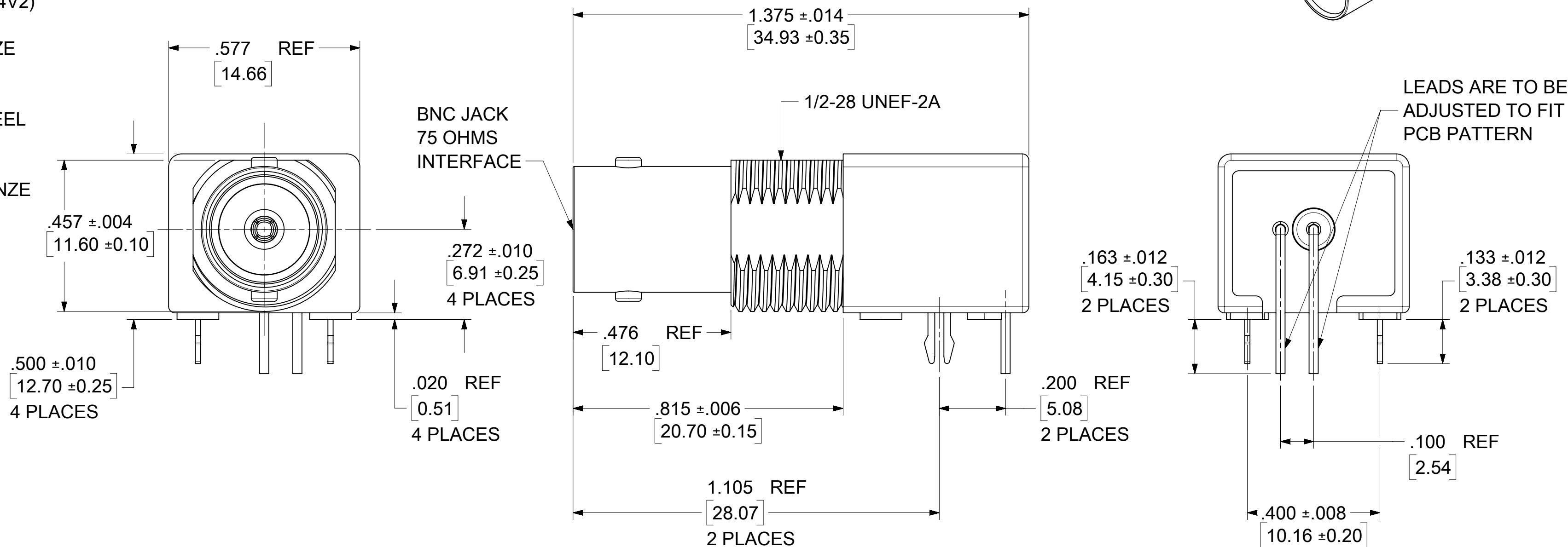
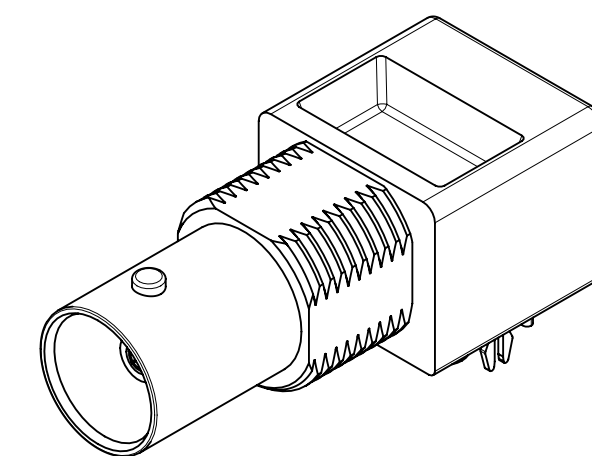
INSULATOR: POLYPROPYLENE (94V2)

BOARD LOCK: PHOSPHOR BRONZE
PLATED TIN

SOLDER TAIL: COPPER OVER STEEL
PLATED TIN

LOCK WASHER: PHOSPHOR BRONZE
PLATED NICKEL

JAM NUT: BRASS
PLATED NICKEL



RECOMMENDED MOUNTING HOLE
PANEL THICKNESS: .213 (5.40) MAX
RECOMMENDED MOUNTING TORQUE
1.36 N-m (12 INCH-LBS) MAX.

RECOMMENDED PCB HOLE
CONFIGURATION

73171-0561	ONE PER BAG
73171-0560	TRAY
PART NO.	PACKAGING

PS-89675-1030	PRODUCT SPECIFICATION
SEPCIFICATION	DESCRIPTION

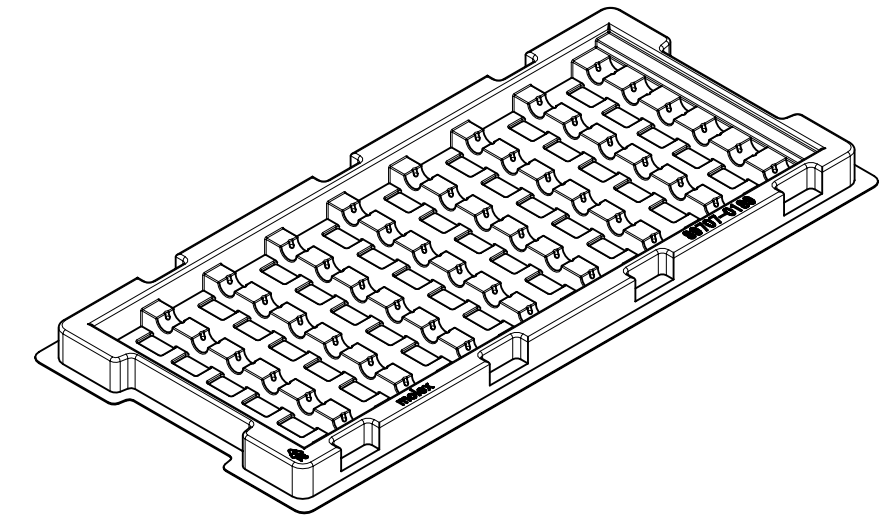
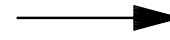
THIS DRAWING CONTAINS INFORMATION THAT IS PROPRIETARY TO MOLEX ELECTRONIC TECHNOLOGIES, LLC AND SHOULD NOT BE USED WITHOUT WRITTEN PERMISSION

DIMENSION UNITS	SCALE	CURRENT REV DESC: ADD PACKING PER EWR #15158-B	molex		
INCH/MM	NTS				
GENERAL TOLERANCES (UNLESS SPECIFIED)			BNC JACK R/A PCB, 75 OHM DIE CAST BNC-J/RA/PCB		
ANGULAR TOL	± 2.0°	EC NO: 707341	PRODUCT CUSTOMER DRAWING		
4 PLACES	±	DRWN: RYEH 2022/05/13	DOCUMENT NUMBER		
3 PLACES	±	CHK'D: YCHENG 2022/05/20	SD-73171-056		
2 PLACES	±	APPR: YCHENG 2022/05/20	DOC TYPE DOC PART REVISION		
1 PLACE	±	INITIAL REVISION:	PSD 001 A3		
0 PLACES	±	DRWN: BOMALLEY 2012/02/01	MATERIAL NUMBER		
		APPR: SEE DRWN 1998/08/21	CUSTOMER		
DRAFT WHERE APPLICABLE MUST REMAIN WITHIN DIMENSIONS			THIRD ANGLE PROJECTION	DRAWING	SHEET NUMBER
				C-SIZE	73171
				GENERAL MARKET	1 OF 3

FOR 73171-0560



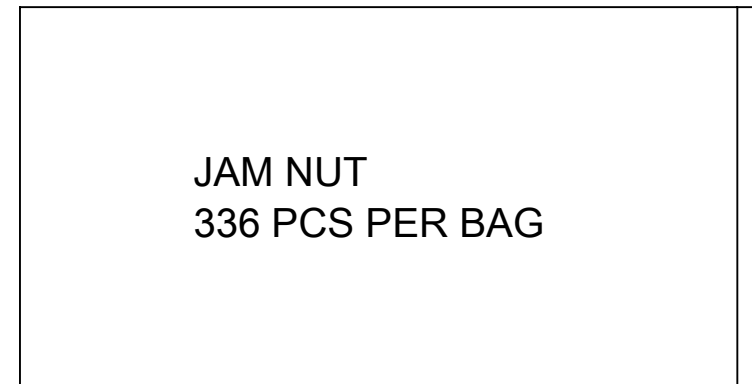
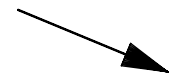
CONNECTOR



48 SETS PER TRAY



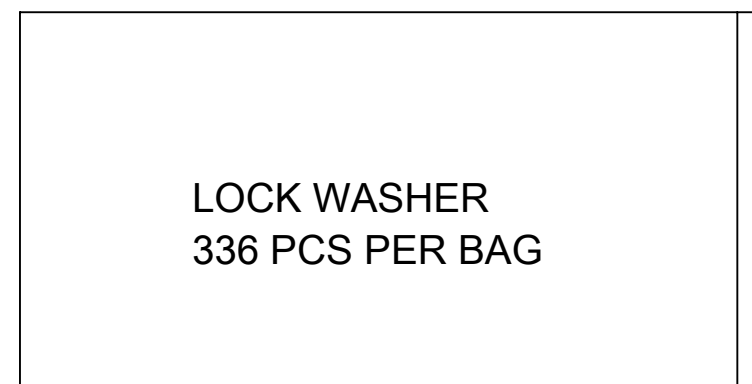
JAM NUT



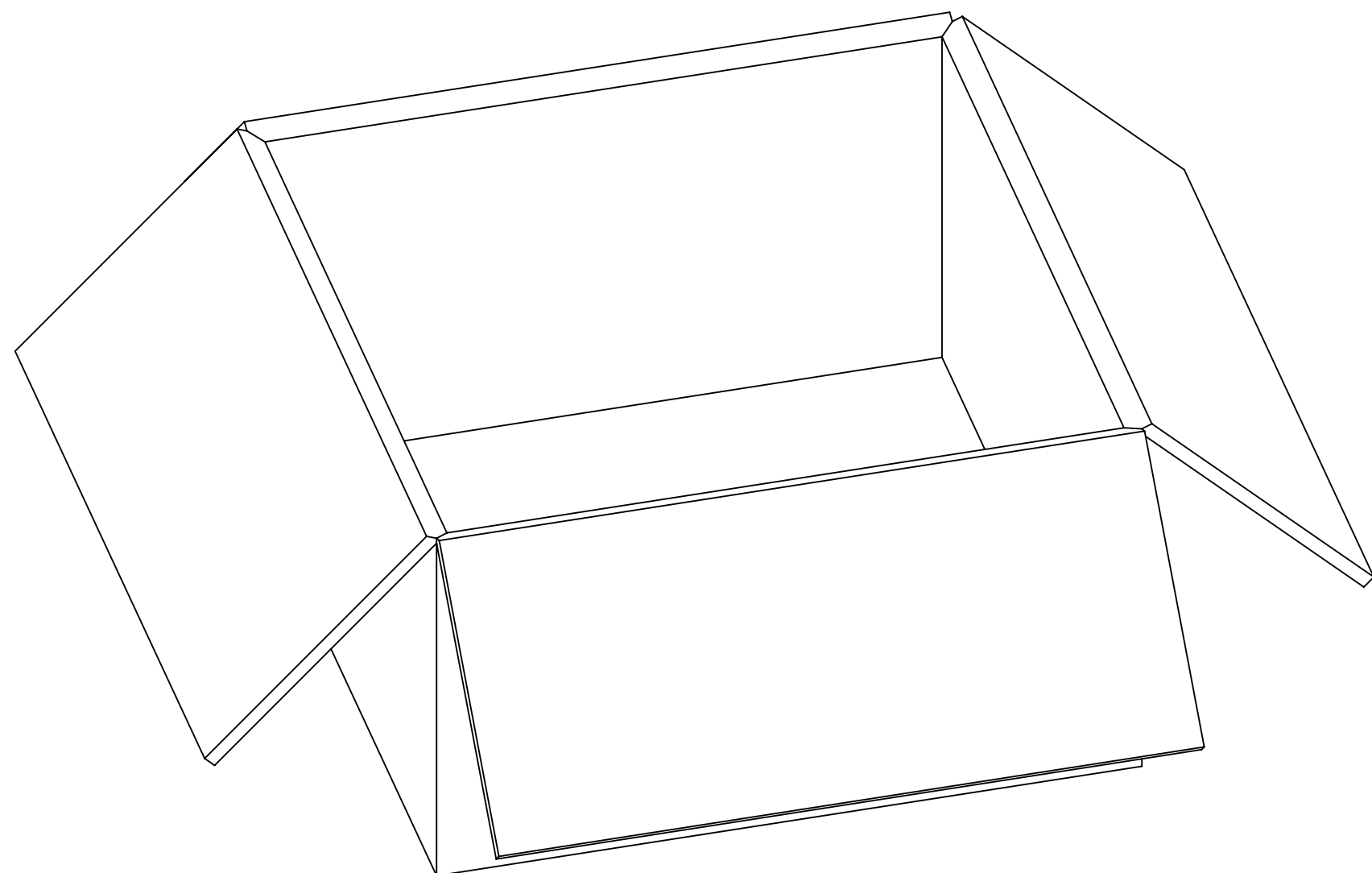
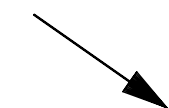
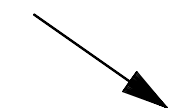
JAM NUT
336 PCS PER BAG



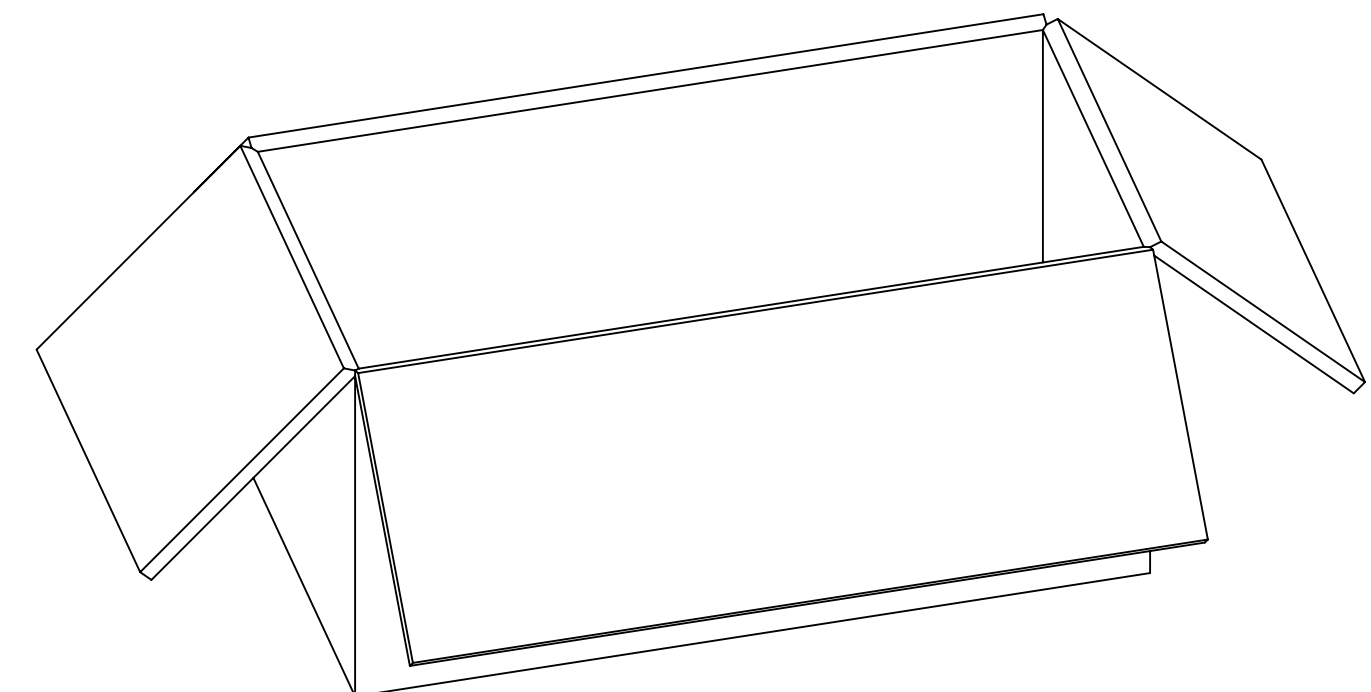
LOCK WASHER



LOCK WASHER
336 PCS PER BAG



672 SETS PER OUTER
CARTON BOX



336 SETS PER INNER
CARTON BOX



THIS DRAWING CONTAINS INFORMATION THAT IS PROPRIETARY TO MOLEX ELECTRONIC TECHNOLOGIES, LLC AND SHOULD NOT BE USED WITHOUT WRITTEN PERMISSION									
DIMENSION UNITS		SCALE		CURRENT REV DESC: ADD PACKING PER EWR #15158-B				molex	
INCH/MM		NTS							
GENERAL TOLERANCES (UNLESS SPECIFIED)				EC NO: 707341				BNC JACK R/A PCB, 75 OHM DIE CAST BNC-J/RA/PCB	
ANGULAR TOL ± 2.0°				DRWN: RYEH 2022/05/13					
4 PLACES ±				CHK'D: YCHENG 2022/05/20					
3 PLACES ±				APPR: YCHENG 2022/05/20				PRODUCT CUSTOMER DRAWING	
2 PLACES ±				INITIAL REVISION:				DOCUMENT NUMBER	
1 PLACE ±				DRWN: BOMALLEY 2012/02/01				SD-73171-056	
0 PLACES ±				APPR: SEE DRWN 1998/08/21				DOC TYPE DOC PART REVISION	
DRAFT WHERE APPLICABLE MUST REMAIN WITHIN DIMENSIONS		THIRD ANGLE PROJECTION		DRAWING		SERIES		MATERIAL NUMBER	
				C-SIZE		73171		SEE TABLE	
DOCUMENT STATUS		P1		RELEASE DATE		2022/05/20 02:29:51		CUSTOMER	
								GENERAL MARKET	
								SHEET NUMBER	
								2 OF 3	

FOR 73171-0561



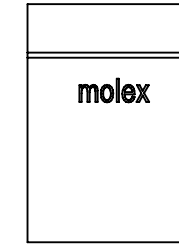
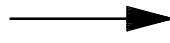
CONNECTOR



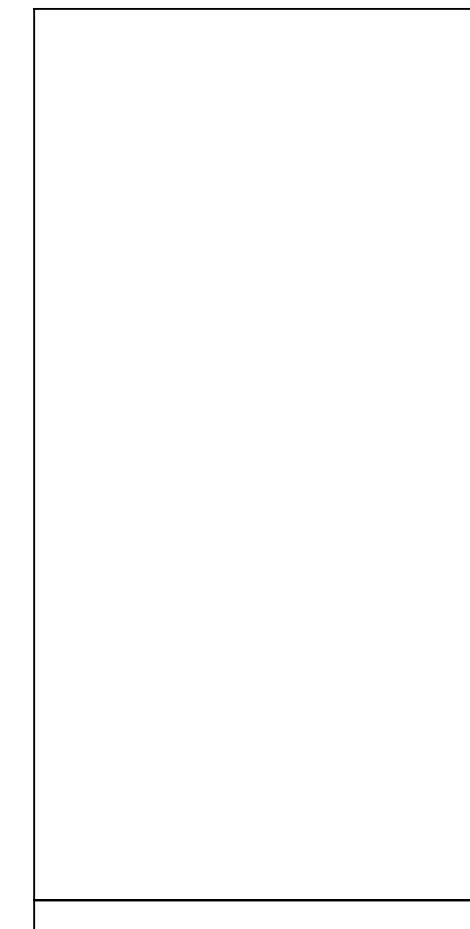
JAM NUT



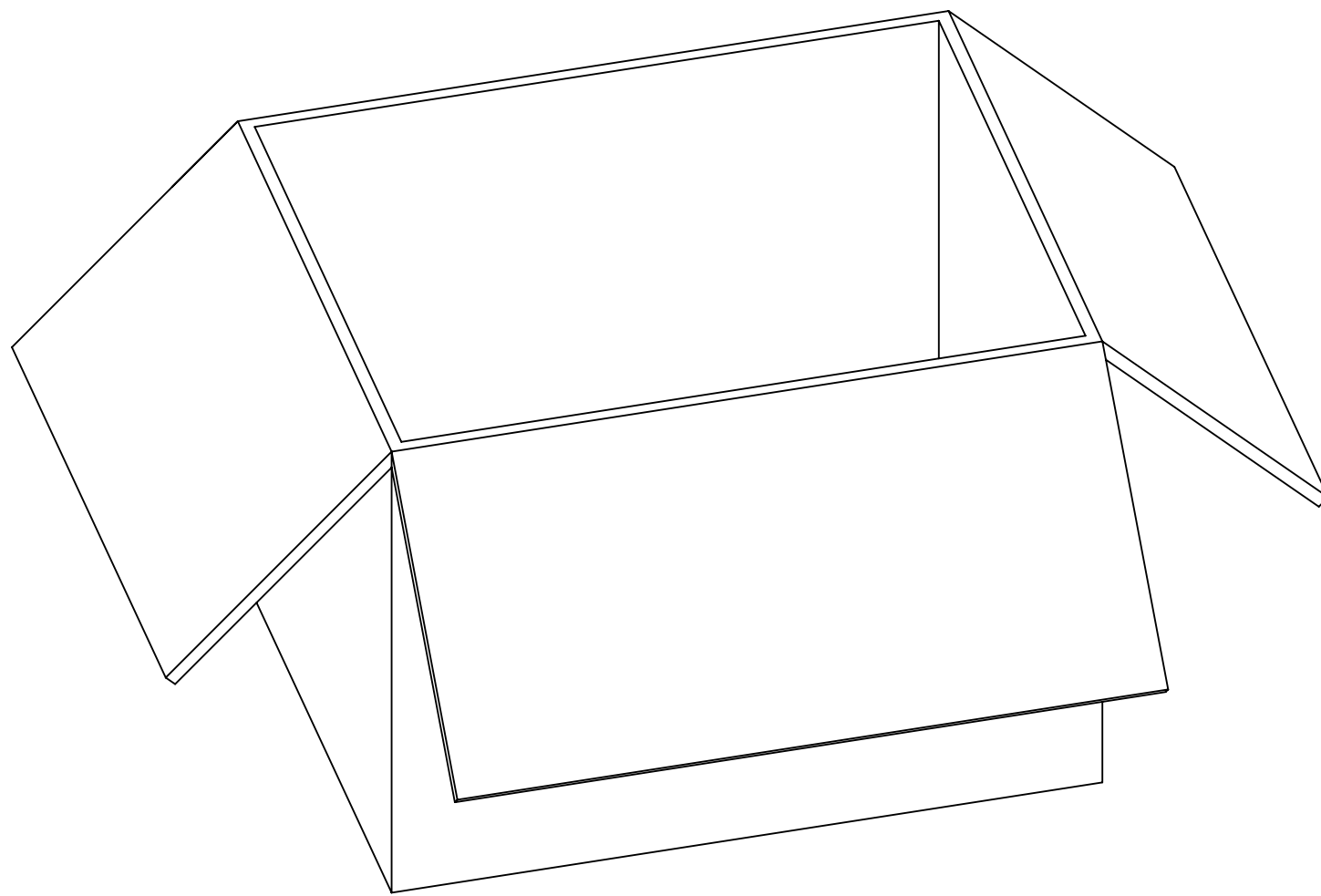
LOCK WASHER



1 SET PER BAG



50 SETS PER BAG



500 SETS PER CARTON BOX

THIS DRAWING CONTAINS INFORMATION THAT IS PROPRIETARY TO MOLEX ELECTRONIC TECHNOLOGIES, LLC AND SHOULD NOT BE USED WITHOUT WRITTEN PERMISSION

DIMENSION UNITS		SCALE		CURRENT REV DESC: ADD PACKING PER EWR #15158-B				molex					
INCH/MM		NTS											
GENERAL TOLERANCES (UNLESS SPECIFIED)								BNC JACK R/A PCB, 75 OHM DIE CAST BNC-J/RA/PCB					
ANGULAR TOL ± 2.0°													
4 PLACES		±		EC NO: 707341				PRODUCT CUSTOMER DRAWING					
3 PLACES		±		DRWN: RYEH		2022/05/13							
2 PLACES		±		CHK'D: YCHENG		2022/05/20							
1 PLACE		±		APPR: YCHENG		2022/05/20		DOCUMENT NUMBER SD-73171-056					
0 PLACES		±		INITIAL REVISION:									
DRAFT WHERE APPLICABLE MUST REMAIN WITHIN DIMENSIONS		THIRD ANGLE PROJECTION		DRAWING		SERIES		MATERIAL NUMBER		CUSTOMER		SHEET NUMBER	
				C-SIZE		73171		SEE TABLE		GENERAL MARKET		3 OF 3	

DOCUMENT STATUS	P1	RELEASE DATE	2022/05/20	02:29:51
-----------------	----	--------------	------------	----------