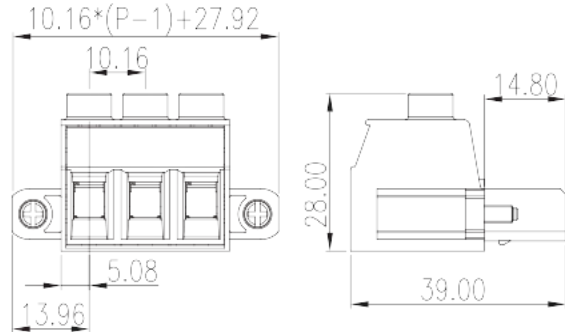


# EC116VM-XXP

PCB Terminal Blocks > PCB Connector-Plug

Date:2021-10-04



The web catalog is for reference only. Dinkle remains the right of product modification and engineering change of the design. The final product is made according to engineering drawing.

## Product Description

Pitch: 10.16 mm, 600V, 51A

## General information

|                     |                                      |
|---------------------|--------------------------------------|
| Short description   | PCB Connector-Plug, Screw Connection |
| Category            | PCB Connector-Plug                   |
| Pitch (mm)          | 10.16                                |
| Color               | Green (default)                      |
| Connection method   | Screw connection                     |
| Type of locking     | With screw flange                    |
| Length (mm)         | $10.16*(P-1)+27.92$                  |
| Width (mm)          | 39                                   |
| Height (mm)         | 28                                   |
| Number of positions | 02P~08P                              |
| Level               | Single level                         |

## Material information

|  |    |
|--|----|
| Insulation material                          | PA |
| Insulation material group                    | I  |
| Flame retardant rating , compliant with UL94 | V0 |

|                              |                   |
|------------------------------|-------------------|
| Insulation resistance        | □500MΩ at DC 500V |
| Conductor material           | COPPER ALLOY      |
| Plating of conductor surface | Ag PLATED         |

## Connection data-IEC

|   |      |
|---|------|
| Rated voltage (V)   | 1000 |
| Rated current (A)   | 76   |
| Rated voltage (II/2)(V)   | 1000 |
| Rated voltage (III/2) (V)   | 1000 |
| Rated voltage (III/3)(V)  | 1000 |
| Rated impulse voltage (II/2)(KV)  | 6    |
| Rated impulse voltage (III/2)(KV)   | 8    |
| Rated impulse voltage (III/3)(KV)   | 8    |
| Conductor cross section solid. min (mm <sup>2</sup> )   | 0.5  |
| Conductor cross section solid.max (mm <sup>2</sup> )  | 16   |
| Conductor cross section stranded. min (mm <sup>2</sup> )  | 0.5  |
| Conductor cross section stranded. max (mm <sup>2</sup> )  | 16   |
| Conductor cross section flexible, with min ferrule without plastic sleeve (mm <sup>2</sup> )              | 0.5  |
| Conductor cross section flexible, with max ferrule without plastic sleeve (mm <sup>2</sup> )              | 16   |
| Conductor cross section flexible, with min ferrule with plastic sleeve (mm <sup>2</sup> )                 | 0.5  |
| Conductor cross section flexible, with max ferrule with plastic sleeve (mm <sup>2</sup> )                 | 10   |
| 2 conductors with same cross section, solid, min (mm <sup>2</sup> )                                       | 0.5  |
| 2 conductors with same cross section, solid, max (mm <sup>2</sup> )                                       | 6    |
| 2 conductors with same cross section, stranded, min (mm <sup>2</sup> )                                    | 0.5  |
| 2 conductors with same cross section, stranded, max (mm <sup>2</sup> )                                    | 6    |
| 2 conductors with same cross section flexible, with min ferrule without plastic sleeve (mm <sup>2</sup> ) | 0.5  |
| 2 conductors with same cross section flexible, with max ferrule without plastic sleeve (mm <sup>2</sup> ) | 4    |
| 2 conductors with same cross section flexible, min twin ferrules with plastic sleeve (mm <sup>2</sup> )   | 0.5  |
| 2 conductors with same cross section flexible, max twin ferrules with plastic sleeve (mm <sup>2</sup> )   | 4    |

|  |         |
|--|---------|
| Philips screwdriver size                 | 1.0*5.5 |
| Rated torque (N.m)                       | 1.8     |
| Tightening torque with flange. max (N.m) | 0.5     |
| Stripping Length (mm)                    | 14~15   |

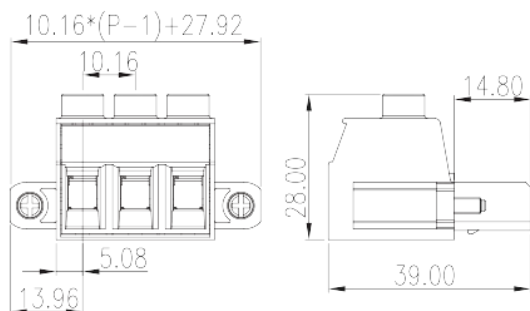
## Connection data-UL

|   |     |
|---|-----|
| Rated voltage (UL/CUL Group B)(V)               | 600 |
| Rated current (UL/CUL Group B)(A)               | 51  |
| Rated voltage (UL/CUL Group C)(V)               | 600 |
| Rated current (UL/CUL Group C)(A)               | 51  |
| Rated voltage (UL/CUL Group D)(V)               | 600 |
| Rated current (UL/CUL Group D)(A)               | 5   |
| Min. solid wire connection (AWG) acc. to UL/CUL | 16  |
| Max. solid wire connection AWG acc. to UL/CUL   | 6   |

## Environment & Safety

|                                 |     |
|---------------------------------|-----|
| Finger protection (YES or NO)   | YES |
| Operating temperature. max (°C) | 120 |
| Operating temperature. min (°C) | -40 |

## Drawings



## Approvals

