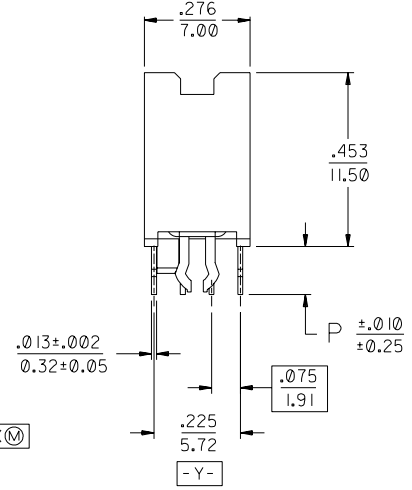
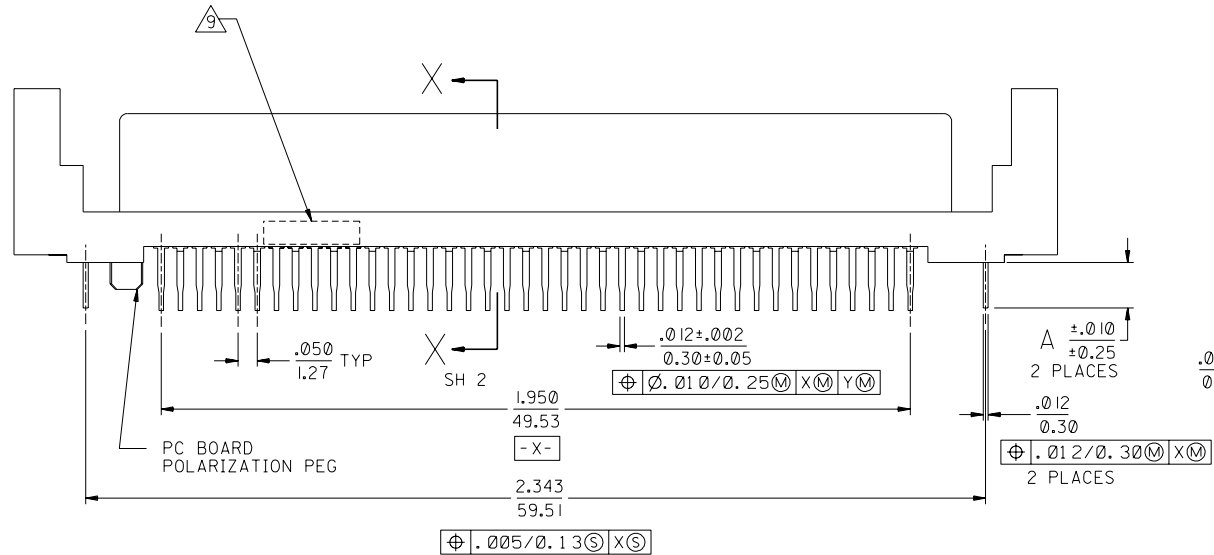
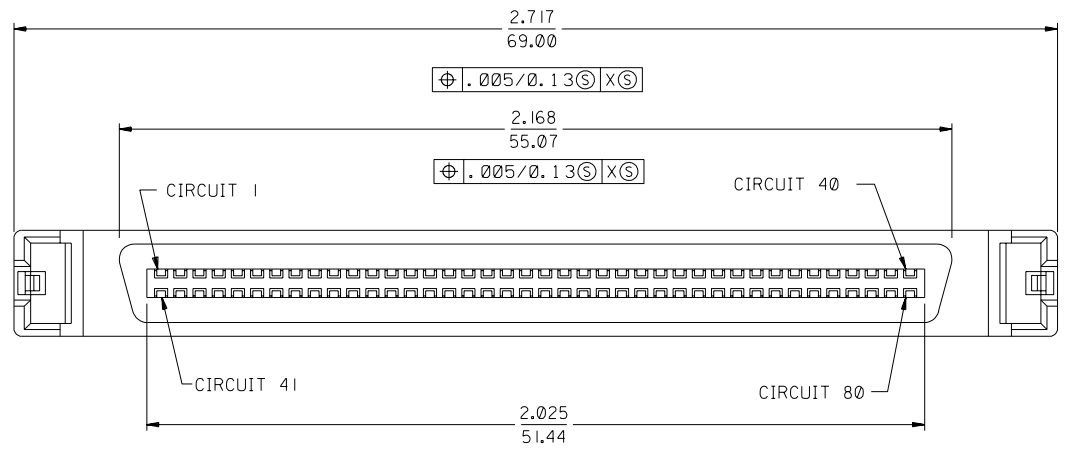


NOTES:

- 1) MATERIALS:
HOUSING- LIQUID CRYSTAL POLYMER (LCP), GLASS FILLED,
UL 94V-0, BLACK.
TERMINALS- COPPER ALLOY
ESD METAL PEGS- COPPER ALLOY.
- 2) FINISH OPTION 1:
TERMINALS:
.000030/(0.00076) MINIMUM GOLD IN CONTACT AREA AND
.000100/(0.00254) MINIMUM TIN IN TAIL AREA OVER
NICKEL UNDERPLATE OVERALL.
ESD METAL PEGS:
.000150/(0.00381) MINIMUM TIN OVER
NICKEL UNDERPLATE OVERALL.
- 3) FINISH OPTION 2:
TERMINALS:
GOLD FLASH IN SELECT CONTACT AREA OVER
.000030/(0.00076) MINIMUM PALLADIUM NICKEL
IN CONTACT AREA AND
.000075/(0.00191) MINIMUM TIN IN TAIL AREA OVER
NICKEL UNDERPLATE OVERALL.
ESD METAL PEGS:
.000150/(0.00381) MINIMUM TIN OVER
NICKEL UNDERPLATE OVERALL.
- 4) CONFORMS TO PRODUCT SPECIFICATION PS-73826-0000.
- 5) CIRCUIT NUMBERS 1, 36 THRU 43, 45, 46, AND 75 THRU 80,
ARE ADVANCED (LONG) TERMINALS FOR SEQUENTIAL MATING.
- 6) CONNECTOR WILL ACCEPT MATING TO A P.C. BOARD WITH
A THICKNESS OF .062±.003 (1.60±0.08).
- 7) SEE TABLE FOR RECOMMENDED P.C. BOARD THICKNESS.
- 8) PRODUCT PACKAGED PER PK-70873-083*
- 9) FOUR DIGIT DATE CODE (WK, YR), EXAMPLE => 26 96
LOCATED IN AREA INDICATED.

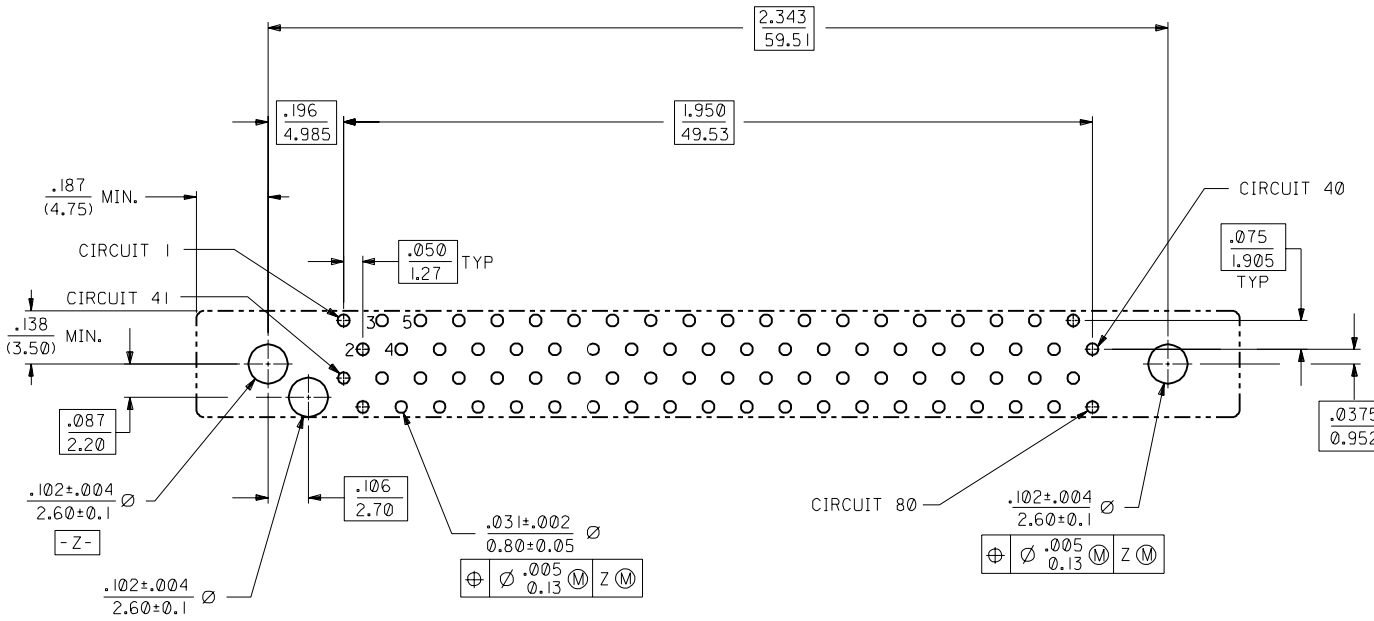
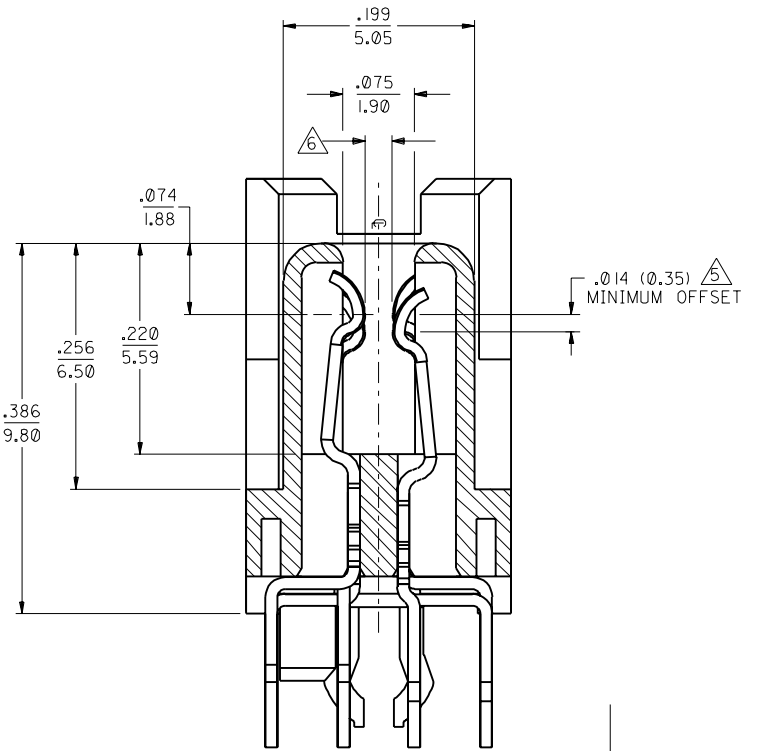
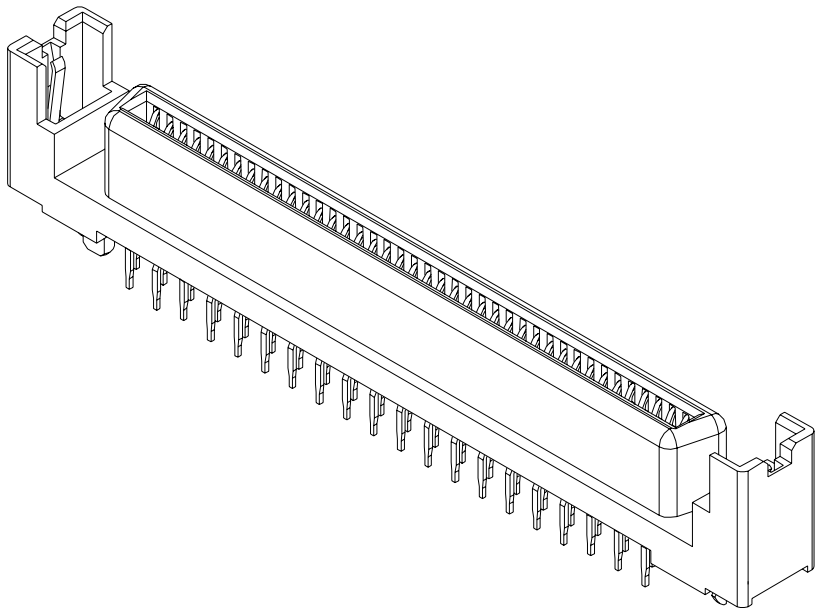


NOTE FOR LEAD FREE CONVERSION:
THE PRIMARY SHIPPING CARTON WILL BE
LABELED "COMPLIANT TO ROHS DIRECTIVE
2002/95/EC AND ELV ANNEX II OF
DIRECTIVE 2000/53/EC". CARTONS WITHOUT
THIS LABEL MAY CONTAIN PRODUCT WITH
LEAD.

71743-1086	OBSOLETE				
71743-1085	SEE NOTE 2	.130±.006 (3.30±0.15)	.118 (3.00)	.148 (3.75)	
71743-1084	SEE NOTE 2	.125±.006 (3.18±0.15)	.118 (3.00)	.134 (3.40)	
71743-1083	SEE NOTE 2	.093±.006 (2.36±0.15)	.118 (3.00)	.125 (3.18)	
71743-1082	OBSOLETE				
71743-1081	SEE NOTE 2	.062±.006 (1.60±0.15)	.118 (3.00)	.110 (2.79)	
71743-1080	SEE NOTE 2	.093±.006 (2.36±0.15)	.118 (3.00)	.125 (3.18)	
PART NUMBER	PLATING	PCB THICKNESS	DIM. A	DIM. P	

I	REVISD ECN UCP2004-2082 RKADAMS 04/04/22
H	REVISD ECN UCP2003-0093 BBARKER 02/08/13
G	REVISD ECN UDT 2000-1231 ACHAMMER 00-06-07
F3	REVISD ECN UDT 1999-0975 ACHAMMER 99-05-11
F2	REVISD ECN UDT 1999-0865 ACHAMMER 99-04-09
F1	REVISD ECN UDT 1998-0294 STANISLA 98-06-10
F	REVISD PER ECN U80654 ACHAMMER 97-9-18
E	REVISD PER ECN U71495 ACHAMMER 97-6-2
DI	REVISD PER ECN U70444 ACHAMMER 96-11-26
D	REVISD PER ECN U61278 5-2-96 DGA
C	REVISD PER ECN U61122 3-22-96 RAN
B	REVISD PER ECN U60641 11-29-95 DRS
A	INITIAL RELEASE PER ECN U60019 8-15-95 RAN

DIMENSIONS SHOWN (METRIC) INCH UNLESS OTHERWISE SPECIFIED TOLERANCES: ANGULAR ± 1/2°		TITLE SALES ASSEMBLY EBBI VERTICAL RECEPTACLE 80 CKT SCA-2 CONNECTOR	
3 PLACE ± .005	2 PLACE ± .01 ± 0.13	1 PLACE --- ± 0.25	REVISIONS
DRAFT WHERE APPLICABLE MUST REMAIN WITHIN DIMENSIONS		PART NO. SDA-71743-108*	
DRWG. BY RAN	CHK'D. BY RAN	FILE NAME S71743XB	SHEET NO. 1 OF 2
APP'D. BY GWF	SCALE 4: 1	DATE 7/21/95	DATE 7/21/95
THIS DRAWING CONTAINS INFORMATION THAT IS PROPRIETARY TO MOLEX INC. AND SHOULD NOT BE USED WITHOUT WRITTEN PERMISSION.		DIV. C	



F2	SEE SHEET 1
----	-------------

DIMENSIONS SHOWN (METRIC) INCH		MFG. SH. REV. LTR. REVISIONS	
UNLESS OTHERWISE SPECIFIED TOLERANCES ANGULAR ± 1/2°		REVISIONS	
3 PLACE ± .005	INCH METRIC	TITLE	
2 PLACE ± .01 ± 0.13		SALES ASSEMBLY	
1 PLACE --- ± 0.25		EBBI VERTICAL RECEPTACLE	
DRAFT WHERE APPLICABLE MUST REMAIN WITHIN DIMENSIONS		80 CKT SCA-2 CONNECTOR	
FROM: MOLEX INCORPORATED		SHEET NO. DATE	
L15LEJLL 60532 U.S.A.		2 7/21/95	
PART NO. DRWG. NO.		SEE TABLE SDA-71743-108	
DRWG. BY: RAN	CHK'D BY: RAN	FILE NAME	
APP'D BY: GWF	SCALE: 4:1	ST1743X8	
THIS DRAWING CONTAINS INFORMATION THAT IS PROPRIETARY TO MOLEX INC. AND SHOULD NOT BE USED WITHOUT WRITTEN PERMISSION.		DIV. SIZE	
		C C	