

1

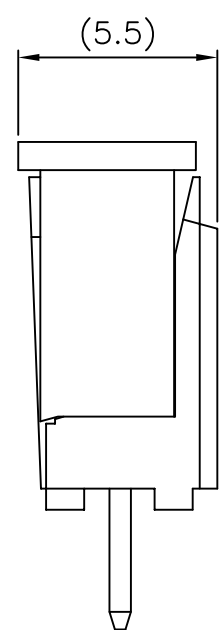
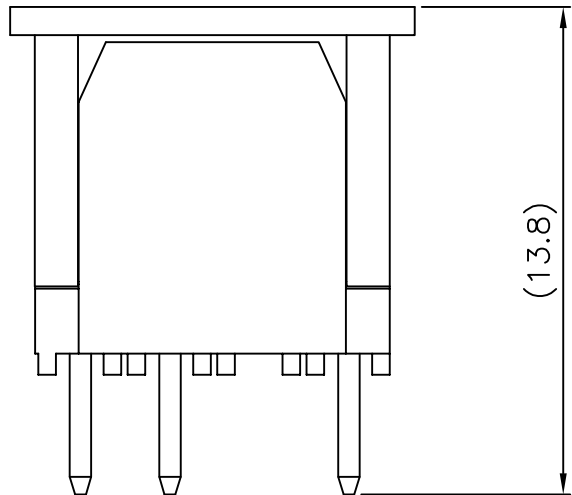
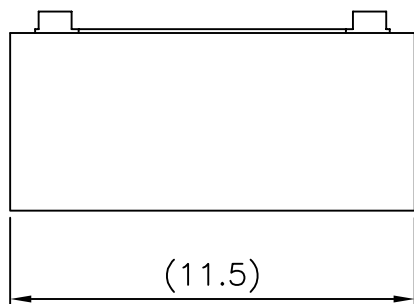
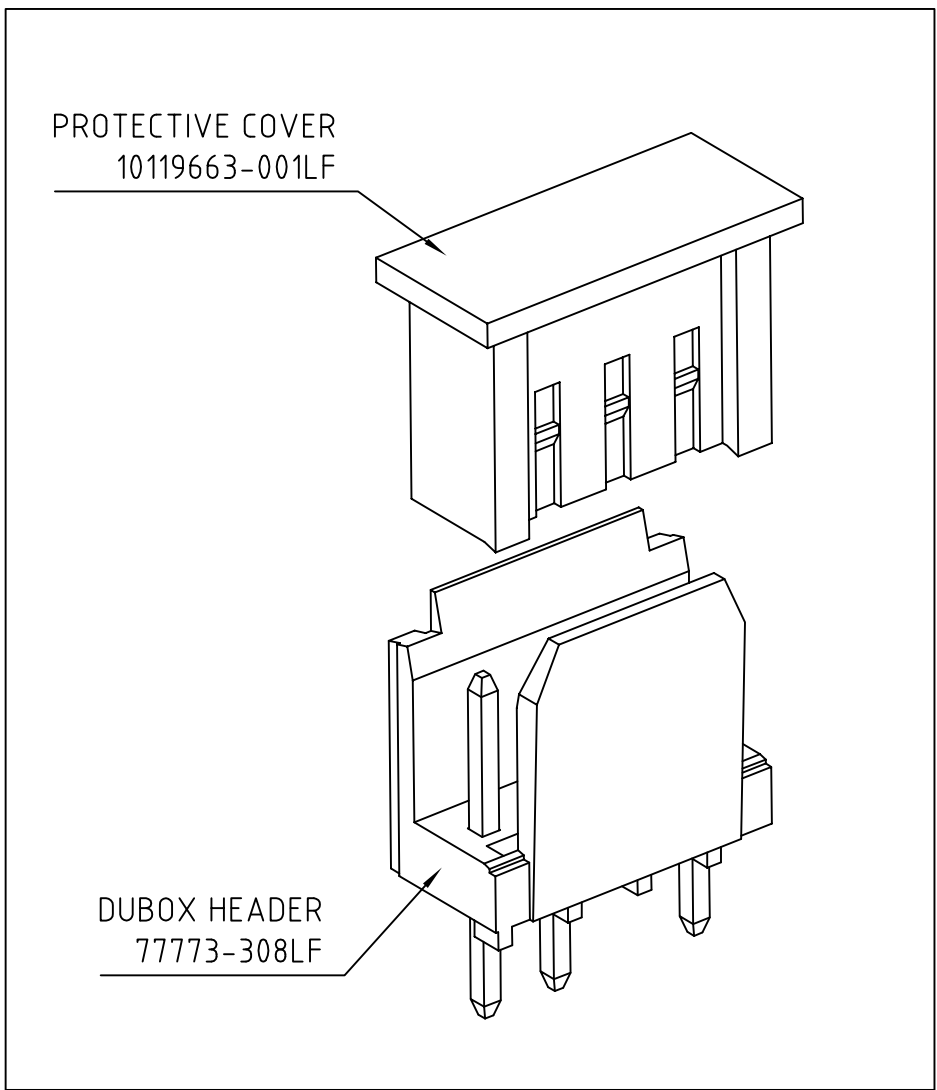
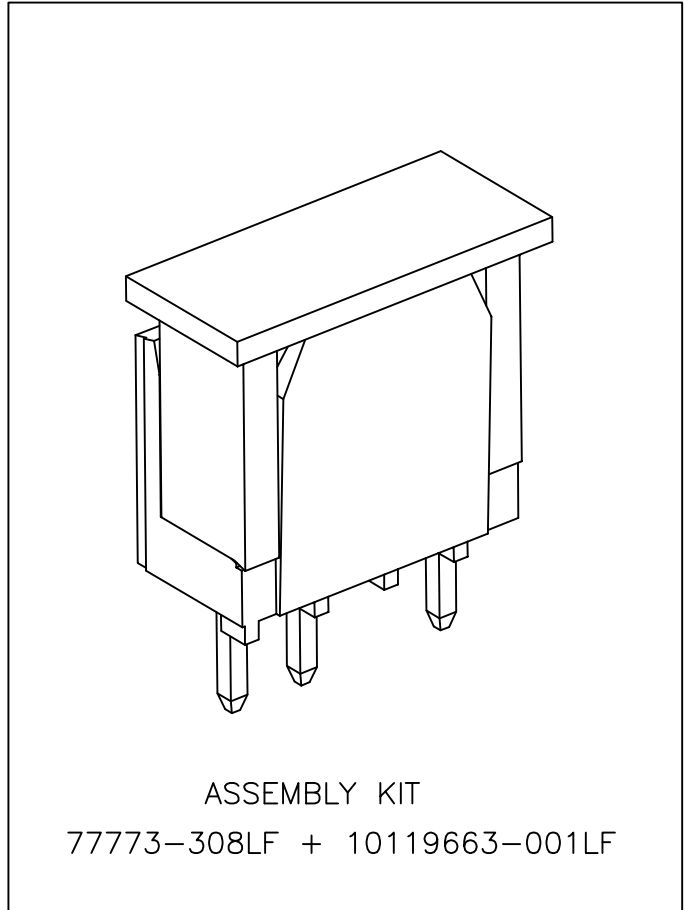
2 3

4

5

6

PRODUCT NUMBER
10119778-001LF



NOTES :

77773-308LF BODY MATERIAL : POLYESTER 30% GLASSFILLED
COLR BLUE, FLAME RETARDANT PER UL-94 VO

77773-308LF CONTACT MATERIAL : PHOSPHORE BRONZE

10119663-001LF BODY MATERIAL : POLYESTER 30% GLASSFILLED
COLR BLUE, FLAME RETARDANT PER UL-94 VO

PACKAGING : 500 KITS PER POLYBAGS



Copyright FCI

| | | | | | | | | | | | | |
|-------------|----------|----------------|----------|--|------------|-------------------------------|--|----------------|----------|--------------------------------|------------------|--|
| mat'l. code | | | | surface ISO 1302 <input checked="" type="checkbox"/> ISO 406 ISO 1101 | | tolerance ISO 406 ISO 1101 | | projection | | product family DUBOX HEADER | | |
| ltr | ecn no | dr | date | tolerances unless otherwise specified | | angles | | mm | | title | | |
| A | F12-0015 | LMU | 12.02.17 | linear | .x ±0.3 | | | mm | | ASSEMBLY KIT | | |
| | | | | | .xx ±0.13 | | | scale N/A | | DBX HDR WITH COVER | | |
| | | | | | .xxx ±0.05 | | | | | sheet 1 of 1 size | | |
| | | | | dr | L.MULIN | 11.12.14 | | | 10119778 | | A3 | |
| | | | | enr | L.MULIN | 11.12.14 | | | type | | CUSTOMER Drawing | |
| | | | | chr | | | | | | | | |
| | | | | appd | L.MULIN | 11.12.14 | | | | | | |
| sheet index | | revision sheet | | | | | | | | | | |