

THIS DRAWING IS UNPUBLISHED.

RELEASED FOR PUBLICATION

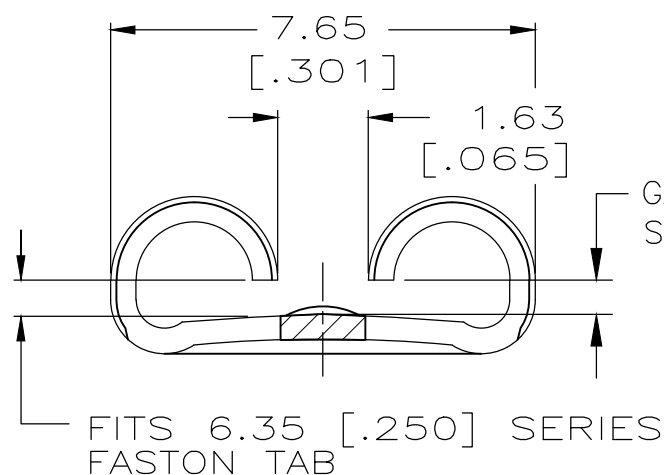
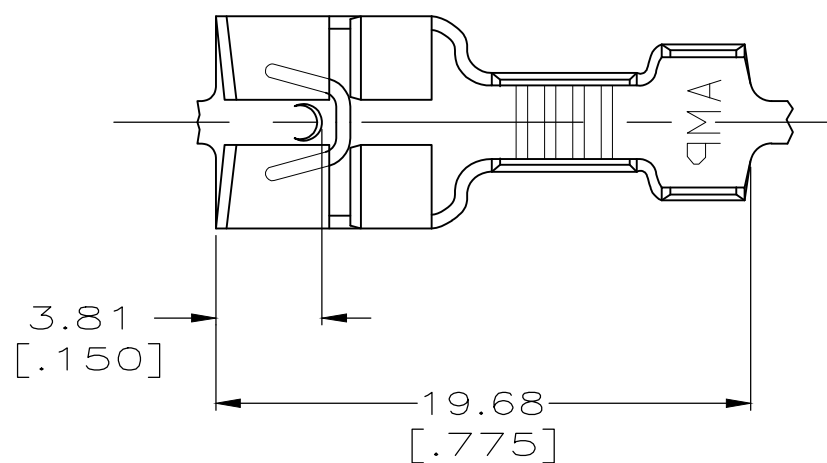
ALL RIGHTS RESERVED.

© COPYRIGHT - By -

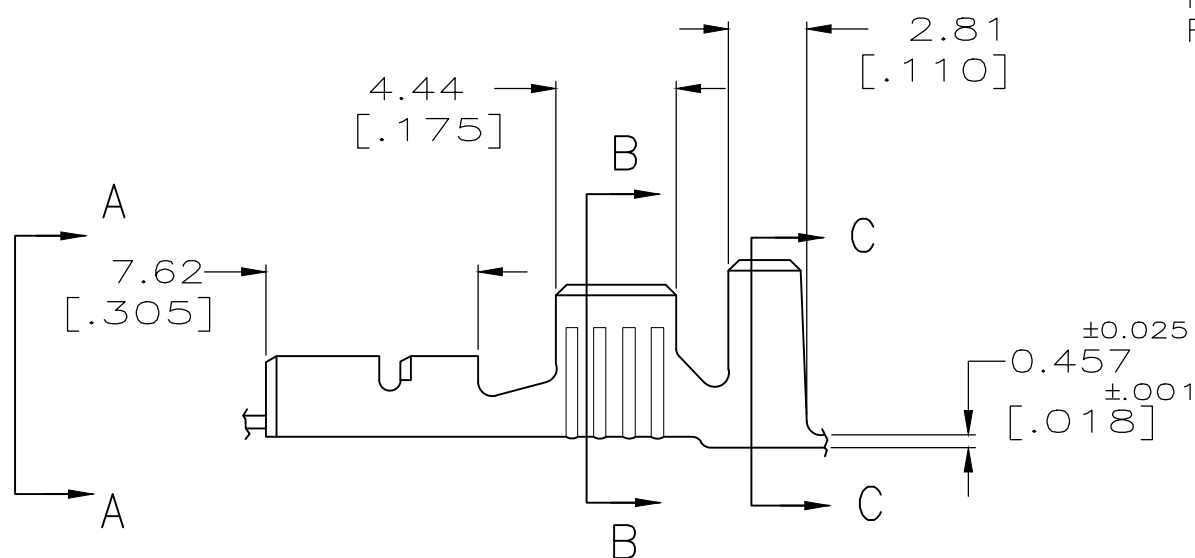
LOC AF DIST 50

REVISIONS

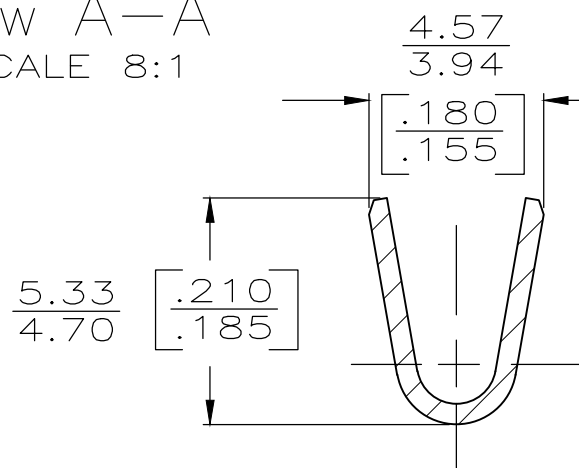
P	LTR	DESCRIPTION	DATE	DWN	APVD
E1		REVISED PER ECR-20-009164	5AUG2020	MK	DH



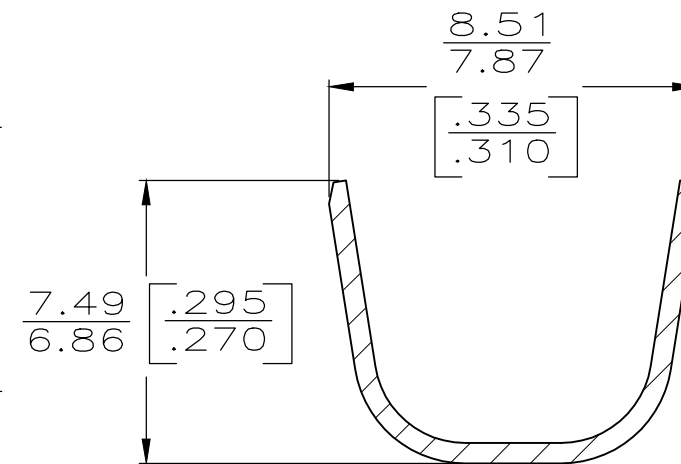
- 1 CONTINUOUS STRIP ON REELS.
- 2 MATING TAB THK TO BE 0.84-0.76 [.033-.030]



VIEW A-A
SCALE 8:1



SECTION B-B
SCALE 6:1



SECTION C-C
SCALE 6:1

5.72-6.95 OR (2) 3.56 MAX [.225-.275 OR (2).140 MAX]	2-5mm ² OR (2) 5mm ² [14-10 OR 2#14]	-	63539-2
INSULATION RANGE	WIRE SIZE	TIN	63539-1
		FINISH	PART NO

TYPE	WIDTH	STRIP LENGTH	TYPE	WIDTH	HEIGHT	WIRE
INSUL BARREL CRIMP	7.87 [.310]	5.59 [.220]	WIRE BARREL CRIMP	3.56 [.140]	1.930 [076] 2.235 [088] 2.692 [106]	2.0mm ² [14] 3.0mm ² [12] 5.0mm ² [10]
		±0.38 [±.015]			±.051 [±.002]	

THIS DRAWING IS A CONTROLLED DOCUMENT.

DIMENSIONS: mm [INCHES]	TOLERANCES UNLESS OTHERWISE SPECIFIED:
	0 PLC ± -
	1 PLC ± -
	2 PLC ± -
	3 PLC ± 0.25 [.010]
	4 PLC ± -
	ANGLES ± -
MATERIAL BRASS	FINISH SEE TABLE

DWN JR RUTH 7/31/89	TE Connectivity NAME RECEPTACLE, FASTON, .250 SERIES	SIZE A3	CAGE CODE 00779	DRAWING NO C-63539	RESTRICTED TO -
CHK MS FEHER 7/31/89		APVD C MEYERS 7/31/89	APPLIC -	WEIGHT -	
PRODUCT SPEC		APPLICATION SPEC			
CUSTOMER DRAWING			SCALE 4:1	SHEET 1 of 1	REV E1