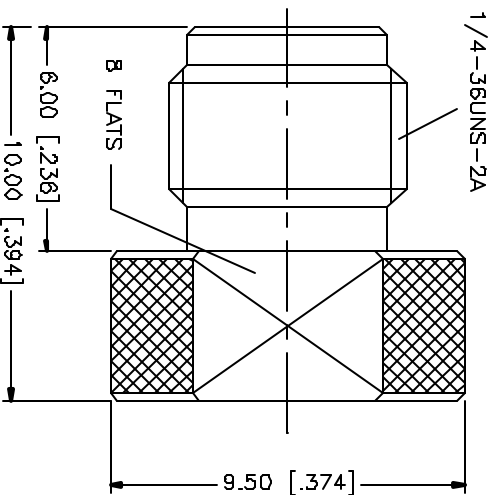


REV.	DATE	DESCRIPTION
NC	11/10/03	INITIAL RELEASE
A	07/31/04	UPDATE RESISTOR WATTAGE



REV.	DATE	DESCRIPTION	MATERIAL	FINISH	QTY
8					
7					
6					
5					
4					
3					
2					
1					
<p>UNLESS OTHERWISE SPECIFIED, DIMENSIONS ARE IN MILLIMETERS. DIMENSIONS IN [] ARE IN INCHES AND ARE QUOTED FOR REFERENCE ONLY.</p> <p>UNLESS OTHERWISE SPECIFIED, DIMENSIONS ARE IN MILLIMETERS.</p> <p>D ± .5mm ± 0.20mm B ± .50mm ± 0.40mm SD ± .120mm ± 0.50mm</p> <p>UNLESS OTHERWISE SPECIFIED, DIMENSIONS ARE IN INCHES.</p> <p>±.020 - .015 = ± 0.007" .015 - 1.180 = ± 0.014" 1.180 - 4.724 = ± 0.020"</p> <p>DO NOT SCALE DRAWING</p>					
APPROVALS		DATE			
DRAWN G.R.S.		07/31/04			
CHECKED					
ISSUED					
BHEET 1 OF 1					
CAD FILE C:/132/132361.DWG					
PART DESCRIPTION		SMA TERMINATOR JACK (50 ohm)			
PART NO.		132361			
DRAW. NO.	132361.DWG	REV.	A	SIZE	A
		SCALE	NA		
<p>Amphenol Comnex</p>					
DESCRIPTION					