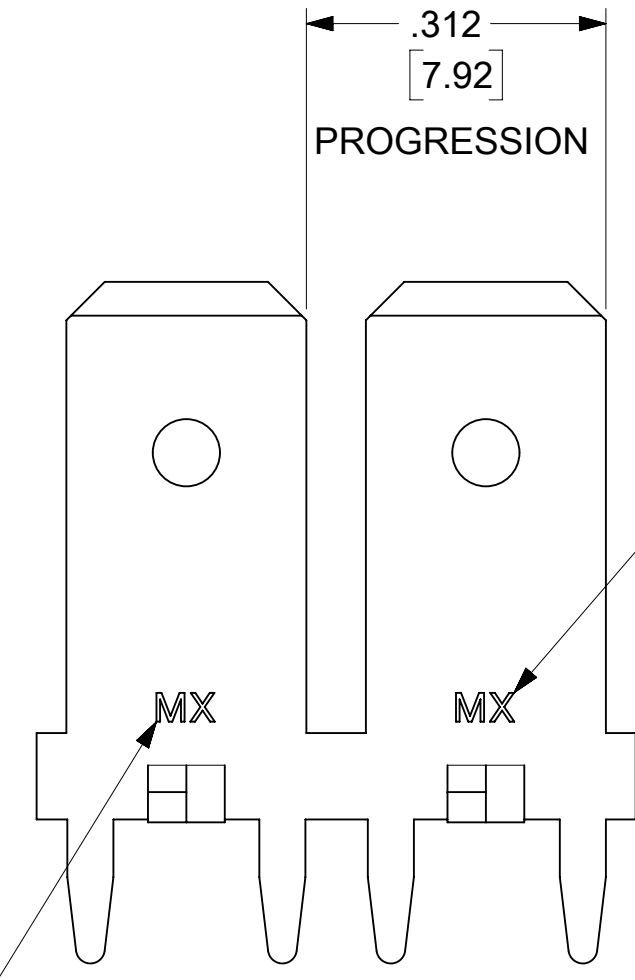
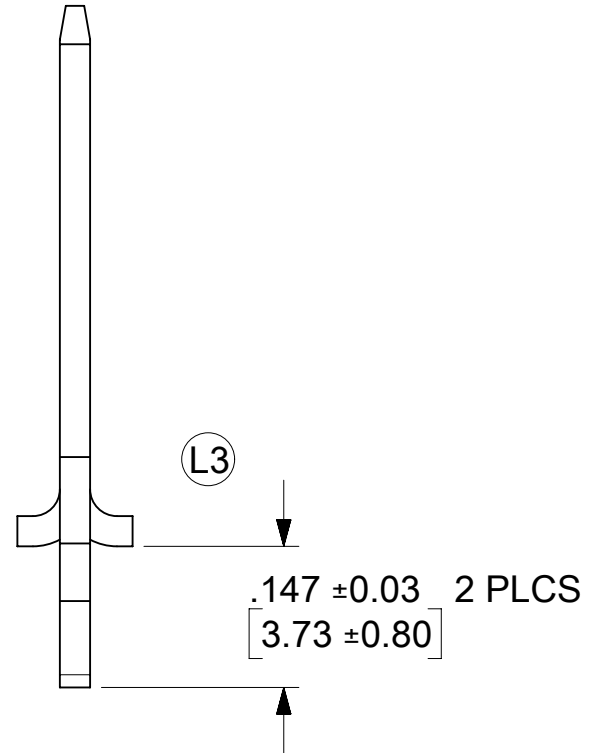
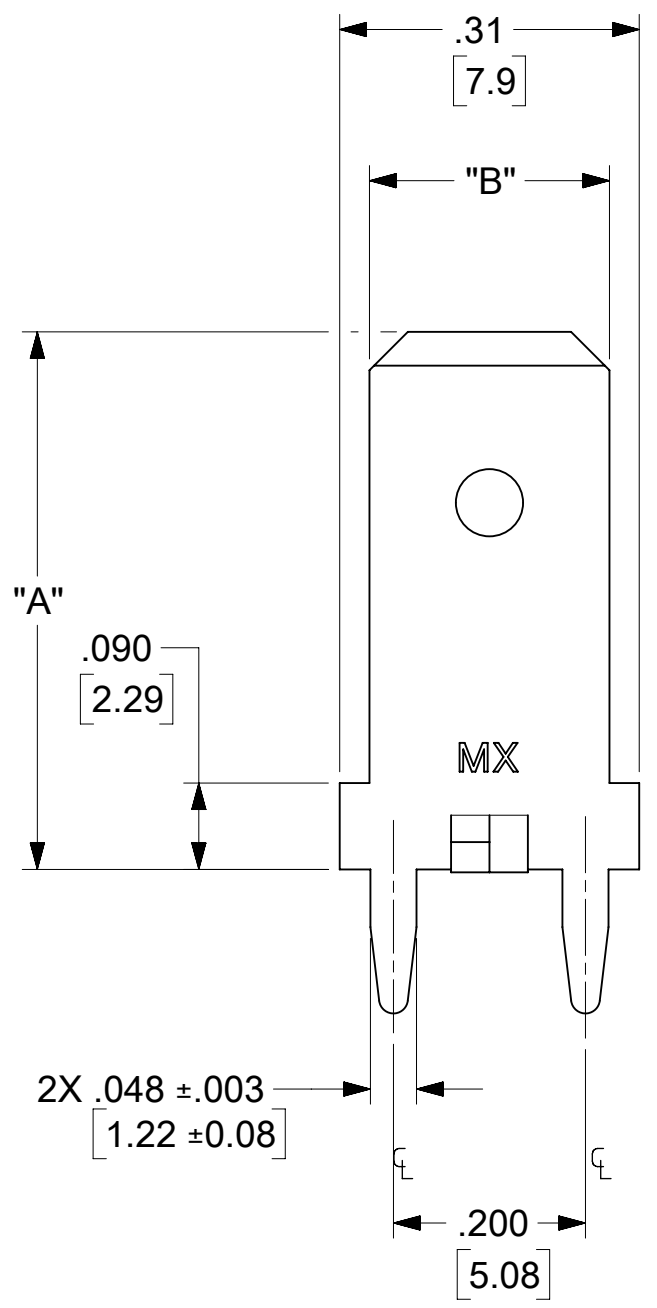
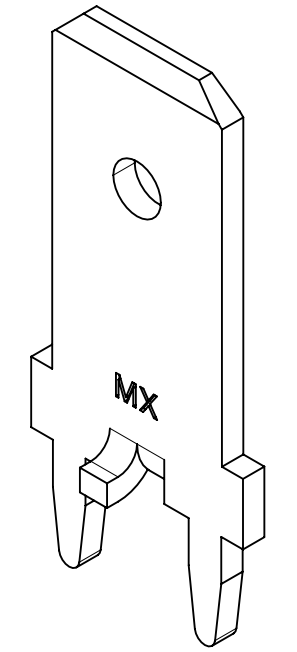
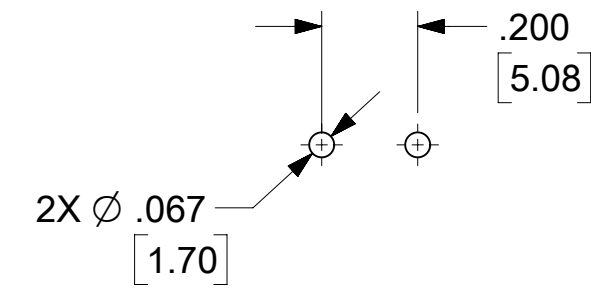
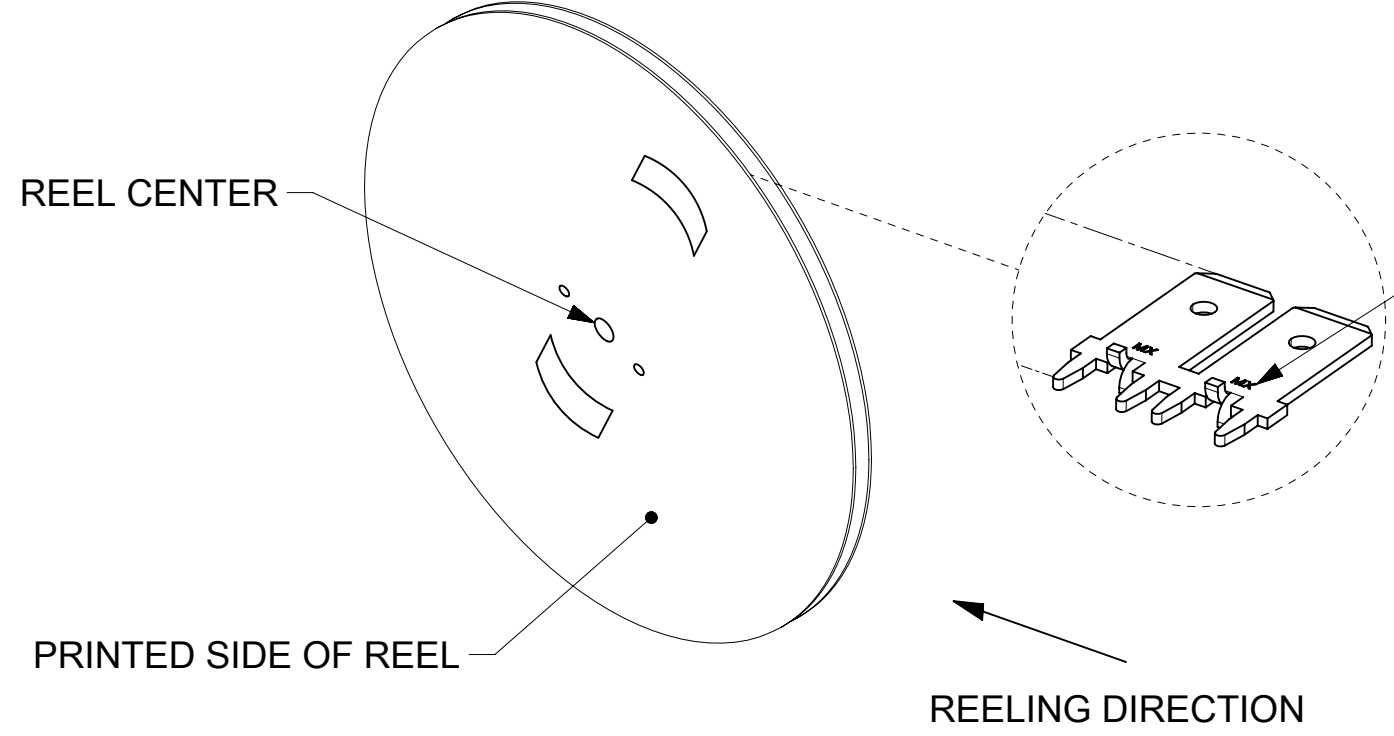
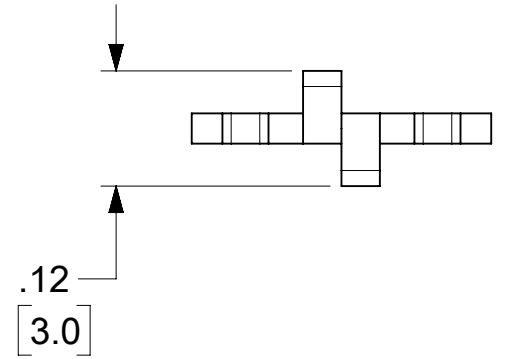


MATERIAL NUMBER	ENGINEERING NUMBER	CARRIER	LOGO ORIENTATION	DIMENSION "A"	DIMENSION "B"
197054003	19705-4003	STRIP	IN	.560/14.22	.250/6.35
197054103	19705-4103	STRIP	IN	.560/14.22	.187/4.75
197054203	19705-4203	STRIP	IN	.405/10.29	.250/6.35
197054001	19705-4001	LOOSE	-	.560/14.22	.250/6.35
197054101	19705-4101	LOOSE	-	.560/14.22	.187/4.75
197054201	19705-4201	LOOSE	-	.405/10.29	.250/6.35

RECOMMENDED PCB HOLE LAYOUT



LOGO OPTIONS: MX, ETC, MX-ETC, OR MXN MAY ALSO BE UPSIDE-DOWN FOR DIE IDENTIFICATION PURPOSES



SEE LOGO ORIENTATION ON CHART

- NOTES:
1. BARE EDGES PERMISSIBLE AT CARRIER CUT OFF.
  2. MATERIAL: BRASS C26000 (.032/0.81) THICK.
  3. TAB CONFORMS TO NEMA SPECIFICATIONS.
  4. ALL DIMENSIONS AND NOTES REFERENCE UNLESS OTHERWISE NOTED.
  5. PLATING: MATTE TIN OVER NICKEL 150µ IN/3.81 µ mm MINIMUM THICKNESS OVER NICKEL 50µ IN/1.25µ mm MINIMUM THICKNESS.
  6. 24" DIAMETER REEL WITH A 1.25" DIAMETER CENTER HOLE.
  7. PART IS RoHS COMPLIANT

THIS DRAWING CONTAINS INFORMATION THAT IS PROPRIETARY TO MOLEX ELECTRONIC TECHNOLOGIES, LLC AND SHOULD NOT BE USED WITHOUT WRITTEN PERMISSION										
DIMENSION UNITS <b>INCH/MM</b>		SCALE <b>5:1</b>		CURRENT REV DESC: REMOVED OBSOLETE PART NUMBER AS PER PCN#513388						
GENERAL TOLERANCES (UNLESS SPECIFIED)				EC NO: 743953						
		MM	INCH	DRWN: SUGEEB 2023/04/04						
4 PLACES		±	±	CHK'D: GGA 2023/04/10		<b>QUICK DISCONNECT</b> PCB MOUNTABLE .250 X .187 X .032 TAB <b>PRODUCT CUSTOMER DRAWING</b>				
3 PLACES		±	± 0.005	APPR: GGA 2023/04/10						
2 PLACES		± 0.13	± 0.01	INITIAL REVISION:		DOCUMENT NUMBER		DOC TYPE	DOC PART	REVISION
1 PLACE		± 0.25	±	DRWN: EDB 11/08/96		SD-19705-400		PSD	001	M
0 PLACES		±	±	APPR: RWD 11/08/96		MATERIAL NUMBER		CUSTOMER		SHEET NUMBER
ANGULAR TOL		± 0.5 °		THIRD ANGLE PROJECTION		SEE TABLE		GENERAL MARKET		1 OF 1
DRAFT WHERE APPLICABLE MUST REMAIN WITHIN DIMENSIONS						DRAWING <b>C-SIZE</b>		SERIES <b>19705</b>		