

# SACC-DSI-M8FS-3CON-M12/3,0 PUR - Device connector, rear mounting



1424316

<https://www.phoenixcontact.com/pc/products/1424316>

Please be informed that the data shown in this PDF document is generated from our online catalog. Please find the complete data in the user documentation. Our general terms of use for downloads are valid.



Sensor/actuator flush-type socket, 3-pos., M8, rear/screw mounting with M12 thread, with 3 m PUR cable, 3 x 0.25 mm<sup>2</sup>

## Your advantages

- Preassembled with litz wires for immediate use
- Customer-specific assemblies and litz wire lengths available
- Sealed on the litz wire side for optimum leak-tightness
- Standard pin assignments and codings for signal transmission with a uniform design-in design

## Commercial data

Item number	1424316
Packing unit	1 pc
Minimum order quantity	100 pc
Product key	ABQIDC
GTIN	4046356729123
Weight per piece (including packing)	106.5 g
Weight per piece (excluding packing)	106.5 g
Customs tariff number	85366990
Country of origin	DE

# SACC-DSI-M8FS-3CON-M12/3,0 PUR - Device connector, rear mounting



1424316

<https://www.phoenixcontact.com/pc/products/1424316>

## Technical data

### Mounting

Mounting type	Rear mounting M12 x 1 With flat nut
Assembly instructions	With flat nut
Connection method	Individual wires

### Product properties

Product type	Circular connectors (device side)
Number of positions	3
No. of cable outlets	1
Shielded	no
Coding	A

### Insulation characteristics

Overvoltage category	II
Degree of pollution	3

### Material specifications

Flammability rating according to UL 94	HB
Contact material	Cu alloy
Contact surface material	Au
Contact carrier material	PUR/PA 6.6
Material for screw connection	Brass, nickel-plated
Conductor material	Tin-plated Cu litz wires

### Electrical properties

Rated surge voltage	1.5 kV
Contact resistance	$\leq 3 \text{ m}\Omega$
Insulation resistance	$\geq 100 \text{ M}\Omega$
Nominal voltage $U_N$	48 V AC
	60 V DC
Nominal current $I_N$	4 A

### Connection data

#### Conductor connection

Connection method	Individual wires
-------------------	------------------

### Connector

#### Connection 1

Head design	Socket
Head cable outlet	straight

# SACC-DSI-M8FS-3CON-M12/3,0 PUR - Device connector, rear mounting



1424316

<https://www.phoenixcontact.com/pc/products/1424316>

Head thread type	M8
------------------	----

## Cable/line

Cable length	3 m
Cable type	PUR
Single wire, color	brown, blue, black
Conductor material	Tin-plated Cu litz wires
AWG signal line	24
Material wire insulation	TPE

## Environmental and real-life conditions

### Ambient conditions

Degree of protection	IP67
	IP67
Ambient temperature (operation)	-25 °C ... 85 °C (Socket)

## Standards and regulations

Standard designation	M8 connector
Standards/specifications	IEC 61076-2-104

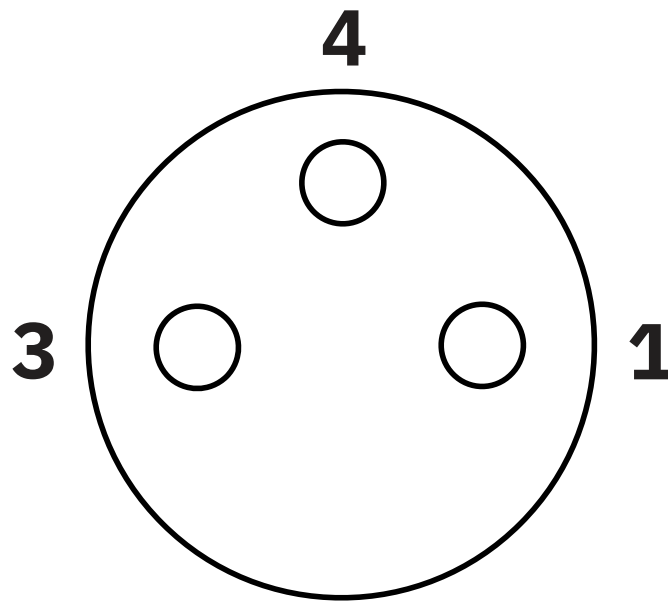
# SACC-DSI-M8FS-3CON-M12/3,0 PUR - Device connector, rear mounting

1424316

<https://www.phoenixcontact.com/pc/products/1424316>

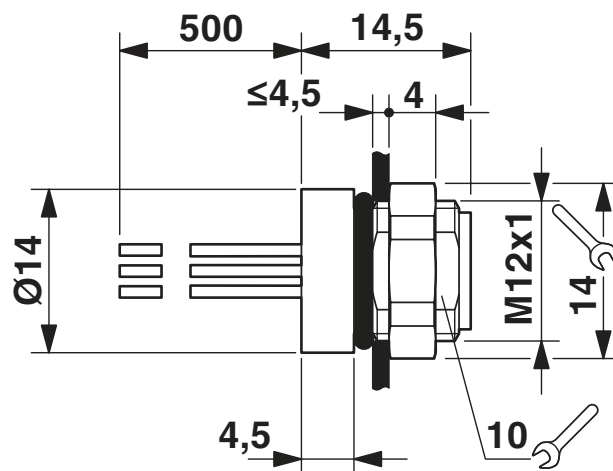
## Drawings

Schematic diagram



Pin assignment M8 socket, 3-pos., view female side

Dimensional drawing



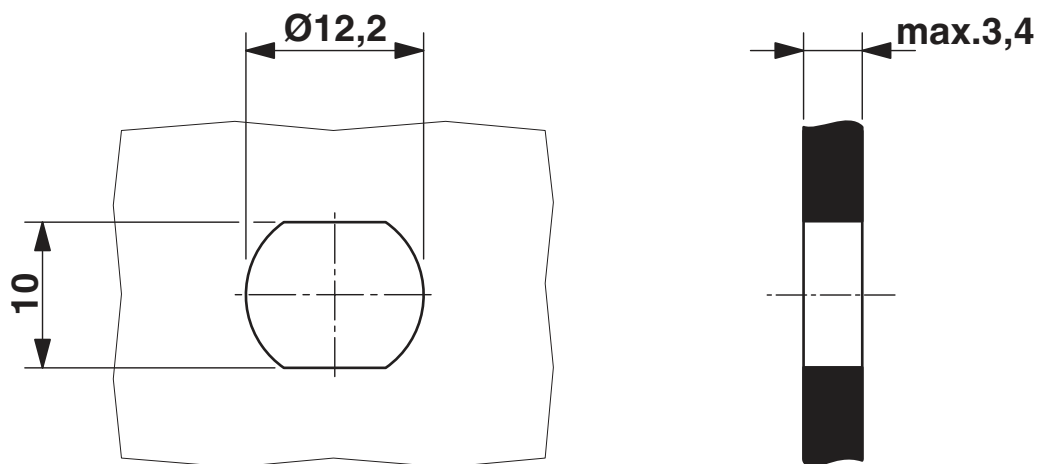
Dimensional drawing

# SACC-DSI-M8FS-3CON-M12/3,0 PUR - Device connector, rear mounting

1424316

<https://www.phoenixcontact.com/pc/products/1424316>

Dimensional drawing



Housing cutout for M8 flush-type connector, socket, one-section

# SACC-DSI-M8FS-3CON-M12/3,0 PUR - Device connector, rear mounting



1424316

<https://www.phoenixcontact.com/pc/products/1424316>

## Approvals

To download certificates, visit the product detail page: <https://www.phoenixcontact.com/pc/products/1424316>



**EAC**

Approval ID: B.01687

# SACC-DSI-M8FS-3CON-M12/3,0 PUR - Device connector, rear mounting



1424316

<https://www.phoenixcontact.com/pc/products/1424316>

## Classifications

### ECLASS

ECLASS-11.0	27440102
ECLASS-12.0	27440116
ECLASS-13.0	27440116

### ETIM

ETIM 8.0	EC002635
----------	----------

### UNSPSC

UNSPSC 21.0	39121400
-------------	----------

# SACC-DSI-M8FS-3CON-M12/3,0 PUR - Device connector, rear mounting



1424316

<https://www.phoenixcontact.com/pc/products/1424316>

## Environmental product compliance

REACH SVHC	Lead 7439-92-1
China RoHS	Environmentally Friendly Use Period = 50 years
	For information on hazardous substances, refer to the manufacturer's declaration available under "Downloads"

Phoenix Contact 2023 © - all rights reserved  
<https://www.phoenixcontact.com>

PHOENIX CONTACT GmbH & Co. KG  
Flachmarktstraße 8  
D-32825 Blomberg  
+49 (0) 5235-3 00  
[info@phoenixcontact.com](mailto:info@phoenixcontact.com)