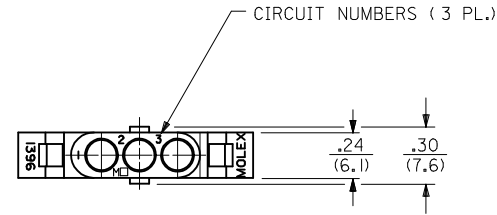
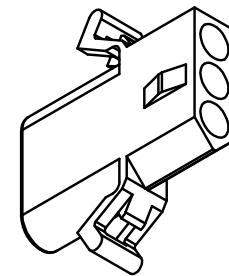
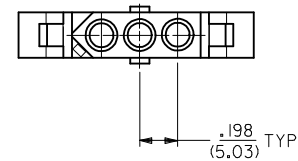
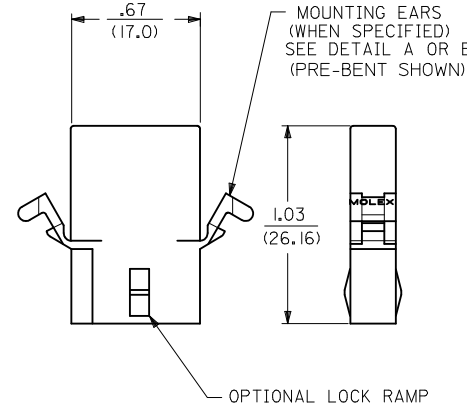


PLUG

1396-P SHOWN ABOVE (WITH STANDARD MOUNTING EAR)

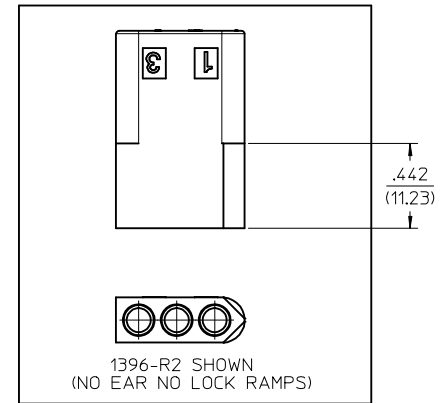


ALTERNATE END CONFIGURATION
SEE NOTE Δ



RECEPTACLE

1396-R4 SHOWN (WITH PRE-BENT EAR)



| | | | | | | | | |
|---|----------------------------------|--|----------------------------|---------------------------------|---------------------|--|------------------------|--|
| ADD PK-1396-002 EC NO: UCP2016-2183 DRWN:KIPPER 2015/12/09 CHKD:JBELL 2015/12/09 APPR:FSMITH 2015/12/23 | DESCRIPTION Δ=0 Δ=0 Δ=0 | GENERAL TOLERANCES (UNLESS SPECIFIED) | | DIMENSION STYLE IN/MM | SCALE 2:1 | DESIGN UNITS INCH | THIRD ANGLE PROJECTION | |
| | | 4 PLACES ± --- ± --- | 3 PLACES ± --- ± .010 | DRAWN BY JJS | DATE 1988/04/08 | TITLE .093/(2.36) HOUSING PLUG AND RECEPTACLE 3 CIRCUIT .198 CENTERS | | |
| | | 2 PLACES ± 0.25 ± .014 | 1 PLACE ± 0.35 ± --- | CHECKED BY RW | DATE 1988/04/08 | | | |
| | | 0 PLACE ± --- ± --- | ANGULAR ±1/2° | APPROVED BY FSMITH | DATE 2014/06/23 | molex | | |
| DRAFT WHERE APPLICABLE MUST REMAIN WITHIN DIMENSIONS | MATERIAL NO. SEE CHART | DOCUMENT NO. SD-1396-* | SHEET NO. 1 OF 2 | | | | | |
| REV Z3 | SIZE C | THIS DRAWING CONTAINS INFORMATION THAT IS PROPRIETARY TO MOLEX INCORPORATED AND SHOULD NOT BE USED WITHOUT WRITTEN PERMISSION | | | | | | |

