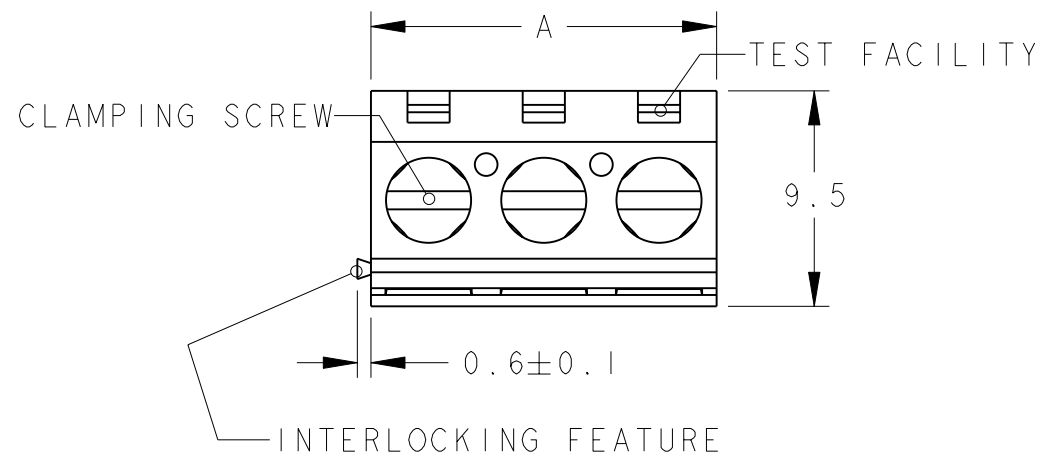
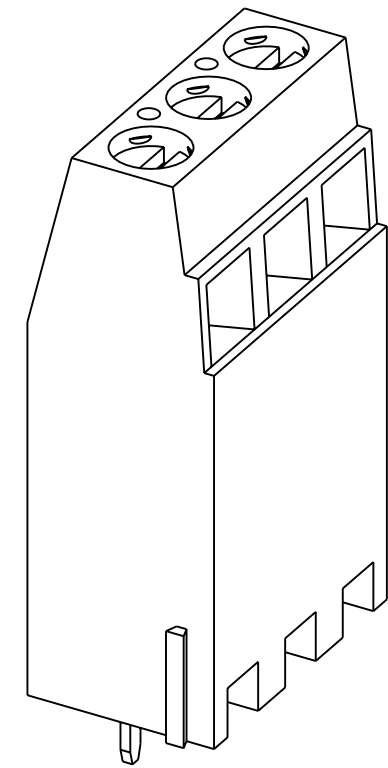


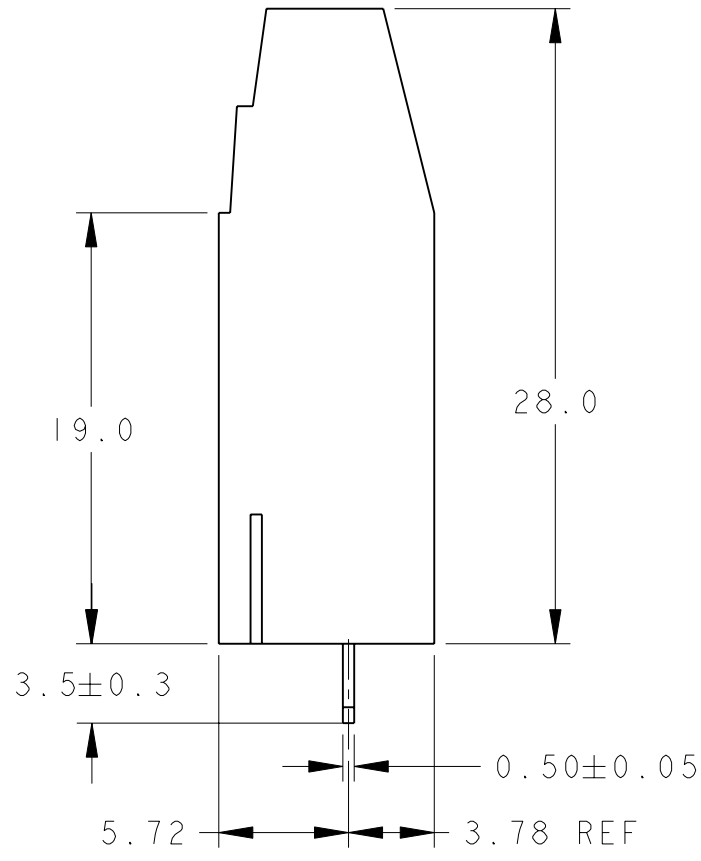
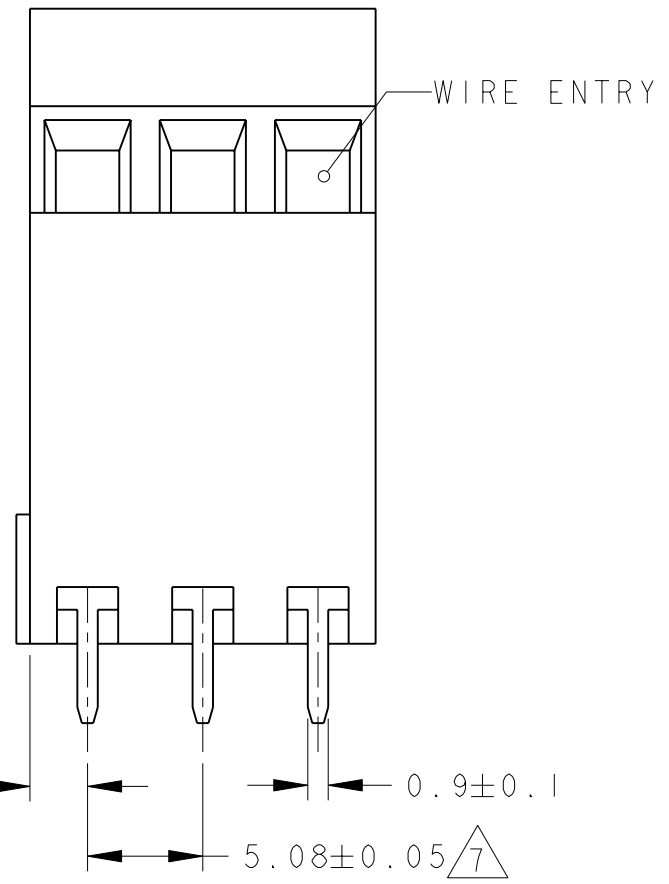
LOC	DIST	REVISIONS			
P	LTR	DESCRIPTION	DATE	DWN	APVD
	B	REVISED PER 0G3B-0119-01	31OCT2001	EZ	DB
	C	REVISED ECO-06-005531	29MAR2006	SW	CR



- 1 MATERIALS AND FINISH
 HOUSING: PA 6-6, UL 94-V0, COLOR GREEN.
 CLAMP: BRASS, NICKEL PLATED.
 TERMINAL: BRASS, TIN PLATED.
 CLAMPING SCREW: M3, BRASS, NICKEL PLATED.
- 2 SUITABLE FOR 1,6-2,4mm PC BOARD THICKNESS.
- 3 END-TO-END STACKABLE W/INTERLOCK WITHOUT LOSS OF CENTERLINE SPACING.
- 4 WIRE SIZE RANGE
 12 - 30 AWG
- 5 RECOGNIZED UNDER THE COMPONENT PROGRAM OF UNDERWRITERS LABORATORIES INC., FILE N° E60677.
- 6 IMQ CERTIFICATE WITH SURVEILLANCE IN CONFORMITY WITH IEC 998-1/998-2-1.
- 7 NOT CUMULATIVE TOLERANCE.

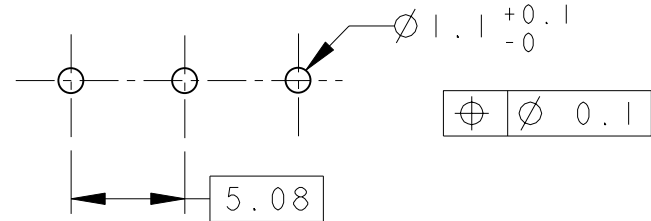


282885-3 AS SHOWN



A	NO OF POSN	PART NUMBER	
OBSOLETE	15.24	3	282885-3
	10.16	2	282885-2

RECOMMENDED PC BOARD LAYOUT



THIS DRAWING IS A CONTROLLED DOCUMENT FOR TYCO ELECTRONICS CORPORATION. IT IS SUBJECT TO CHANGE AND THE CONTROLLING ENGINEERING ORGANIZATION SHOULD BE CONTACTED FOR THE LATEST REVISION.		DWN E. ZANOLINI 31OCT2001	BUCHANAN Tyco Electronics Harrisburg, PA 17105-3608	
DIMENSIONS: mm		CHK D. BIEVENOUR 31OCT2001		
TOLERANCES UNLESS OTHERWISE SPECIFIED:		APVD D. BIEVENOUR 31OCT2001	NAME	
0 PLC ±-		PRODUCT SPEC 108-20166	TERMINAL BLOCK, PCB MOUNT	
1 PLC ±.3		APPLICATION SPEC 114-20079	3ND LEVEL	
2 PLC ±.25		WEIGHT -	STACKING W/ INTERLOCK, 5.08mm PITCH	
3 PLC ±-		CUSTOMER DRAWING	SIZE A3	RESTRICTED TO -
4 PLC ±-			CAGE CODE 00779	DRAWING NO C=282885
ANGLES ±2			SCALE 3:1	SHEET 1 OF 1
MATERIAL 1				REV C
FINISH 1				