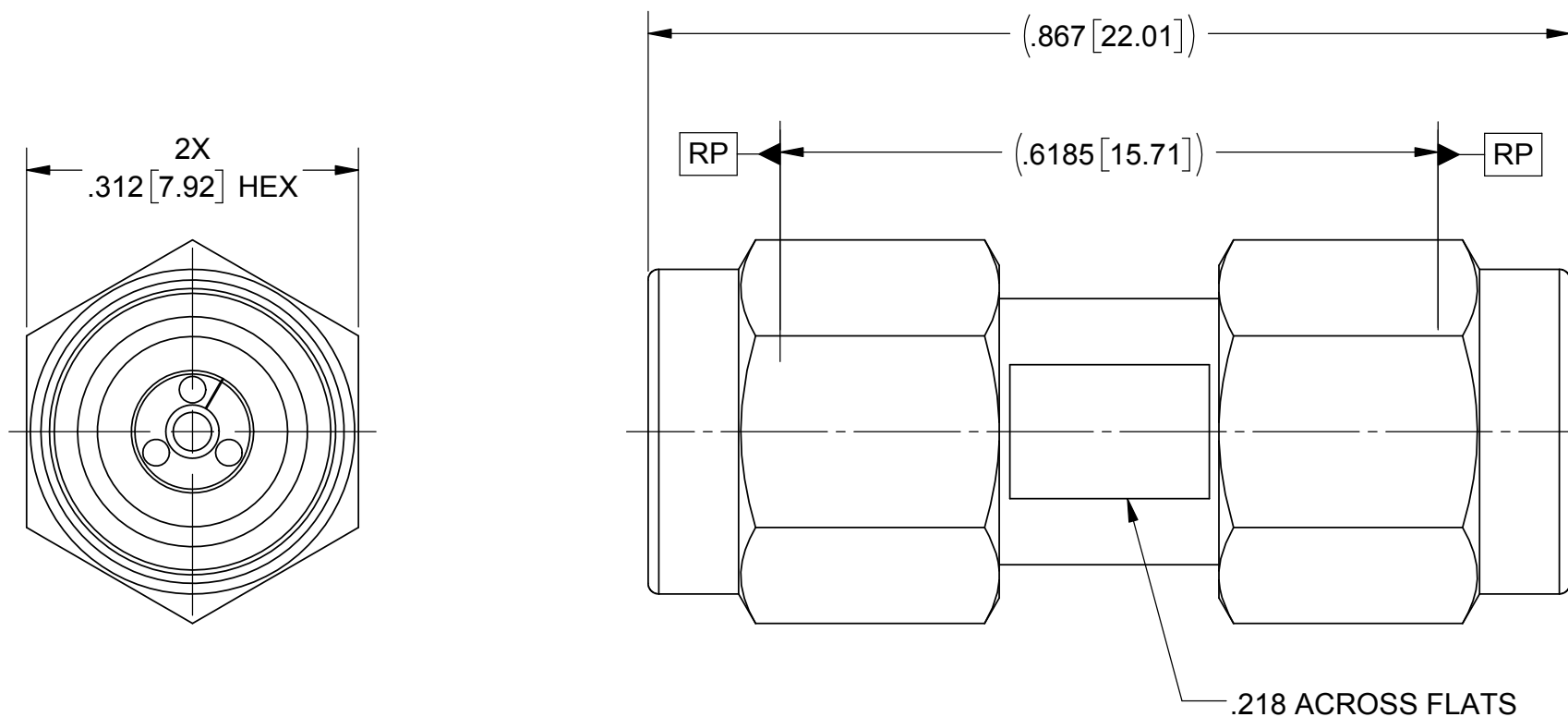


# PRODUCT DATA DRAWING CUI BASIC

REVISION HISTORY			
REV	DESCRIPTION	DATE	APPROVED
A	DCN 41727	10/15	DAL
B	REV. DCN 47866	08/24/08	STW



**MATERIAL:**

**BODY, SLEEVE, & COUPLING NUTS:**

STAINLESS STEEL PER AMS-5640, ALLOY UNS S30300, TYPE 1 OR ASTM A582, TYPE 303, CONDITION A.

**LOCK RINGS:**

BERYLLIUM COPPER PER ASTM B194, B196 OR B197, ALLOY No. UNS C17200 OR C17300.

**CONTACT:**

BERYLLIUM COPPER PER ASTM B196, ALLOY No. UNS C17300, TD04.

**BEADS:**

PEI (ULTEM 1000) PER ASTM D5205.

**GASKETS:**

SILICONE RUBBER PER A-A-59588, CLASS 2B, GRADE 60/70

**FINISH:**

**BODY, SLEEVES & COUPLING NUTS:**

PASSIVATED PER AMS 2700.

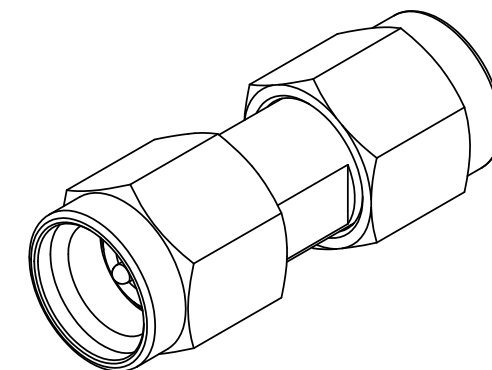
**CONTACTS:**

GOLD PER ASTM B 488, TYPE I, CODE C, CLASS .50 OVER NICKEL PER AMS-QQ-N-290, CLASS 1, .00005" MIN.

**PERFORMANCE:**

**IMPEDANCE:**  
**FREQ. RANGE:**

50 OHMS  
DC TO 40.0 GHz



MATERIAL: SEE NOTES	DIMENSIONS ARE IN INCHES TOLERANCES: FRACTIONAL: ±1/64 ANGULAR: X° ±1'0" X'X' ±15'	UNLESS OTHERWISE SPECIFIED 1) ALL DIMENSIONS ARE IN INCHES (MILLIMETERS) 2) ALL DIMENSIONS ARE AFTER PLATING. 3) BREAK CORNERS & EDGES .005 R. MAX. 4) CHAM. 1ST & LAST THREADS. 5) SURFACE ROUGHNESS 63-MIL-STD-10. 6) DIA.'S ON COMMON CENTERS TO BE CONCENTRIC WITHIN .005 T.I.R. 7) REMOVE ALL BURRS	 Amphenol 2400 Centrepark West Drive, Suite 100 West Palm Beach, FL 33409 TITLE: <b>ADAPTER DC-40 GHz SVK                  PLUG TO SVK PLUG</b>
FINISH: SEE NOTES	DECIMAL: X ±.030 .XX ±.010 .XXX ±.005	INTERPRET DIMENSIONS AND TOLERANCES PER ASME Y14.5M - 1994	
SURFACE AREA: N/A	THIRD ANGLE PROJECTION	DRAWN: BRT 09/14/02	SIZE: B CAGE CODE: 95077 DWG. NO.: SF1593-6000
PROPRIETARY THE INFORMATION CONTAINED IN THIS DRAWING IS THE SOLE PROPERTY OF SV MICROWAVE, INC. ANY REPRODUCTION IN PART OR AS A WHOLE WITHOUT THE WRITTEN PERMISSION OF SV MICROWAVE, INC IS PROHIBITED.		CHECKED: DWC 09/14/02	SCALE: 6:1
		APPROVED: DWC 09/14/02	SHEET 1 OF 1