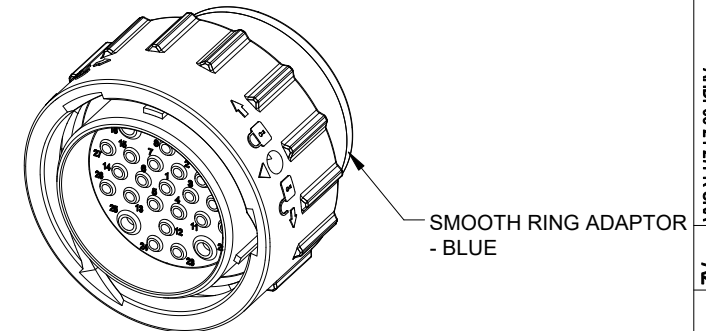
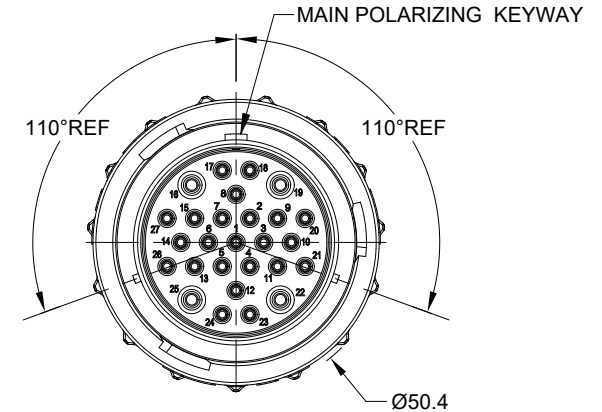
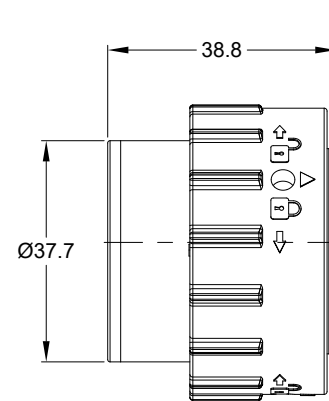
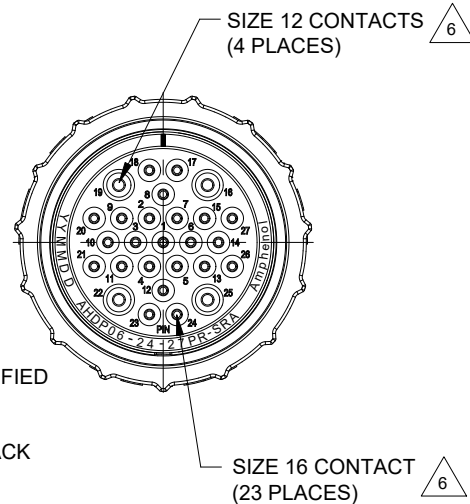


| REVISIONS |     |                     |         |        |       |
|-----------|-----|---------------------|---------|--------|-------|
| REV       | ECO | DESCRIPTION         | DATE    | BY     | APPR  |
| A1        | --  | RELEASE NEW DRAWING | 18MAY20 | SULLEN | TOMMY |
| A2        | --  | MODIFY PRODUCT NAME | 11AUG20 | IAN    | TOMMY |



NOTES: UNLESS OTHERWISE SPECIFIED

- MATERIAL:  
HOUSING: THERMOPLASTIC; BLACK  
SEAL: SILICONE RUBBER
- MODIFICATIONS: SMOOTH RING ADAPTOR (SRA);  
REDUCED DIA. WIRE SEAL
- SPECIFICATIONS:
  - OPERATING TEMPERATURE: -55°C TO +125°C.
  - DIELECTRIC WITHSTANDING VOLTAGE: LESS THAN 2 MILLIAMPS CURRENT LEAKAGE @ 1500 VOLTS AC.
  - INSULATION RESISTANCE: 1000 MEGOHM MIN @ 25°C.
  - MOISTURE RESISTANCE: IP67&IP69K ( MATED CONDITION ).
  - MATING CYCLE DURABILITY: 100 CYCLES
  - RoHS COMPLIANT
- MATING PART: AHDP04-24-27S\* (\* = SEAL TYPE )
- ALL DIMENSIONS ARE FOR REFERENCE USE ONLY.

△ CONTACT SIZE AND WIRE RANGE:

| CONTACT SIZE | MIN. INSUL O.D.   | MAX. INSUL O.D.   | TYPICAL WIRE RANGE                  | CURRENT RATING |
|--------------|-------------------|-------------------|-------------------------------------|----------------|
| 16           | 1.35 mm (.053in)  | 2.62 mm (.103 in) | 14-20 AWG (2.0-0.5mm <sup>2</sup> ) | 13 AMPS        |
| 12           | 2.46 mm (.097 in) | 4.01 mm (.158 in) | 10-14 AWG (6.0-2.0mm <sup>2</sup> ) | 25 AMPS        |

| AHDP06-24-27PR-SRA   |             | DESCRIPTION  |  | ITEM                         |
|--|-------------|--|--|------------------------------|
| QUANTITY   | PART NUMBER | MATERIALS LIST   |  |                              |
| <b>UNLESS OTHERWISE SPECIFIED</b><br>1) All dimensions are in metric(mm).<br>2) Tolerances are as follows:<br>1 PL DEC ±0.30 Fractions ±1/64<br>2 PL DEC ±0.15 Angles ±1°<br>3 PL DEC ±0.08<br>3) Note reference = △ |             |  |  |                              |
| SIGNATURES   |             | DATE   |  |                              |
| DRAWN: IANXIAO   |             | 11AUG20  |  |                              |
| CHECKED: ORIONLI   |             | 12AUG20  |  |                              |
| ENGINEER:  |             |  |  |                              |
| APPROVAL: TOMMYXIE   |             | 13AUG20  |  |                              |
| MATERIAL SPECIFICATIONS:   |             | CUSTOMER:  |  |                              |
| PROCESS SPECIFICATIONS:  |             | THIS DRAWING IS SUPPLIED FOR INFORMATION ONLY. DESIGN FEATURES, SPECIFICATIONS AND PERFORMANCE DATA SHOWN HEREON ARE THE PROPERTY OF THE AMPHENOL CORPORATION. NO RIGHTS OF REPRODUCTION ARE IMPLIED. ALL DIMENSIONS ARE SUBJECT TO NORMAL MANUFACTURING VARIATIONS. |  |                              |
| NEXT ASSY:   |             | SCALE NONE   |  |                              |
|  |             | <b>Amphenol</b><br>Sine Systems - www.amphenol-sine.com<br>44724 Morley Drive<br>Clinton Township, MI 48036  |  | <b>REVISION</b><br><b>A2</b> |
|  |             | <b>PLUG, SIZE 24, 27-PIN, REDUCED DIA. SEAL, SRA, DURAMATE AHDP SERIES</b><br><b>B C- AHDP06-24-27PR-SRA</b>   |  |                              |
|  |             | SHEET 1 OF 1   |  |                              |

TITLE: PLUG, SIZE 24, 27-PIN, REDUCED DIA. SEAL, SRA, DURAMATE AHDP SERIES  
 DWG NO.: AHDP06-24-27PR-SRA  
 REV: A2  
 SH: 1  
 OF: 1



# AT Series™ - Contact Size 16 Options

| Machined Contacts, Sockets & Pins |  |      |       |          |
|-----------------------------------|--|------|-------|----------|
| Part Number                       | Description                            | Size | AWG   | Type     |
| AT60-215-1631                     | Male Contact - Pin, Gold-plated        | 16   | 14    | Machined |
| AT62-209-1631                     | Female Contact - Socket, Gold-plated   | 16   | 14    | Machined |
| AT60-215-16141                    | Male Contact - Pin, Nickel-plated      | 16   | 14    | Machined |
| AT62-209-16141                    | Female Contact - Socket, Nickel-plated | 16   | 14    | Machined |
| AT60-202-1631                     | Male Contact - Pin, Gold-plated        | 16   | 16-20 | Machined |
| AT62-201-1631                     | Female Contact - Socket, Gold-plated   | 16   | 16-20 | Machined |
| AT60-202-16141                    | Male Contact - Pin, Nickel-plated      | 16   | 16-20 | Machined |
| AT62-201-16141                    | Female Contact - Socket, Nickel-plated | 16   | 16-20 | Machined |
| AT60-202-1631-22                  | Male Contact - Pin, Gold-plated        | 16   | 22-24 | Machined |
| AT62-201-1631-22                  | Female Contact - Socket, Gold-plated   | 16   | 22-24 | Machined |
| AT60-202-16141-22                 | Male Contact - Pin, Nickel-plated      | 16   | 22-24 | Machined |
| AT62-201-16141-22                 | Female Contact - Socket, Nickel-plated | 16   | 22-24 | Machined |

| Tooling - Machined Contacts   |             |   |
|---|-------------|---|
| Part  | Part Number | Description   |
|  | CA-5D12     | Universal Hand Crimp Tool, Size 12/16/20 (Machined contacts only) |
|  | CA-5E12     | Pneumatic Crimp Tool, Size 12/16/20 (Machined contacts only)      |

| Contact Removal Tools   |               |   |
|---|---------------|---|
| Part  | Part Number   | Description   |
|  | ATRT-100      | Used for removal of contacts for A Series™ products |
|  | AT11-310-1605 | Contact Removal Tool, Plastic, Size 16              |
|  | A114017       | Sealing Plug, Size 16, White                        |

| Stamped & Formed Contacts, Sockets & Pins |  |      |       |                  |
|---|--|------|-------|------------------|
| Part Number                               | Description                            | Size | AWG   | Type             |
| AT60-14-0144                              | Male Contact - Pin, Gold-plated        | 16   | 14-16 | Stamped & Formed |
| AT62-14-0144                              | Female Contact - Socket, Gold-plated   | 16   | 14-16 | Stamped & Formed |
| AT60-14-0122                              | Male Contact - Pin, Nickel-plated      | 16   | 14-16 | Stamped & Formed |
| AT62-14-0122                              | Female Contact - Socket, Nickel-plated | 16   | 14-16 | Stamped & Formed |
| AT60-16-0144                              | Male Contact - Pin, Gold-plated        | 16   | 16-18 | Stamped & Formed |
| AT62-16-0144                              | Female Contact - Socket, Gold-plated   | 16   | 16-18 | Stamped & Formed |
| AT60-16-0122                              | Male Contact - Pin, Nickel-plated      | 16   | 16-18 | Stamped & Formed |
| AT62-16-0122                              | Female Contact - Socket, Nickel-plated | 16   | 16-18 | Stamped & Formed |
| AT60-16-0644                              | Male Contact - Pin, Gold-plated        | 16   | 18-20 | Stamped & Formed |
| AT62-16-0644                              | Female Contact - Socket, Gold-plated   | 16   | 18-20 | Stamped & Formed |
| AT60-16-0622                              | Male Contact - Pin, Nickel-plated      | 16   | 18-20 | Stamped & Formed |
| AT62-16-0622                              | Female Contact - Socket, Nickel-plated | 16   | 18-20 | Stamped & Formed |
| AT60-16-0844                              | Male Contact - Pin, Gold-plated        | 16   | 20-22 | Stamped & Formed |
| AT62-16-0844                              | Female Contact - Socket, Gold-plated   | 16   | 20-22 | Stamped & Formed |
| AT60-16-0822                              | Male Contact - Pin, Nickel-plated      | 16   | 20-22 | Stamped & Formed |
| AT62-16-0822                              | Female Contact - Socket, Nickel-plated | 16   | 20-22 | Stamped & Formed |



| Tooling - Stamped & Formed Contacts   |             |   |
|---|-------------|---|
| Part  | Part Number | Description   |
|   | MFX-3950    | Crimp Die - Size 16, 18-20AWG (S&F contacts only)       |
|   | MFX-3953    | Crimp Die - Size 16, 16-18AWG (S&F contacts only)       |
|   | MFX-3975    | Crimp Die - Size 16, 14-16AWG (S&F contacts only)       |
|   | MFX-3990    | Crimp Die - Size 16, 20-22AWG (S&F contacts only)       |
|  | ATT-16-00   | Hand Crimp Tool - Size 16, 14-16AWG (S&F contacts only) |
|   | ATT-16-01   | Hand Crimp Tool - Size 16, 18-20AWG (S&F contacts only) |
|   | ATT-1612-03 | Hand Crimp Tool - Size 16, 20-22AWG (S&F contacts only) |




**Amphenol Sine Systems**  
 44724 Morley Drive  
 Clinton Township, MI 48036 USA  
[www.amphenol-sine.com](http://www.amphenol-sine.com)  
 09/2021

# ATP Series™ - Contact Size 12 Options



| Machined Contacts, Sockets & Pins |  |      |       |          |
|-----------------------------------|--|------|-------|----------|
| Part Number                       | Description                            | Size | AWG   | Type     |
| AT60-204-12141-10                 | Male Contact - Pin, Nickel-plated      | 12   | 10-12 | Machined |
| AT62-203-12141-10                 | Female Contact - Socket, Nickel-plated | 12   | 10-12 | Machined |
| AT60-220-1231                     | Male Contact - Pin, Gold-plated        | 12   | 12-14 | Machined |
| AT62-210-1231                     | Female Contact - Socket, Gold-plated   | 12   | 12-14 | Machined |
| AT60-204-12141                    | Male Contact - Pin, Nickel-plated      | 12   | 12-14 | Machined |
| AT62-203-12141                    | Female Contact - Socket, Nickel-plated | 12   | 12-14 | Machined |

| DiagnosticGrade™ Machined Contacts, Sockets & Pins   |  |      |     |          |
|--|--|------|-----|----------|
| • Smaller AWG for Diagnostic Applications • Gold-plated • Increased Mating Cycles • Cost-effective |  |      |     |          |
| Part Number  | Description  | Size | AWG | Type     |
| 65-54749   | Male Contact - DiagnosticGrade™, Pin, Gold-plated      | 12   | 20  | Machined |
| AT62-210-1231-1820   | Female Contact - DiagnosticGrade™, Socket, Gold-plated | 12   | 20  | Machined |

| Tooling - Machined Contacts   |             |   |
|---|-------------|---|
| Part  | Part Number | Description   |
|  | CA-5D12     | Universal Hand Crimp Tool, Size 12/16/20 (Machined contacts only) |
|  | CA-5E12     | Pneumatic Crimp Tool, Size 12/16/20 (Machined contacts only)      |

| Contact Removal Tools   |               |   |
|---|---------------|---|
| Part  | Part Number   | Description   |
|  | ATRT-100      | Used for removal of contacts for A Series™ products |
|  | AT11-337-1205 | Contact Removal Tool, Plastic, Size 12              |
|  | A114017       | Sealing Plug, Size 12, White                        |

| Stamped & Formed Contacts, Sockets & Pins |  |      |       |                  |
|---|--|------|-------|------------------|
| Part Number                               | Description                            | Size | AWG   | Type             |
| AT60-12-0244                              | Male Contact - Pin, Gold-plated        | 12   | 10-12 | Stamped & Formed |
| AT62-12-0244                              | Female Contact - Socket, Gold-plated   | 12   | 10-12 | Stamped & Formed |
| AT60-12-0222                              | Male Contact - Pin, Nickel-plated      | 12   | 10-12 | Stamped & Formed |
| AT62-12-0222                              | Female Contact - Socket, Nickel-plated | 12   | 10-12 | Stamped & Formed |
| AT60-12-0144                              | Male Contact - Pin, Gold-plated        | 12   | 12-14 | Stamped & Formed |
| AT62-12-0144                              | Female Contact - Socket, Gold-plated   | 12   | 12-14 | Stamped & Formed |
| AT60-12-0166                              | Male Contact - Pin, Nickel-plated      | 12   | 12-14 | Stamped & Formed |
| AT62-12-0166                              | Female Contact - Socket, Nickel-plated | 12   | 12-14 | Stamped & Formed |

| Tooling - Stamped & Formed Contacts   |             |   |
|---|-------------|---|
| Part  | Part Number | Description   |
|  | MXF-3973    | Crimp Die - Size 12 (S&F contacts only)                       |
|   | MXF-3985    | Crimp Die - Size 12 (S&F contacts only) 10-12AWG -02XX Series |
|  | ATT-12-00   | Hand Crimp Tool - Size 12, 12AWG (S&F contacts only)          |

**Amphenol Sine Systems**  
 44724 Morley Drive  
 Clinton Township, MI 48036 USA  
[www.amphenol-sine.com](http://www.amphenol-sine.com)  
 09/2021