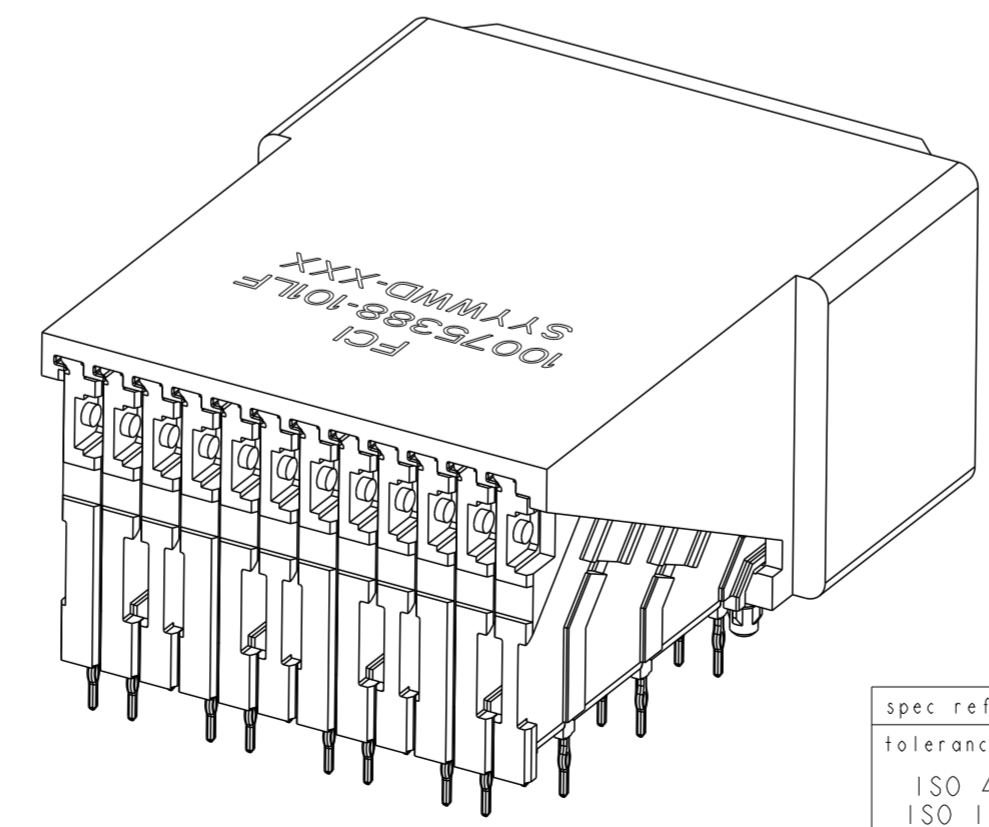
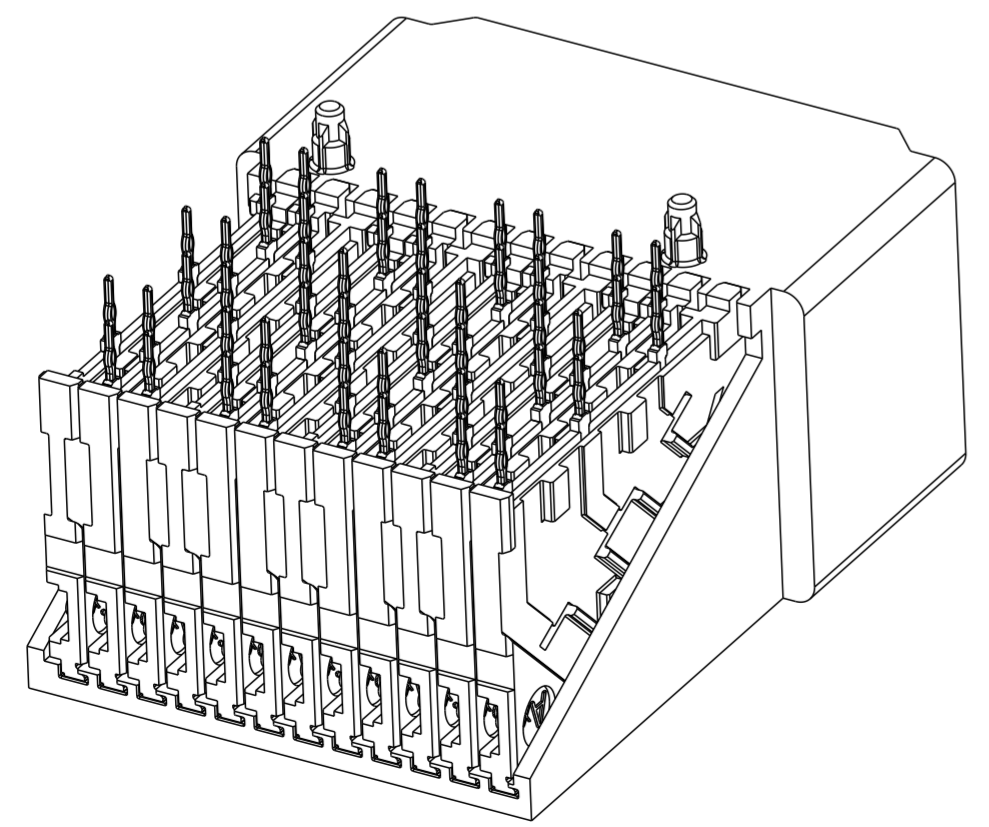
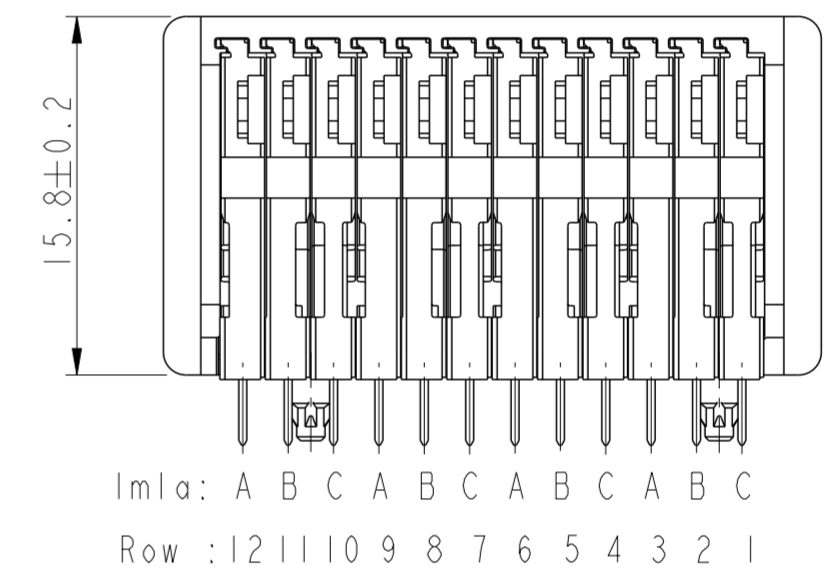
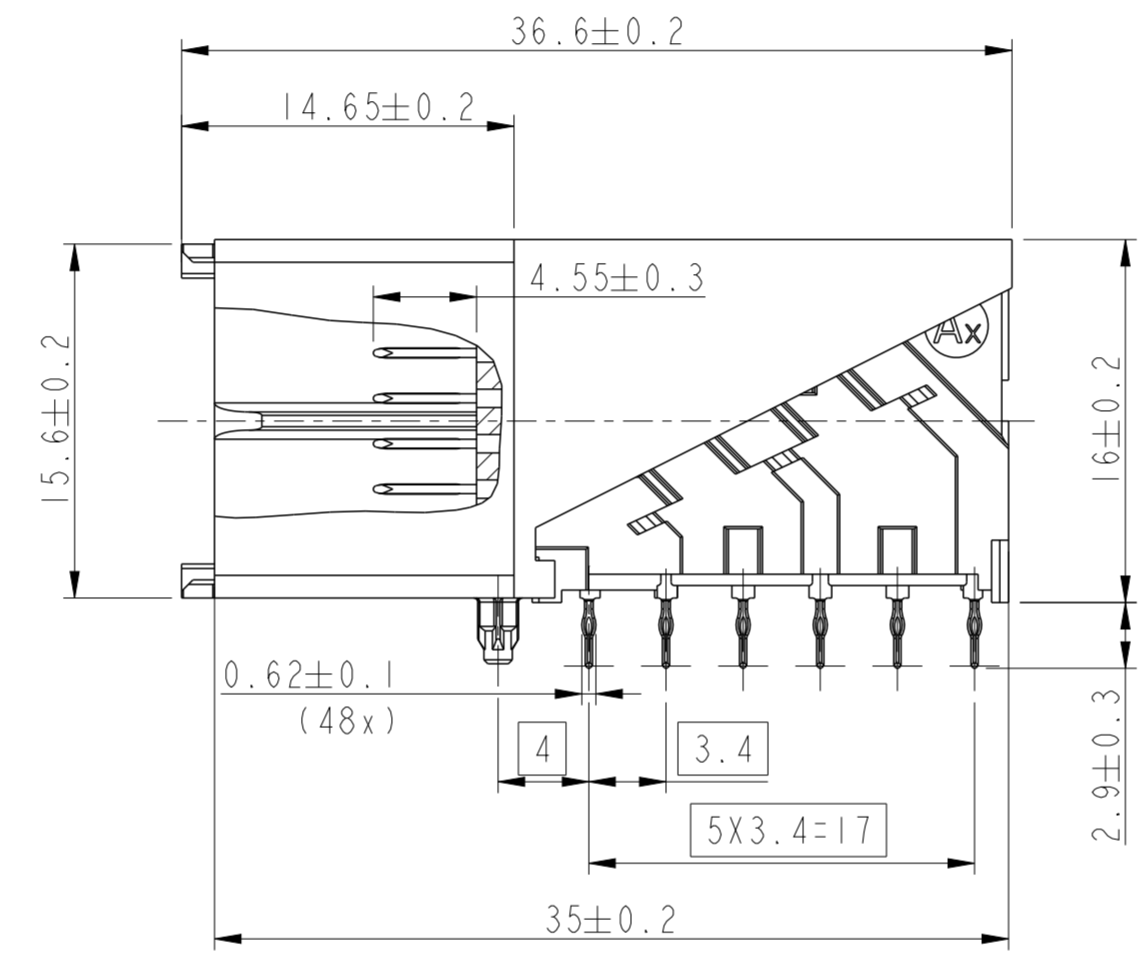
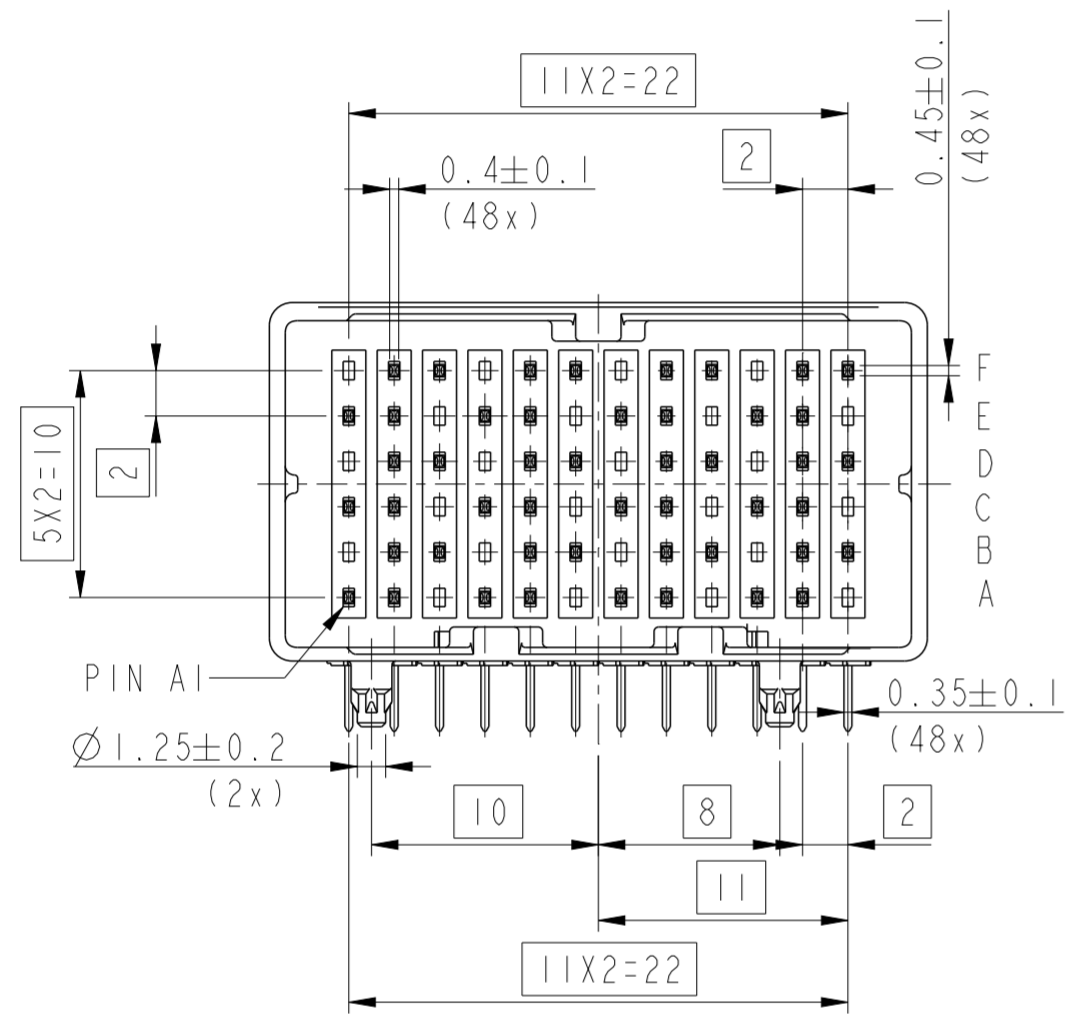
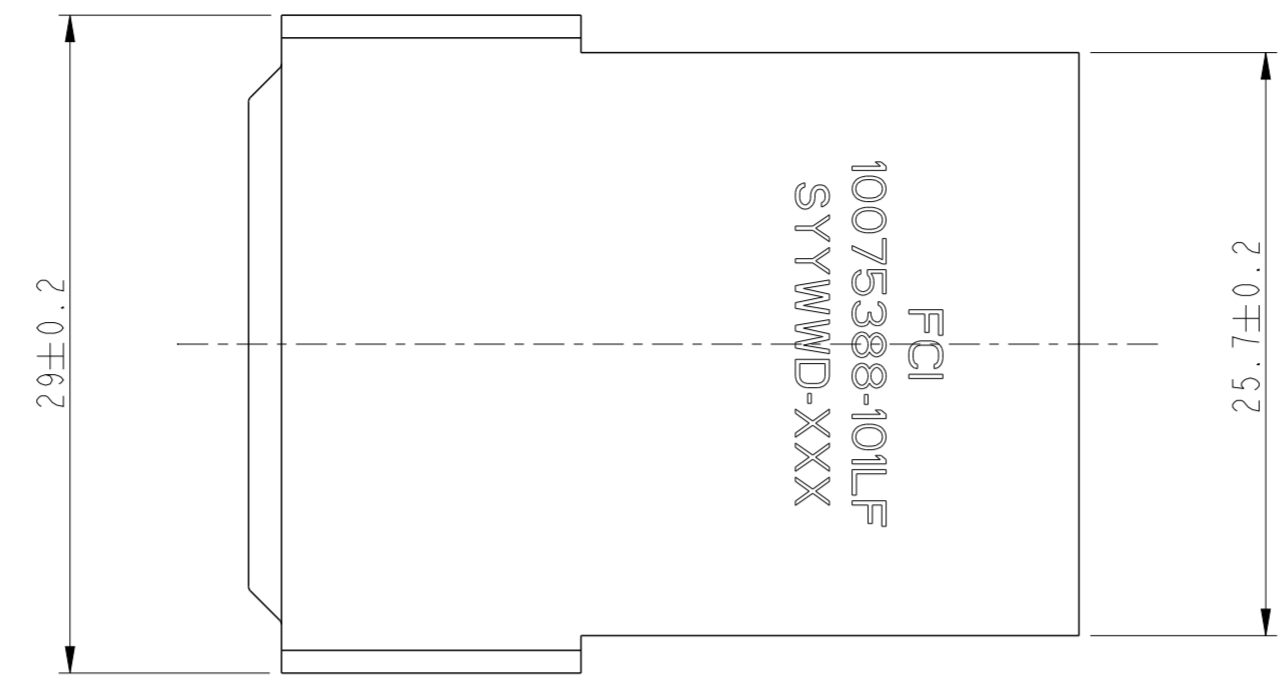


PRODUCT NUMBER
10075388-X01(L)LF

RA HEADER BOARD CONNECTOR
24 PAIRS ON 2MM PITCH

L REFER LUBRICATED (OPTIONAL) \triangle
SEE NOTE 4

X REFER PLATING PERFORMANCE \triangle
SEE NOTE 4

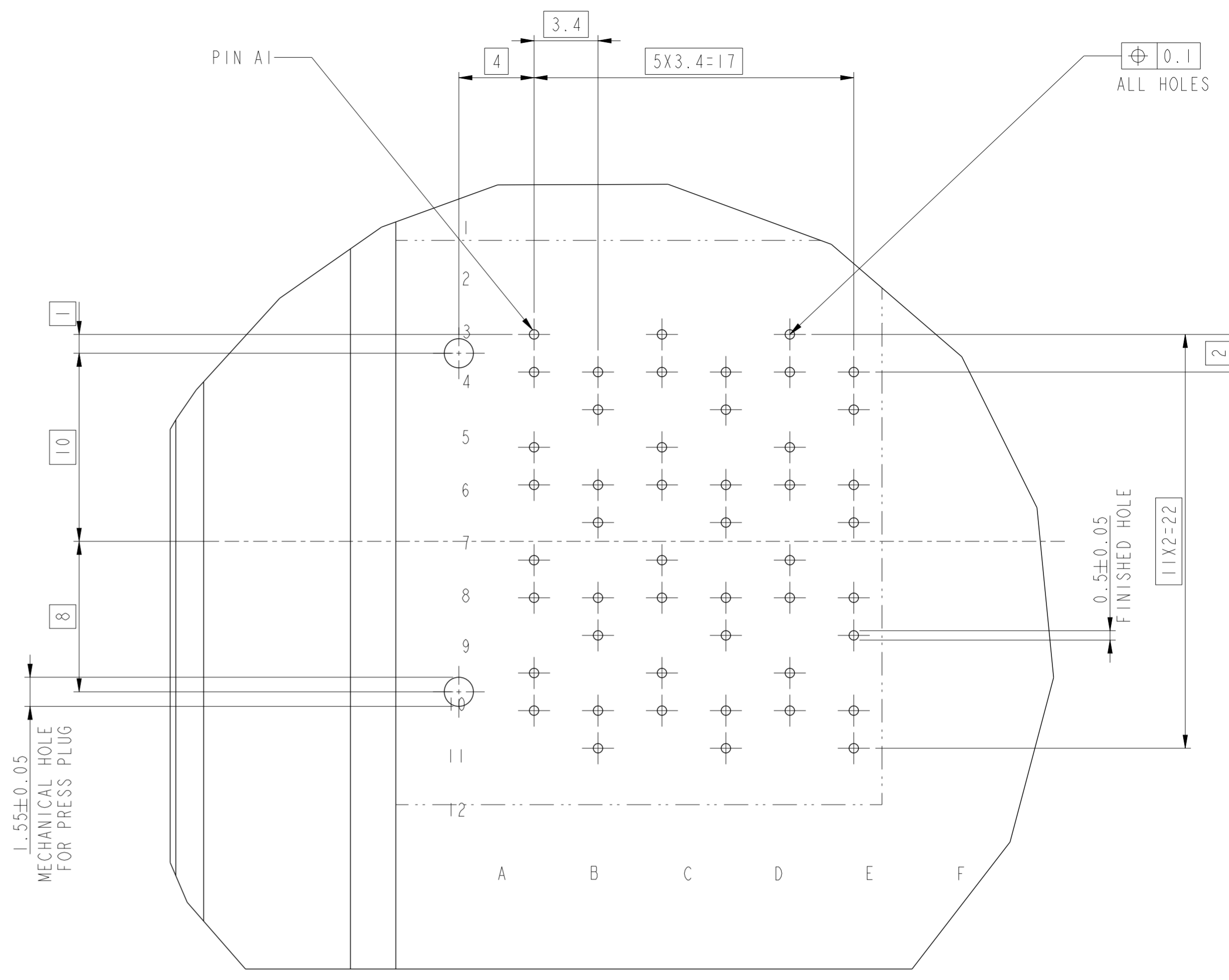
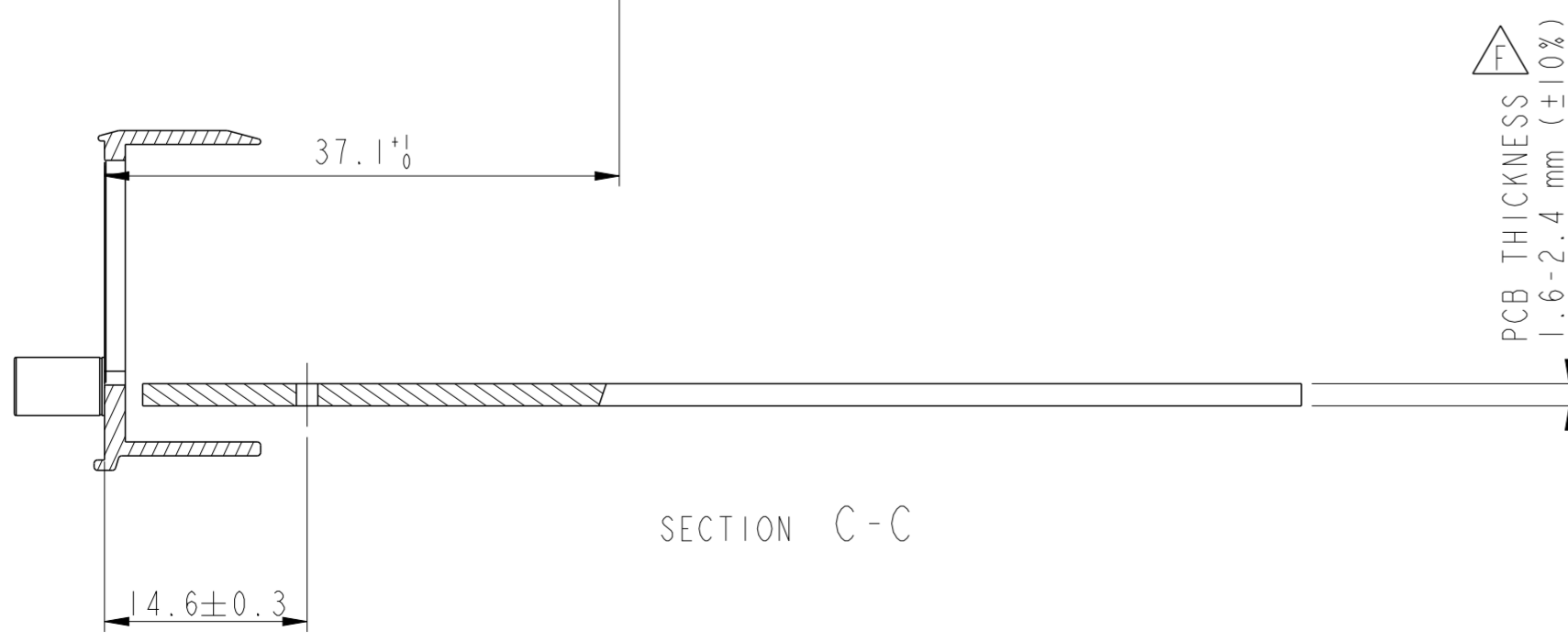
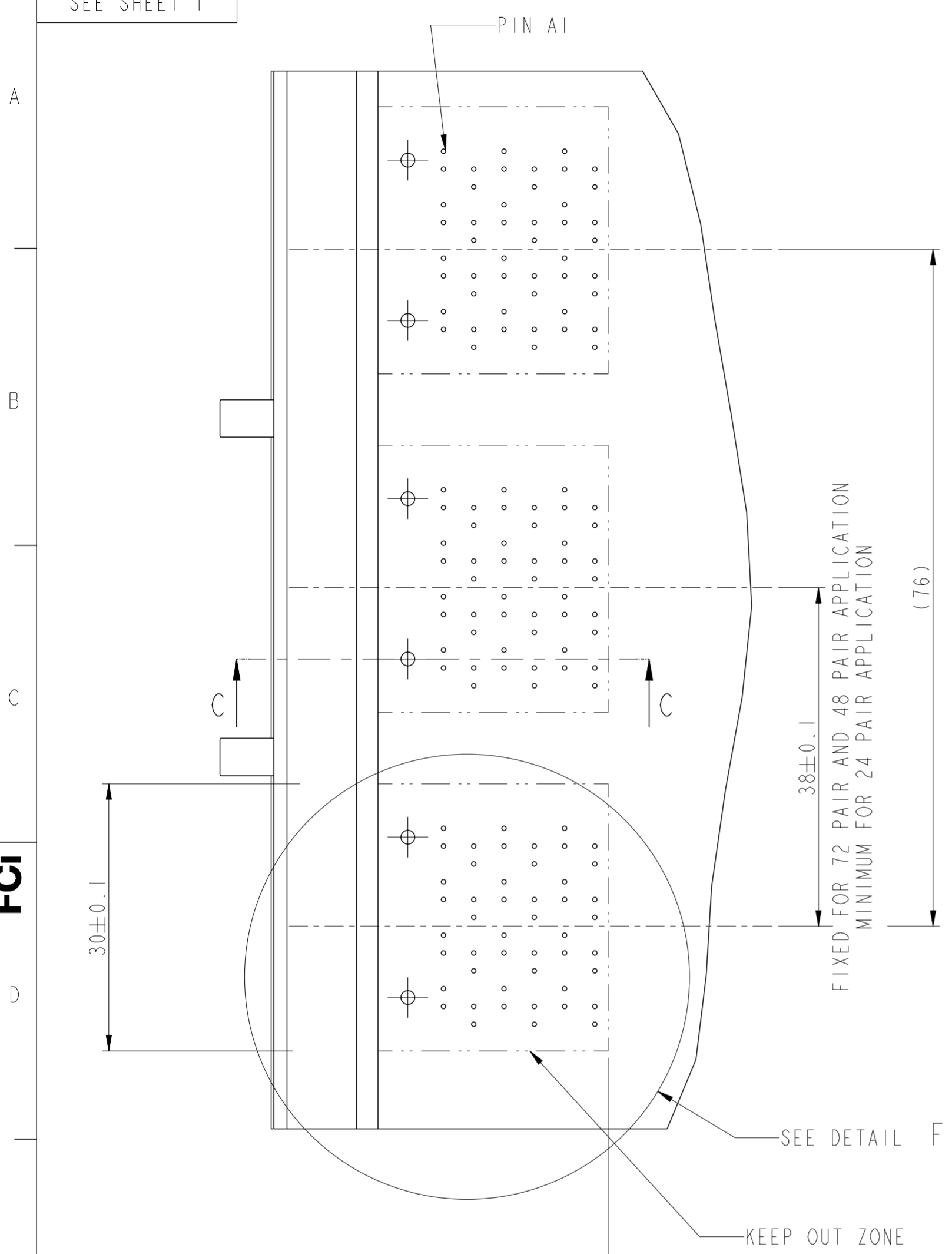


spec ref	-	dr	P-Mathew Nebu	2011/05/28	projection	MM	size	A2	scale	3:1
tolerance std	ISO 406 ISO 1101	eng	Rahul Mohan-M	2021/06/24			ecn no	ELX-41332-1		
TOLERANCES UNLESS OTHERWISE SPECIFIED		chr	-	appr			Kuriakosa, San	2021/08/16	product family	METRAL
surface	linear	0.X	±	Amphenol FCI amphenol-icc.com	title RA HEADER BOARD CONN. METRAL HDXS BOARD CONNECTOR		cat. no.	-		
	angular	0°	±				Product - Customer Drw	sheet 1 of 4		

Amphenol FCI

© 2020 Amphenol Corporation

PRODUCT NUMBER
SEE SHEET 1



PCB THICKNESS
1.6-2.4 mm ($\pm 10\%$)

DETAIL F
SCALE 5:1

SIGNAL PTH DETAILS	
DRILLED HOLE	0.58-0.62 mm
COPPER PLATING	25-50 μ m
TIN PLATING	0.8-1.2 μ m
FINISHED HOLE DIA.	0.46-0.55 mm

spec ref	-	dr	P-Mathew Nebu	2011/05/28	projection	MM	size	A2	scale	2:1
tolerance std	ISO 406 ISO 1101	eng	Rahul Mohan-M	2021/06/24			ecn no	ELX-41332-1		
TOLERANCES UNLESS OTHERWISE SPECIFIED		chr	-	appr				Kuriakose, San	2021/08/16	product family
surface	ISO 1302	linear	0.X	\pm			RA HEADER BOARD CONN. METRAL HDXS BOARD CONNECTOR		dwg no	10075388
		angular	0°	\pm	amphenol-icc.com		cat. no.		Product - Customer Drw	sheet 2 of 4

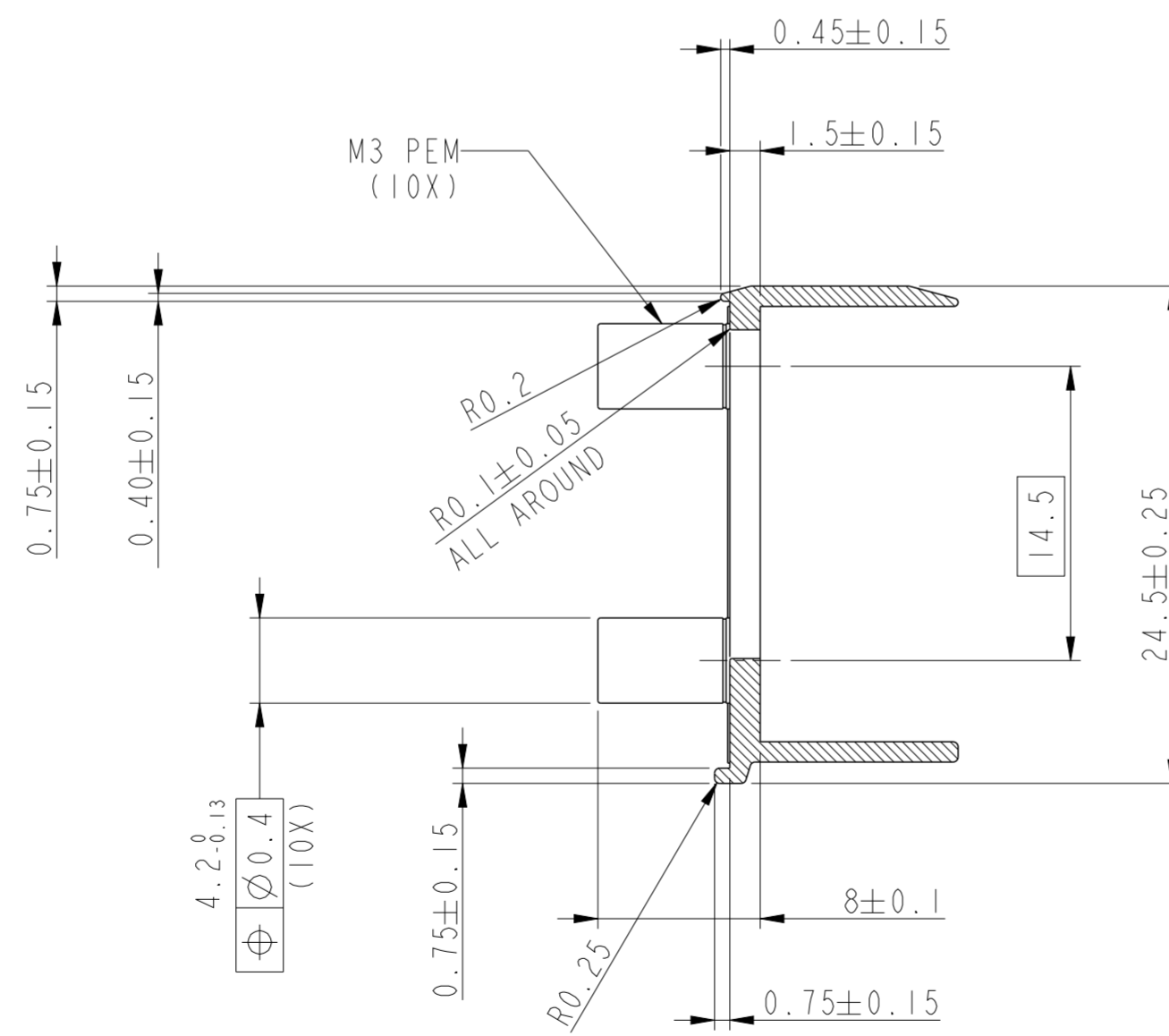
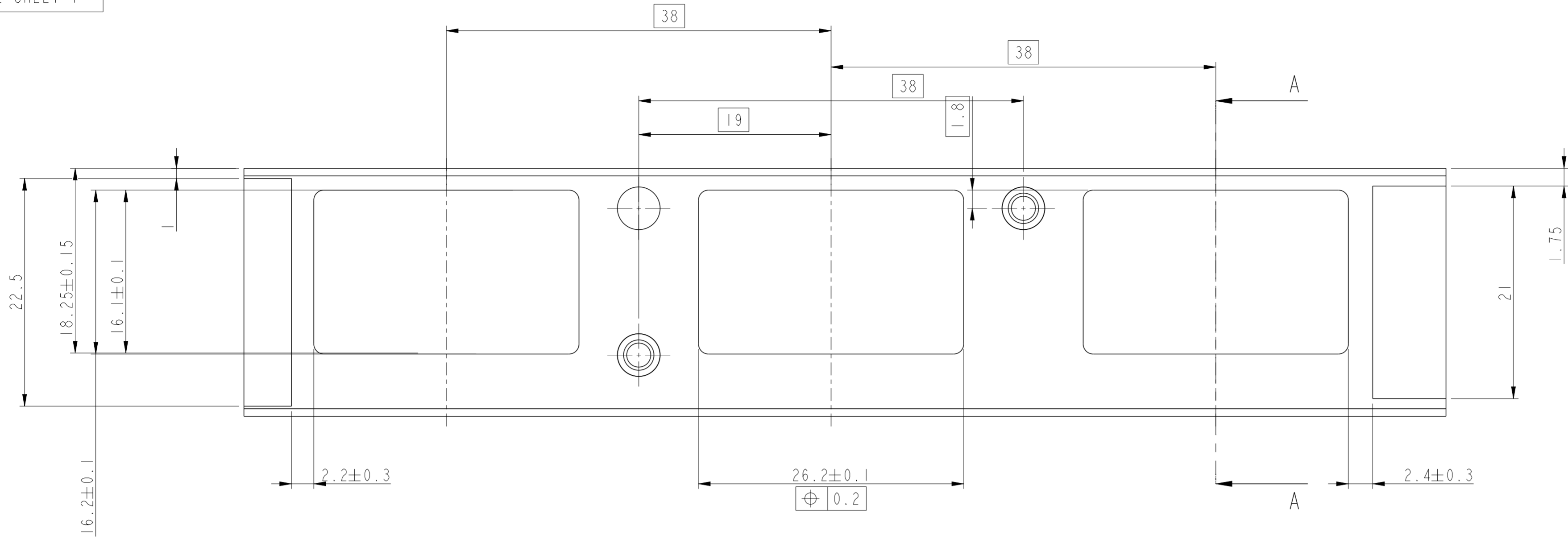
PDS: Rev :H

STATUS:Released

Printed: Aug 16, 2021

© 2020 Amphenol Corporation

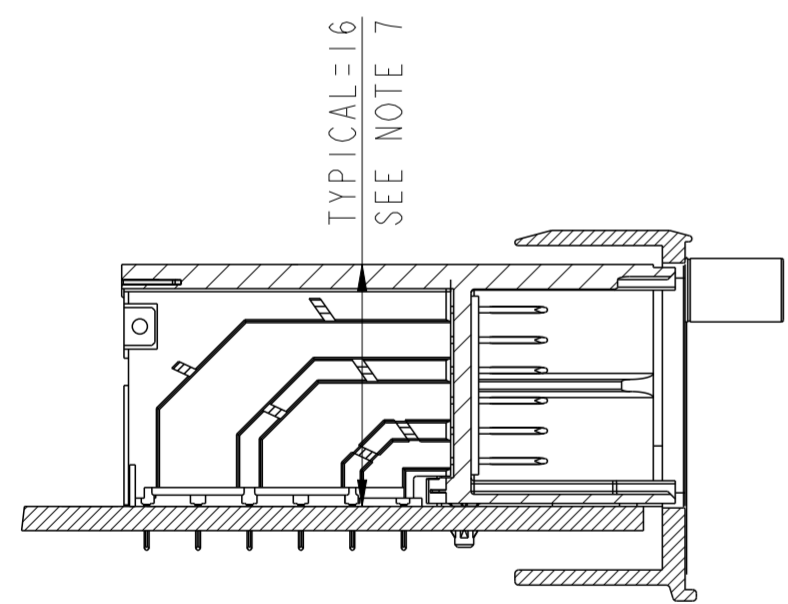
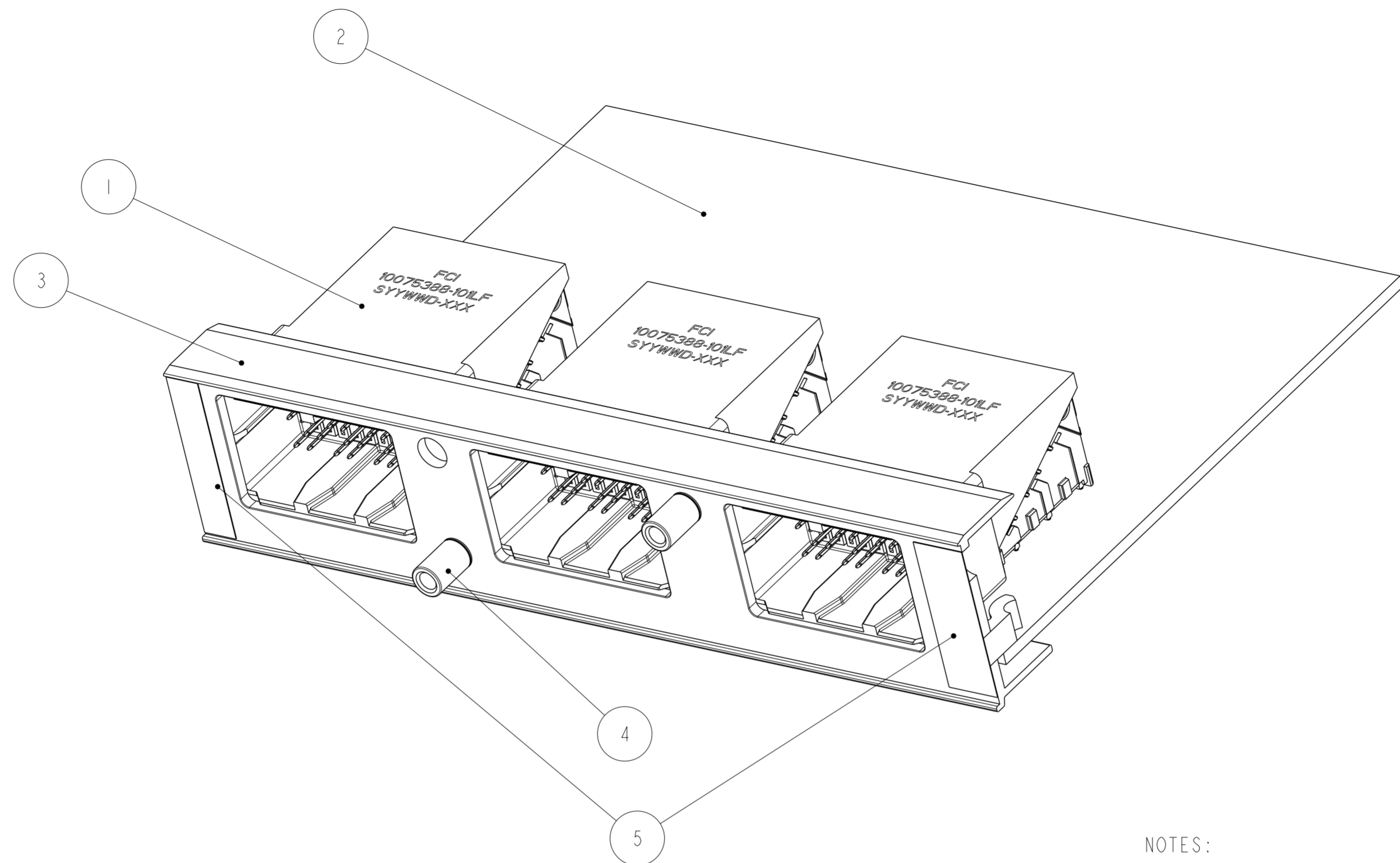
PRODUCT NUMBER
SEE SHEET 1



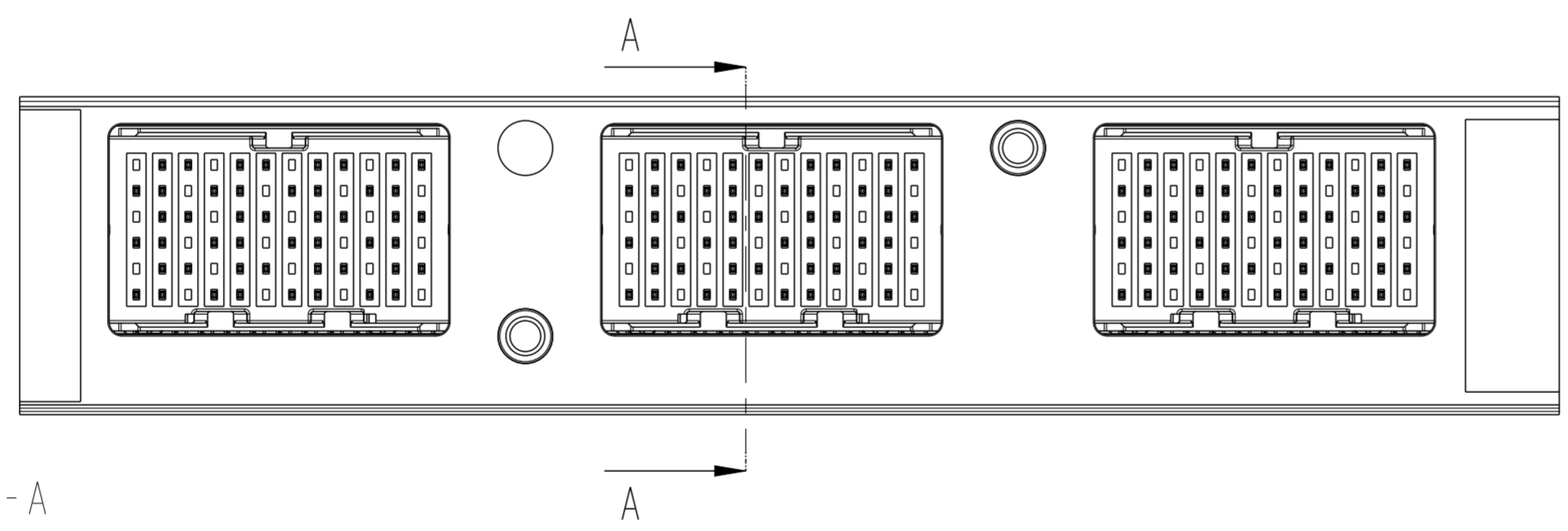
SECTION A-A
SCALE 3:1

spec ref	-	dr	P-Mathew Nebu	2011/05/28	projection	MM	size	A2	scale	3:1			
tolerance std	ISO 406 ISO 1101	eng	Rahul Mohan-M	2021/06/24			ecn no	ELX-41332-1					
TOLERANCES UNLESS OTHERWISE SPECIFIED		chr	-	appr			Kuriakosa, San	2021/08/16	product family	rel level	Released		
surface	linear	0.X	±			RA HEADER BOARD CONN. METRAL HDXS BOARD CONNECTOR		dwg no	10075388	rev	H		
	angular	0°	±					amphenol-icc.com	cat. no.	Product - Customer Drw	sheet 3 of 4		

PRODUCT NUMBER
SEE SHEET 1



SECTION A-A
SCALE 2:1



NOTES:

1. Product Specification : GS-12-485
2. Application Specification : GS-20-091
3. Packaging Specification : GS-14-1265
4. For plating performance level refer drawing # 10159408.
5. This product meets European Union Directives and other country regulations as described in GS-47-0004
6. Insertion depth for flat-rock insertion. See Product Specification for more details
7. To remove Board Connector from PCB, use removal tool 10092444-1001 acc. to instruction 10097232;
8. Materials :
 Housing : Themoplastic UL94-V0.
 IMLA : Themoplastic UL94-V0. \triangle
 Leadframe : Copper alloy \triangle
9. A \triangle symbol will be next to any dimension, view, or note which has been modified with the current drawing revision.

S.No	DESCRIPTION
1	BOARD CONNECTOR
2	PCB
3	FRONT PANEL
4	PEM
5	STICKERS

spec ref	-	dr	P-Mathew Nebu	2011/05/28	projection		size	A2	scale	1:1
tolerance std	ISO 406 ISO 1101	eng	Rahul Mohan-M	2021/06/24	chr	-	ecn no	ELX-41332-1	rel level	Released
TOLERANCES UNLESS OTHERWISE SPECIFIED		appr	Kuriakosa, San	2021/08/16	product family	-	cat. no.	RA HEADER BOARD CONN. METRAL HDXS BOARD CONNECTOR	dwg no	10075388
surface	linear	angular	0°	±	0.X	±	0.XX	±	0.XXX	±
ISO 1302	angular	0°	±	Amphenol FCI	amphenol-icc.com	cat. no.	-	Product - Customer Drw	sheet 4 of 4	

© 2020 Amphenol Corporation

Creo File:ELX-RC-ACC_REV F_2020-12-21