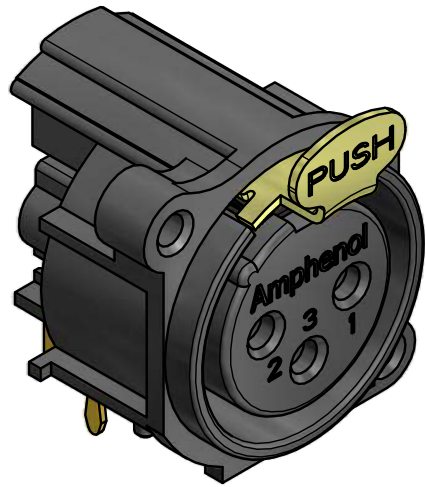
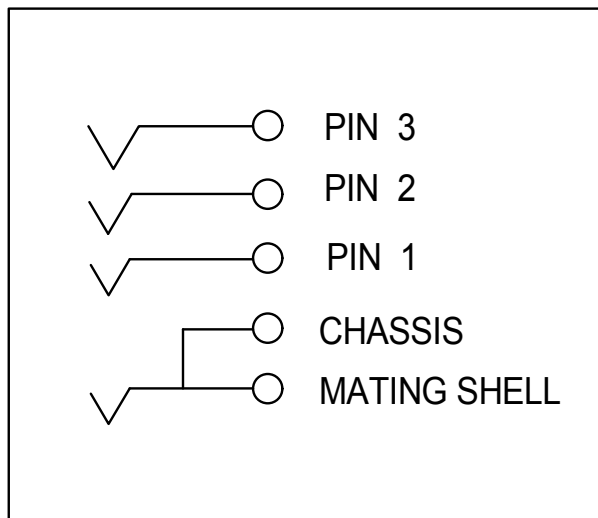
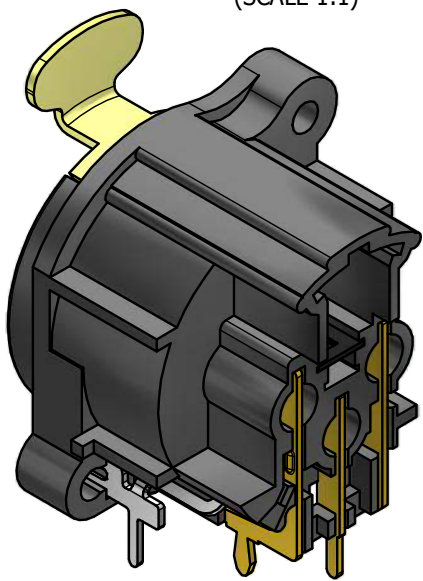
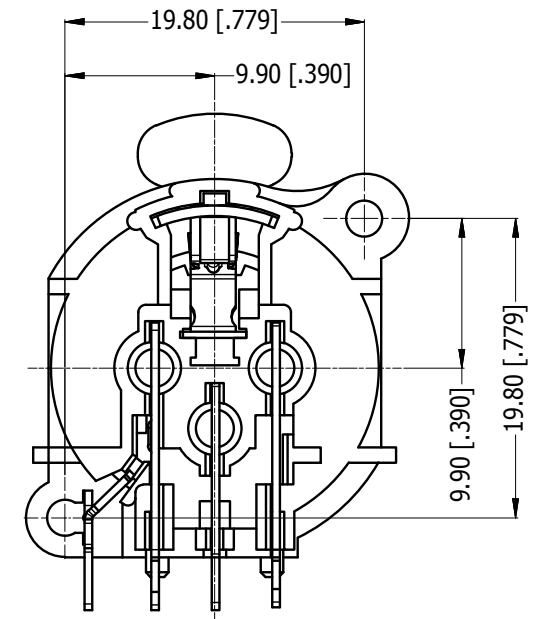
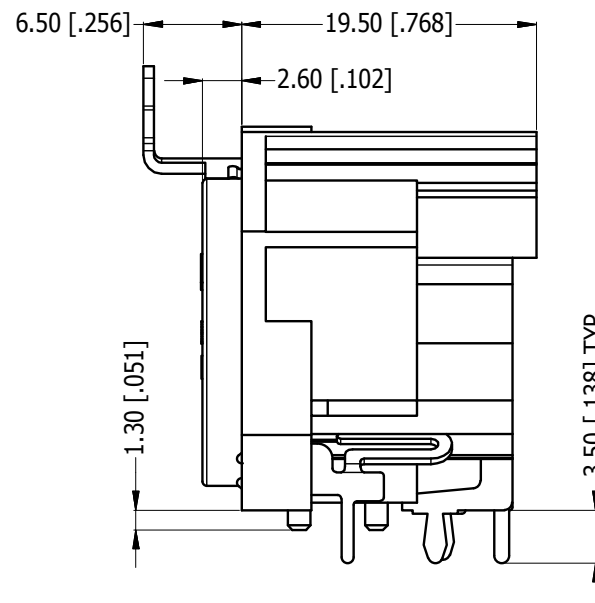
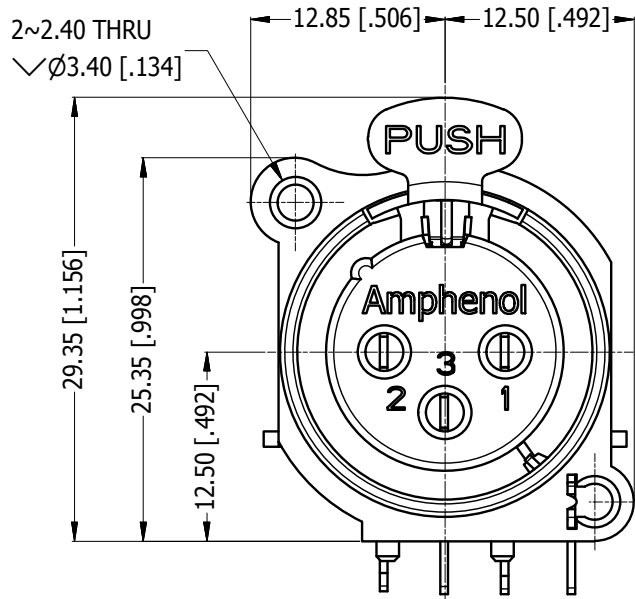


LEGEND = KEY PRODUCT CHARACTERISTICS

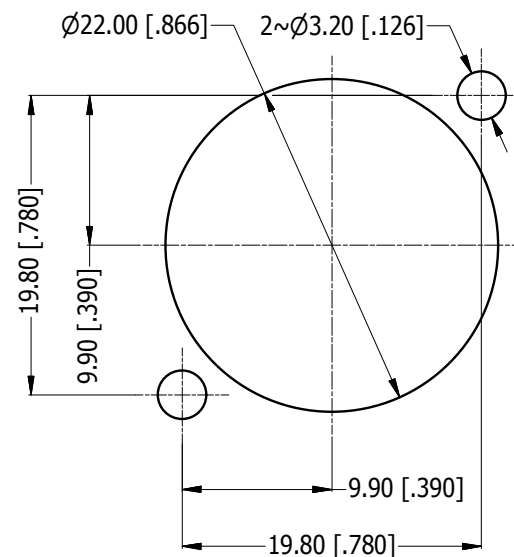
REVISION HISTORY				
REV	DESCRIPTION	DATE	BY	CHG/No
0	FIRST ISSUE	20/08/2014	MH	---



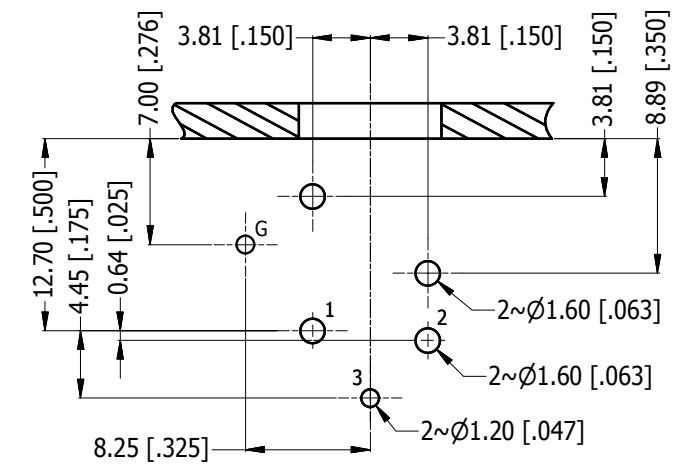
ISO VIEW
(SCALE 1:1)



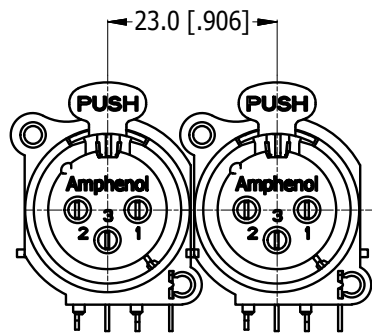
SCHEMATIC CHART



PANEL CUT OUT
REAR VIEW



PCB-LAYOUT
COMPONENT SIDE
TOLERANCE: $\pm 0.05\text{mm}$ [.002"]



MIN MOUNTING PITCH
SCALE 1:1

UNLESS OTHERWISE SPECIFIED TOLERANCE TO BE		THIS DOCUMENT IS THE PROPERTY OF AMPHENOL AUSTRALIA PTY. LTD. NO PART THEREOF MAY BE REPRODUCED AND USED WITHOUT THE PRIOR WRITTEN CONSENT OF THE OWNER				Amphenol Amphenol Australia Pty.Ltd, 22 Industry Blvd, Carrum Downs, VIC 3201	
LINEAR	ANGULAR	MATERIAL:	DRN:	DATE:	TITLE:	PART No:	
X ±0.5	X' ±1	REFER TO COMPONENT	MH	20/08/14	AC3FAH2-AU-PRE	AC3FAH2-AU-PRE	
X.X ±0.2	X.X' ±30'	REFER TO COMPONENT	CKD:	DATE:	HORIZONTAL FEMALE	DRAWING NO.	
X.XX ±0.1	X.XX" ±15'	REFER TO COMPONENT	M.H	20/08/14	CUSTOMER DRAWING	55011036-000-2	
BREAK ALL SHARP EDGES AND REMOVE ALL BURRS		FINISH: REFER TO COMPONENT	APP'D:	DATE:	SHEET		
DO NOT SCALE			P.M	20/08/14	2/2		
DIMENSIONS IN MILLIMETRES		THIRD ANGLE PROJECTION	SCALE:	SIZE:	CAD FILE		
			2:1	A3	55011036000220		